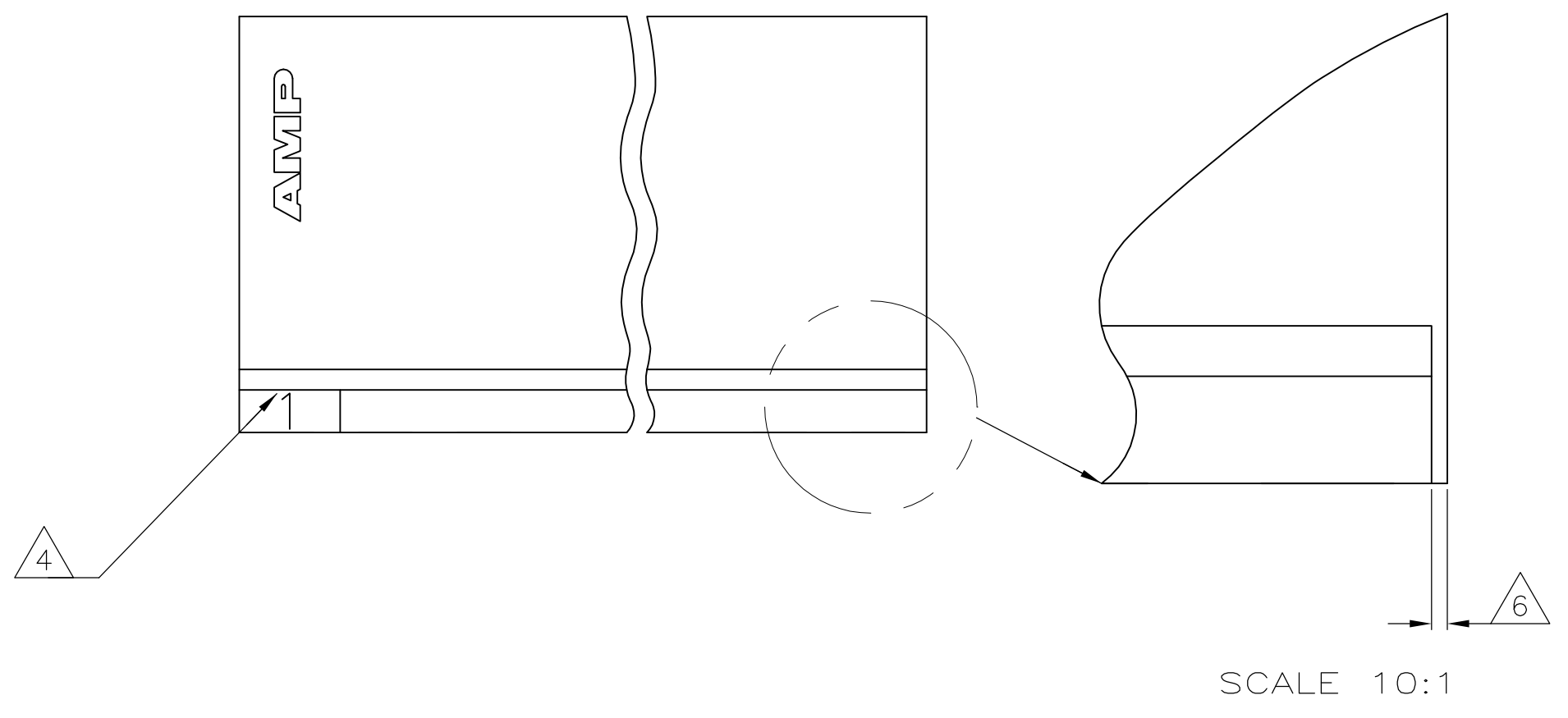
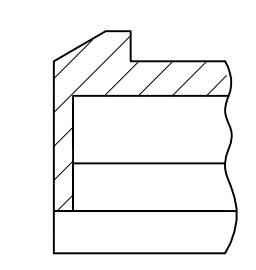
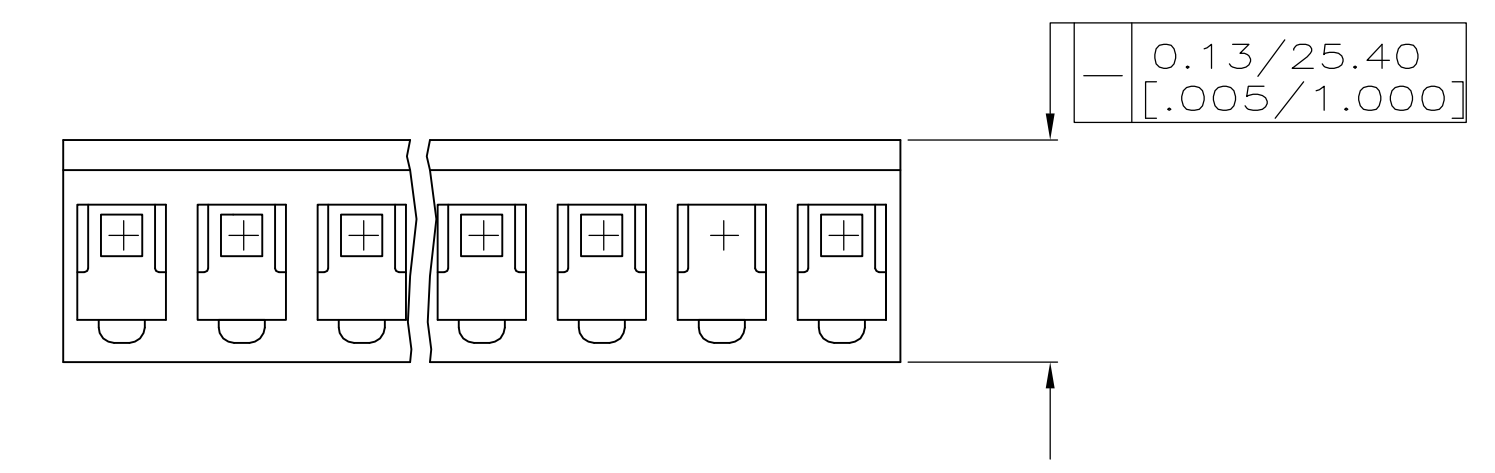
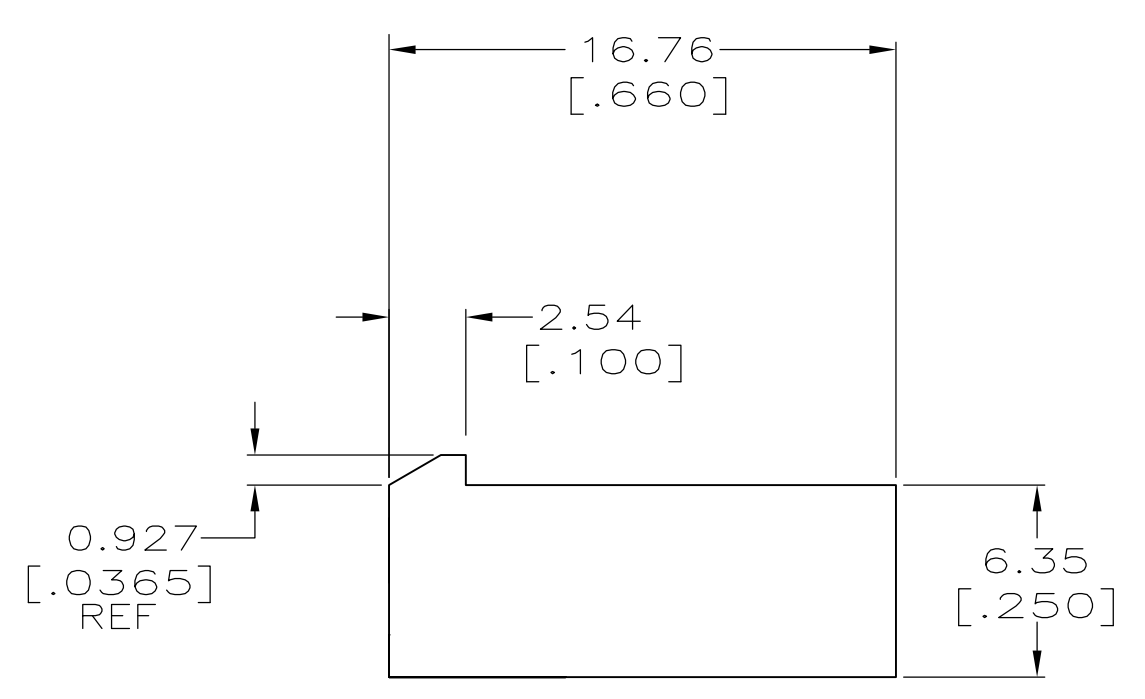
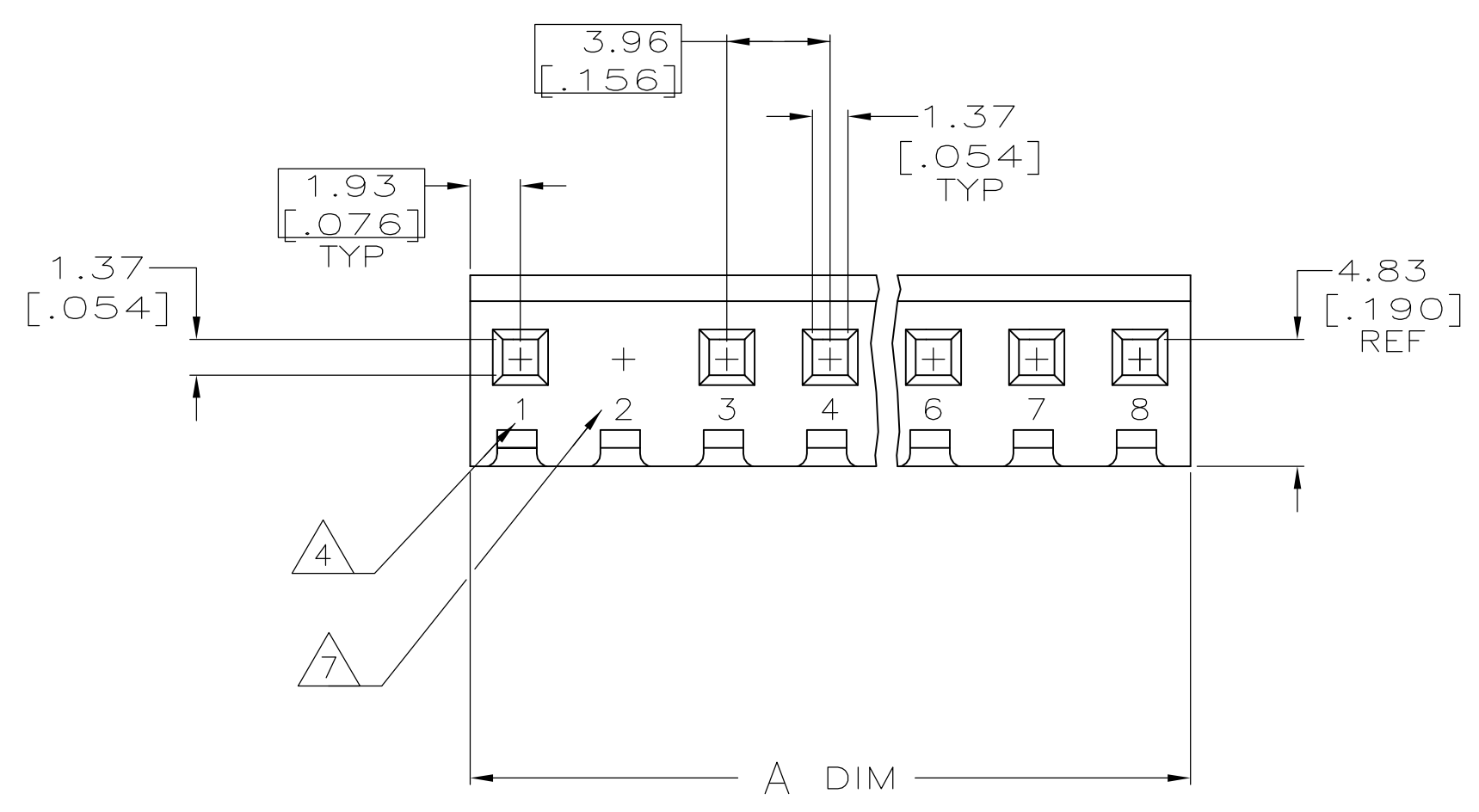


LOC		DIST		REVISIONS			
CM	0	P	LTR	DESCRIPTION	DATE	DWN	APVD
C				REVISED PER ECO-12-007807	06AUG12	KH	SM

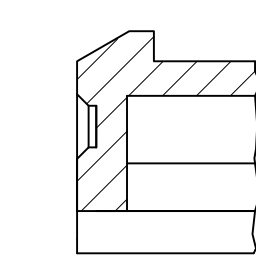


SCALE 10:1

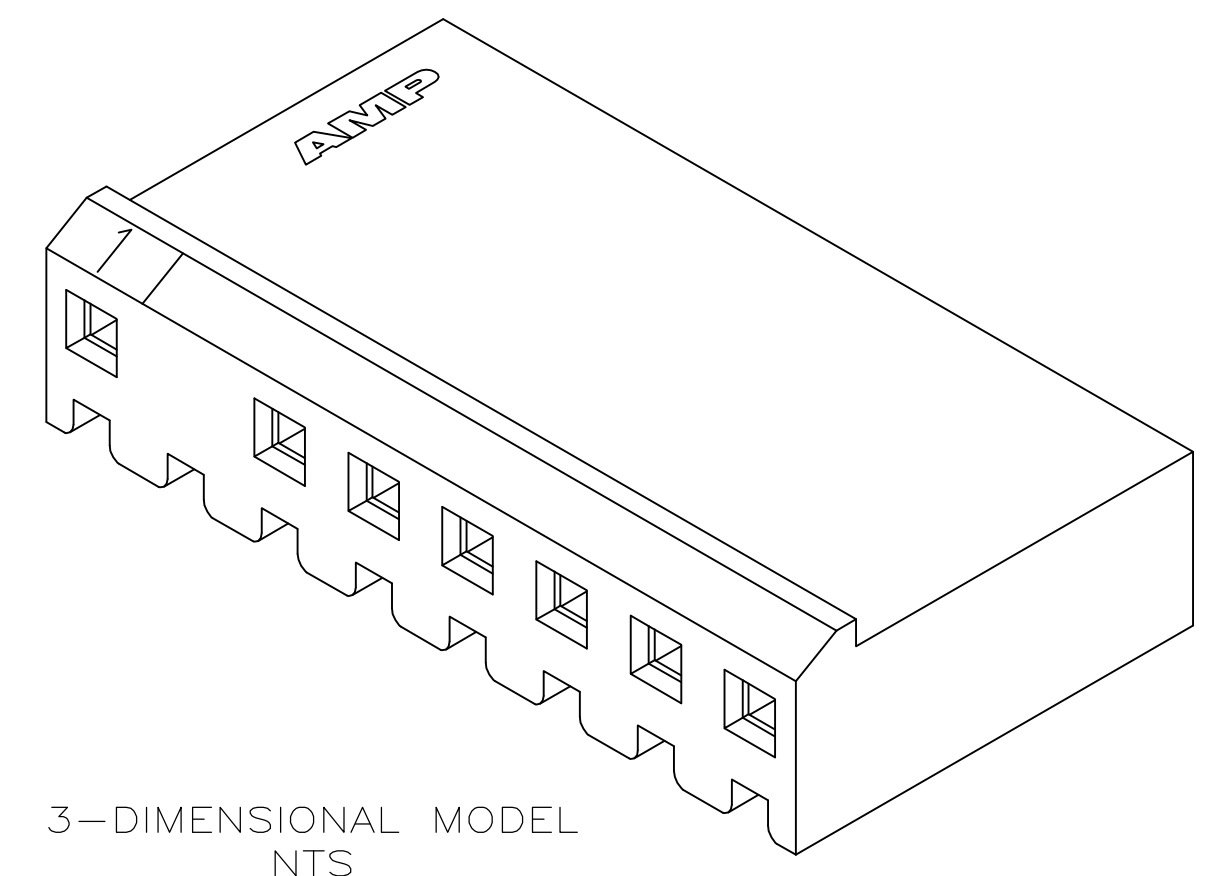
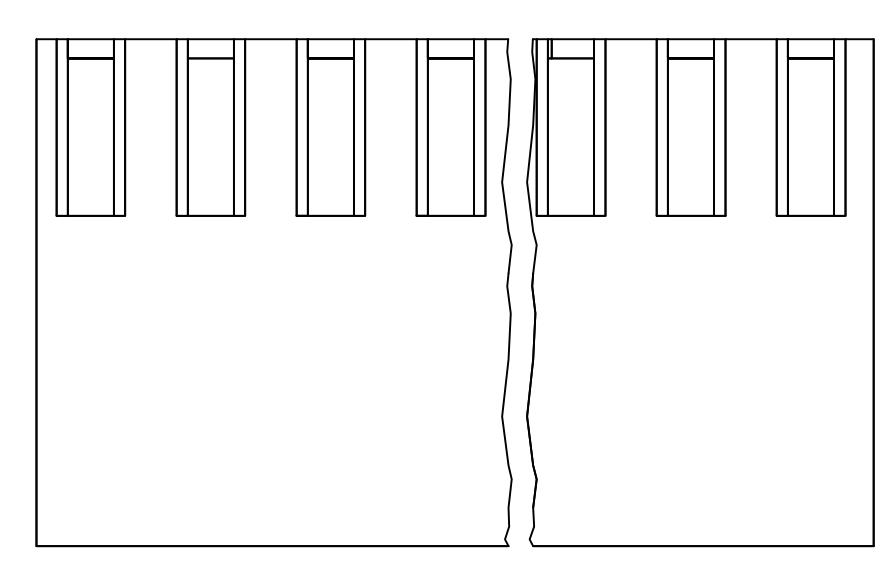
- 1 UNIT ACCEPTS 1.14 [.045] SQUARE OR ROUND POST.
- 2 UNIT ACCEPTS STANDARD SL-156 CONTACTS.
- 3 UNIT ACCEPTS KEYING PLUG 640254-1 AND KEYING PIN 640255-1.
- 4 CIRCUIT I.D. NUMBER(S), TO BE LOCATED SEQUENTIALLY AS SHOWN OR ONLY NO.1 CIRCUIT PLACED ON LOCKING RAMP.
- 5 DIMENSIONS IN BRACKETS ARE IN INCHES.
- 6 OPTIONAL CONSTRUCTION (BOTH CORNERS) UP TO 1.27 [.050].
- 7 CIRCUIT 2 IS MOLDED CLOSED, USING EITHER OPTION A OR OPTION B.



OPTION A



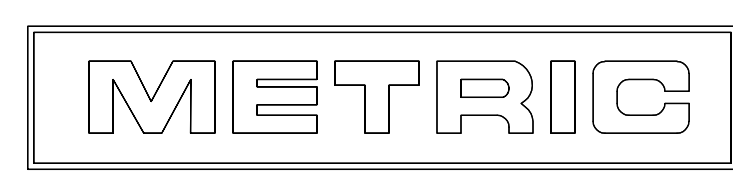
OPTION B



3-DIMENSIONAL MODEL NTS

COLOR	LENGTH	NO. OF CIRCuits	PART NUMBER
ORANGE	11.81 [.465]	3	9-794115-3
NATURAL	75.31 [2.965]	19	1-794115-9
NATURAL	29.85 [1.175]	11	1-794115-1
NATURAL	31.65 [1.246]	8	794115-8
NATURAL	11.81 [.465]	3	794115-3
COLOR	A ±0.25 [.010]	NO. OF CIRCuits	PART NUMBER

PRELIMINARY, NOT FOR PRODUCTION
PRELIMINARY, NOT FOR PRODUCTION



THIS DRAWING IS A CONTROLLED DOCUMENT.		DIN 17-MAR-2000		L. McEACHIN	
DIMENSIONS: mm [INCHES]		TOLERANCES UNLESS OTHERWISE SPECIFIED:		CIRK 17-MAR-2000	
0. PLC	± -	APVD		J. ELLIS	
1. PLC	± -	PRODUCT SPEC		NAME	
2. PLC	± 0.13 [.005]	APPLICATION SPEC		SIZE	
3. PLC	± -	WEIGHT		CAGE CODE	
4. PLC	± -	CUSTOMER DRAWING		DRAWING NO	
ANGLES	± 0°30'	SCALE		SHEET	
MATERIAL NYLON, UL 94V-0	FINISH -	SCALE 4:1		SHEET 1 OF 1	
		REV C		REV C	



HOUSING WITH LOCKING RAMP, CIRCUIT NO. 2 CLOSED, SL-156