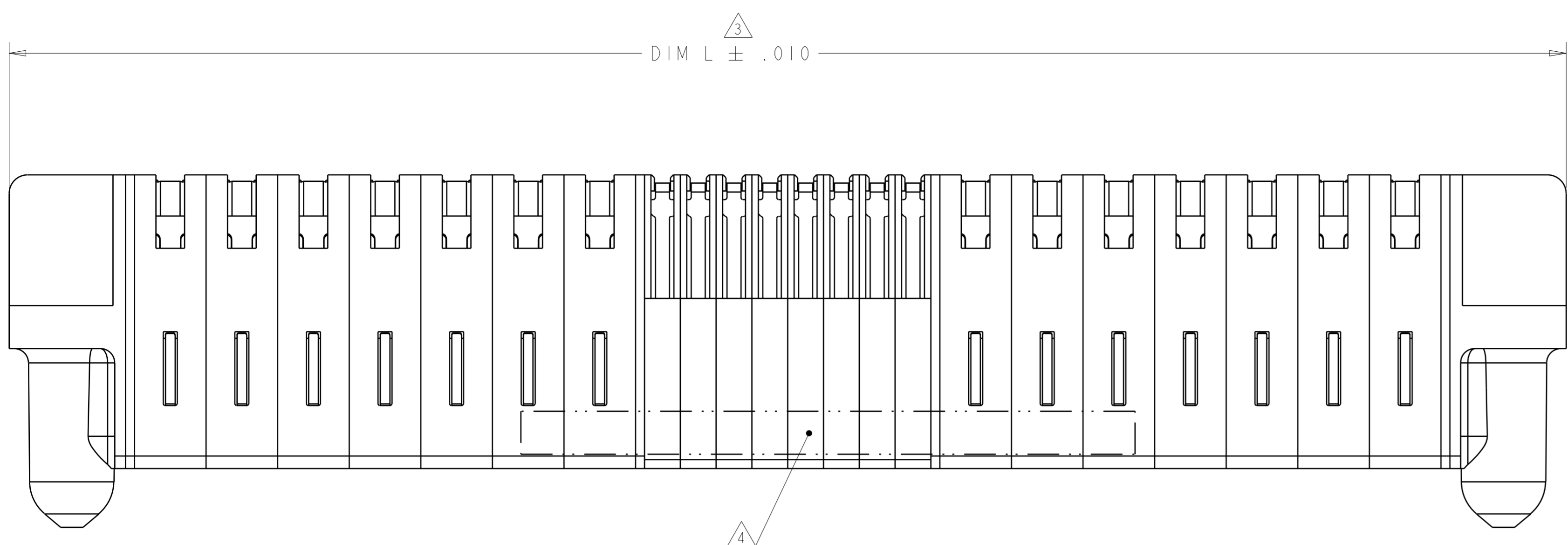
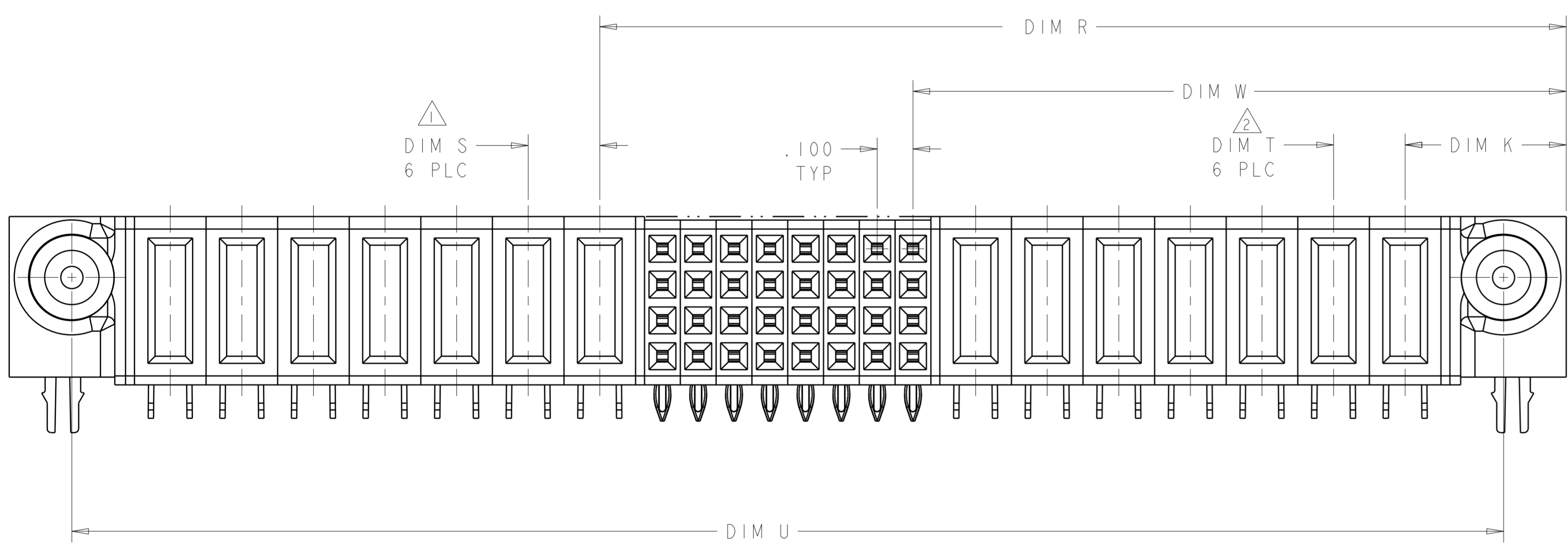


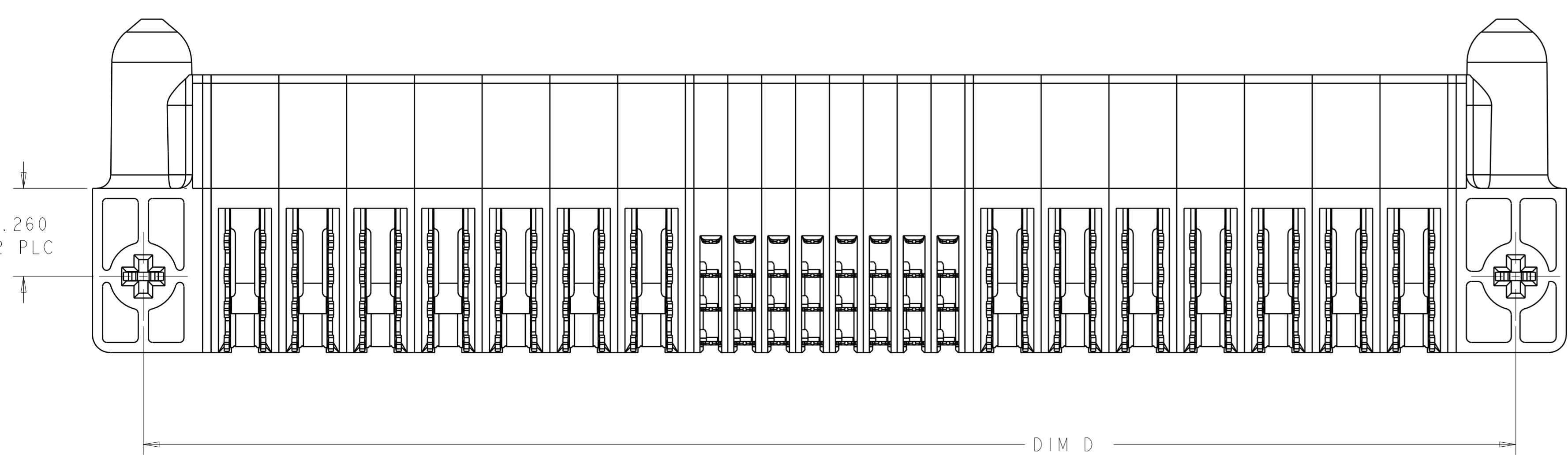
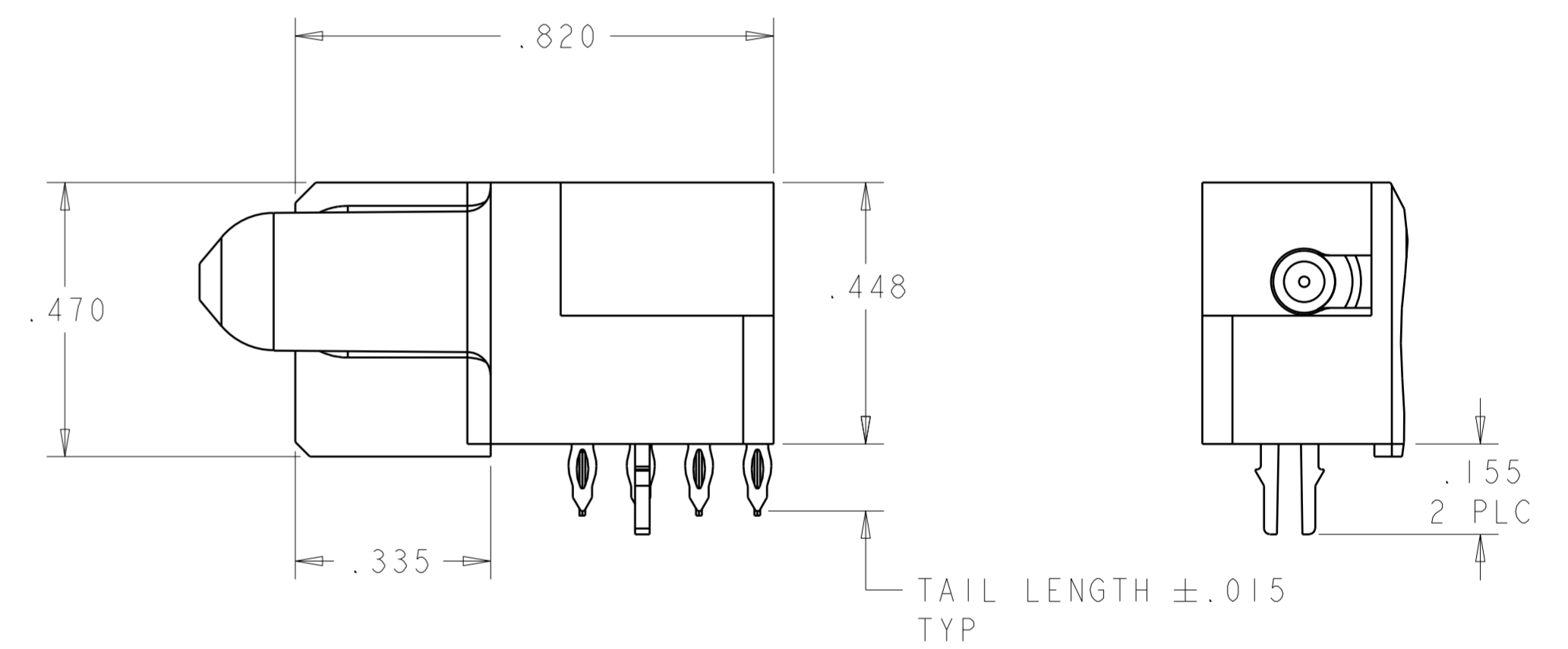
LOC	DIST	REVISIONS			
P	LTR	DESCRIPTION	DATE	DWN	APVD
A		REV PER ECR-06-023720	11OCT2006	DZ	SY



- △ DIM S IS CENTERLINE SPACING OF POWER MODULES ON LEFT SIDE OF HOUSING
- △ DIM T IS CENTERLINE SPACING OF POWER MODULES ON RIGHT SIDE OF HOUSING
- △ THE MAXIMUM OVERALL LENGTH (DIM L) OF A PART IS 8.00
- △ "AMP", PART NUMBER, AND DATE CODE TO BE MARKED IN AREA SHOWN
PARTS UNDER 2.00 LONG MAY BE MARKED ON BOTH SIDES
- △ MATERIAL: HOUSING - GLASS FILLED HIGH TEMP THERMO PLASTIC, UV94 V-0
SIGNAL CONTACT - HIGH CONDUCTIVITY COPPER ALLOY
POWER CONTACT - HIGH CONDUCTIVITY COPPER-IRON ALLOY
- △ CONTACT PLATING: SIGNAL CONTACTS - .000050 MIN Ni UNDER ALL
.000030 MIN Au ON CONTACT AREA
.000100 Sn AT PCB INTERFACE
POWER CONTACTS - .000050 Ni UNDER ALL
.000030 MIN Au ON CONTACT AREA
.000100 Sn AT PCB INTERFACE



- △ MECHANICAL CONNECTOR KEEP OUT ZONE
- △ DATUM AND BASIC DIMENSIONS ESTABLISHED BY CUSTOMER
- △ PCB - ALL HOLE DIAMETERS ARE FINISHED HOLE SIZES
- △ PCB - .0453 ± .0010 DRILLED HOLE PLATED WITH .0003 MIN Sn
OVER .001 TO .003 PLATING TO ACHIEVE A .040 HOLE
- △ POWER CONTACT AREA LUBRICATED WITH LUBRICANT.

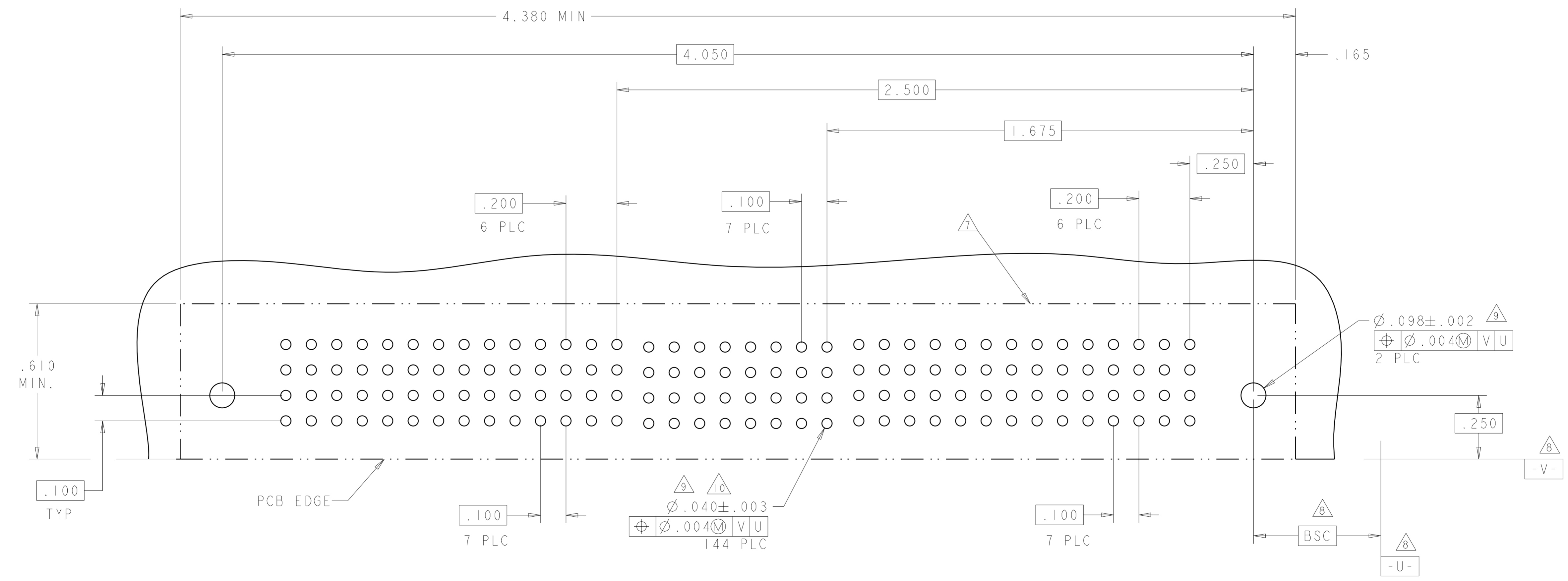


.450	1.825	.200	.200	2.700	4.050	4.000	4.350	7HDP + 32S + 7HDP	1892530-1
DIM K	DIM W	DIM T	DIM S	DIM R	DIM D	DIM U	DIM L	DESCRIPTION	PART NUMBER

DIMENSIONS:		TOLERANCES UNLESS OTHERWISE SPECIFIED:		DRAWN: DENNY ZHU 11OCT2006		Tyco Electronics	
0 PLC	±.1	0 INCHES	±.0005	CHK: SUNY ZHAO 11OCT2006	NAME: S. YAO	Shanghai, P.R. China, 200233	
1 PLC	±.01	1 INCHES	±.005	APVD: S. YAO	PRODUCT SPEC: 108-1973	RIGHT ANGLE RECEPTACLE ASSEMBLY	
2 PLC	±.005	2 INCHES	±.0020	APPLICATION SPEC: 114-13038	SIZE: A1	CAGE CODE: 00779	RESTRICTED TO: -
3 PLC	±.0020	3 INCHES	±.0010	FINISH: △ 6 △ △	WEIGHT: -	DRAWING NO: C=1892530	REV: A
4 PLC	±.0010	4 INCHES	±.0005	CUSTOMER DRAWING			

LOC		DIST		REVISIONS			
ES	00	PT	LTR	DESCRIPTION	DATE	DWN	APVD
				SEE SHEET J			

PART NUMBER	ROWS	POWER							SIGNAL								POWER						
		P14	P13	P12	P11	P10	P9	P8	8	7	6	5	4	3	2	1	P7	P6	P5	P4	P3	P2	P1
1892530-1	D C B A	RK	RK	RK	RK	RK	RK	RK	DD	DD	DD	DD	DD	DD	DD	DD	RK	RK	RK	RK	RK	RK	RK
								CC	CC	CC	CC	CC	CC	CC	CC								
								BB	BB	BB	BB	BB	BB	BB	BB								
								AA	AA	AA	AA	AA	AA	AA	AA								
7HDP + 32S + 7HDP																							



CODE	DESCRIPTION	TAIL LENGTH
DD	SIGNAL CONTACT, R/A HDR, STD, ROW D	.165
CC	SIGNAL CONTACT, R/A HDR, STD, ROW C	.165
BB	SIGNAL CONTACT, R/A HDR, STD, ROW B	.165
AA	SIGNAL CONTACT, R/A HDR, STD, ROW A	.165
RL	POWER CONTACT, R/A HDR, MLBF	.165
RK	POWER CONTACT, R/A HDR, STD	.165

DIMENSIONS: INCHES 		TOLERANCES UNLESS OTHERWISE SPECIFIED: 0 PLC ±.1 1 PLC ±.01 2 PLC ±.005 3 PLC ±.0020 ANGLES ±30°		DWN DENNY ZHU 11OCT2006 CHK SUNY ZHAO 11OCT2006 NAME S. YAO PRODUCT SPEC APPLICATION SPEC WEIGHT RESTRICTED TO	
MATERIAL FINISH		SCALE 4:1 SHEET 2 OF 2 REV A		Tyco Electronics Shanghai, P.R. China, 200233 RIGHT ANGLE RECEPTACLE ASSEMBLY MULTI-BEAM XL, PWR-SIG-PWR, W/GUIDES PRESS FIT LEGS SIZE A1 CASE CODE 00779 DRAWING NO. C-1892530	