

PLEASE CHECK WWW.MOLEX.COM FOR LATEST PART INFORMATION

Part Number: **0491021210**
Status: **Active**
Description: 2.50mm (.098") Pitch Male Housing, for 1.02mm (.040") Diameter Terminal, Used in Car Mirror Applications

Documents:

[Drawing \(PDF\)](#) [RoHS Certificate of Compliance \(PDF\)](#)
[Product Specification PS-104000-001 \(PDF\)](#)

General

Product Family Crimp Housings
 Series 49102
 Product Name N/A

Physical

Circuits (maximum) 12
 Color - Resin Natural, Yellow
 Gender Male
 Glow-Wire Compliant No
 Lock to Mating Part Yes
 Material - Resin Polyester
 Number of Rows 2
 Packaging Type Bag
 Panel Mount Yes
 Pitch - Mating Interface (in) 0.098 In
 Pitch - Mating Interface (mm) 2.50 mm
 Polarized to Mating Part Yes
 Stackable No
 Temperature Range - Operating -40°C to +120°C

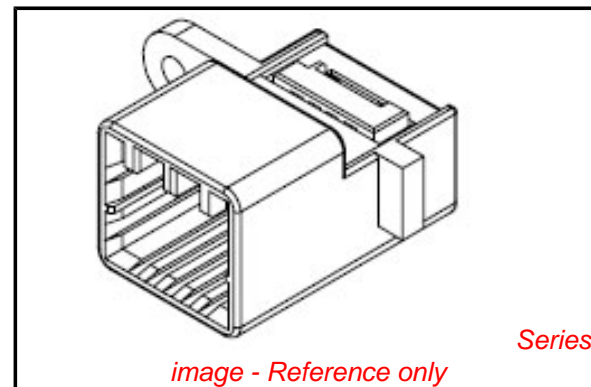
Electrical

Current - Maximum per Contact 5A

Material Info

Reference - Drawing Numbers

Product Specification PS-104000-001
 Sales Drawing SD-49102-001



EU RoHS

ELV and RoHS Compliant
REACH SVHC
 Not Reviewed
Halogen-Free Status

China RoHS



Need more information on product environmental compliance?

Email productcompliance@molex.com
 For a multiple part number RoHS Certificate of Compliance, [click here](#)

Please visit the [Contact Us](#) section for any non-product compliance questions.

Search Parts in this Series

[49102Series](#)

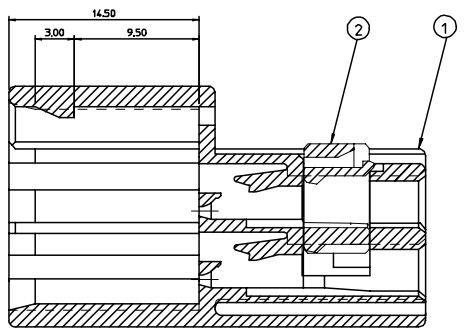
Mates With

[64002-1215](#)

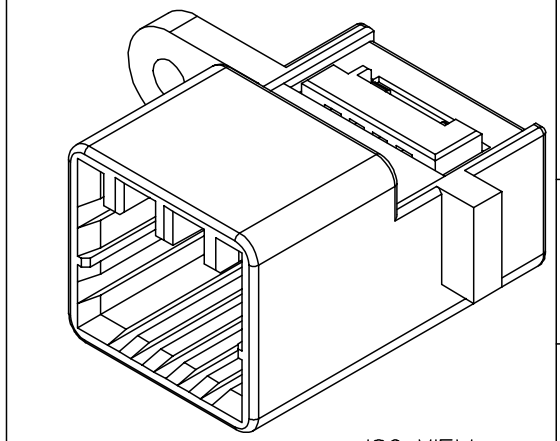
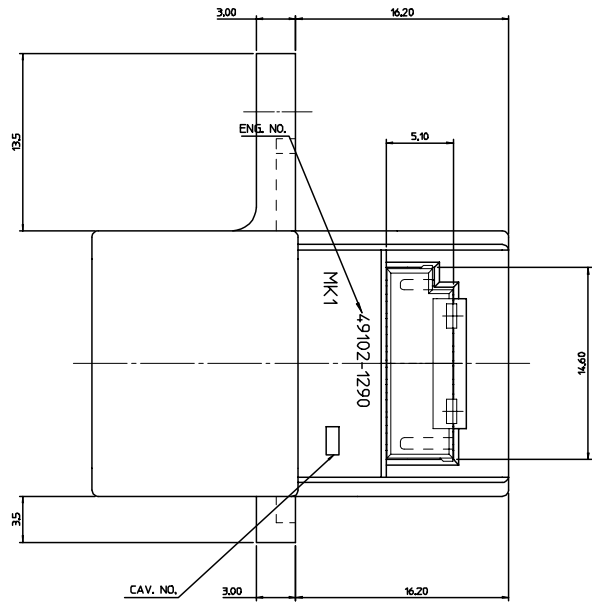
Use With

[50660-9001](#)

DWG. NO. SD-49102-001
 SIMILAR ITEM
 PROJECT NO.
 E
 D
 C
 B
 DO NOT SCALE DRAWING
 DIMENSION IN METRIC

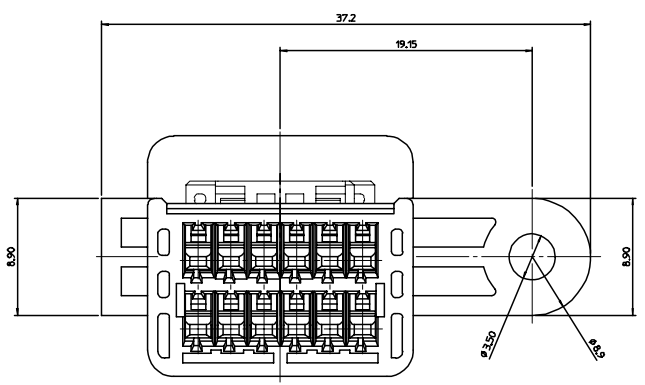
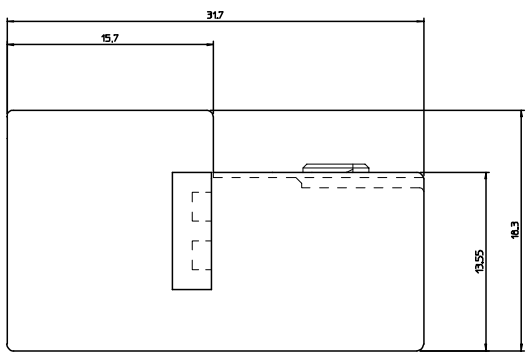
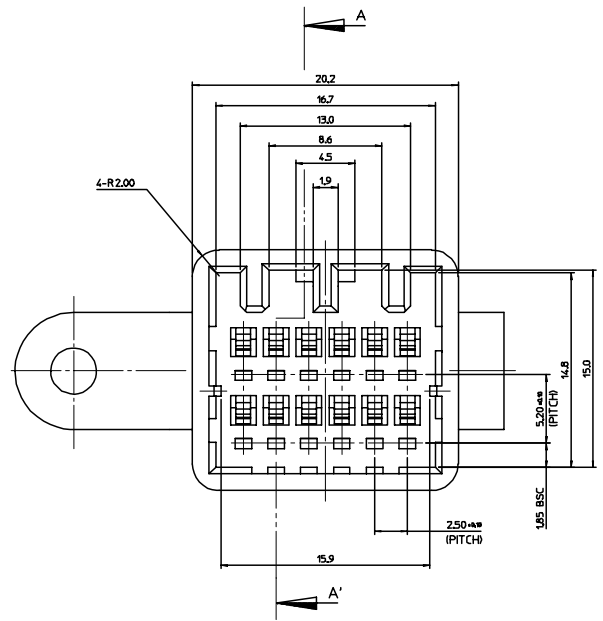


SECTION A-A'



ISO VIEW

NO.	PART NAME	PART NO.	MATERIAL	REMARKS
1	M/HSG 12P	49102-1290	POLYESTER	NATURAL
2	M/TPA	49103-1283	POLYESTER	YELLOW



- <NOTE>
1. MATERIAL : POLYESTER(PBT) UL 94HB
 2. APPLICABLE TERMINAL : 50660-9001
 3. APPLICATION FEMALE HOUSING : 64002-1215

MATERIAL NO.	ENG. NO.
491021210	49102-1210

NEW RELEASE ECN NO.49102005-0162 DRAWN:SMJK 05/02/14 CHK:BC YOON 05/02/14 APPROVEE	QUALITY SYMBOLS MAJOR CRITICAL	GENERAL TOLERANCES (UNLESS SPECIFIED)	SCALE 4:1	DESIGN UNITS <input checked="" type="checkbox"/> MM <input type="checkbox"/> INCH	THIRD ANGLE PROJECTION	DIMENSIONS: <input type="checkbox"/> INCH <input type="checkbox"/> MM <input type="checkbox"/> ONLY	SHT REV	
	REV	4 PLACES ±0.1 ± 3 PLACES ±0.1 ± 2 PLACES ±0.2 ± 1 PLACE ±0.3 ± ANGULAR: ± 1°	DRAWN BY & DATE S.MJKIM 04/08/31	TITLE .040 MIRROR MALE HSG 12P ASS'Y				
			CHECKED BY & DATE B.C.YOON 04/08/31					
			APPROVED BY & DATE C.W.LEE 04/08/31					
			CAD FILE NAME SD49102JHI	MOLEX INCORPORATED				
				MATERIAL NO. SEE TABLE	DRAWING NO. SD-49102-001	SHEET NO. 10F1	SIZE C	
			DRAFT WHERE APPLICABLE MUST REMAIN WITHIN DIMENSIONS	THIS DRAWING CONTAINS INFORMATION THAT IS PROPRIETARY TO MOLEX INCORPORATED AND SHOULD NOT BE USED WITHOUT WRITTEN PERMISSION.				