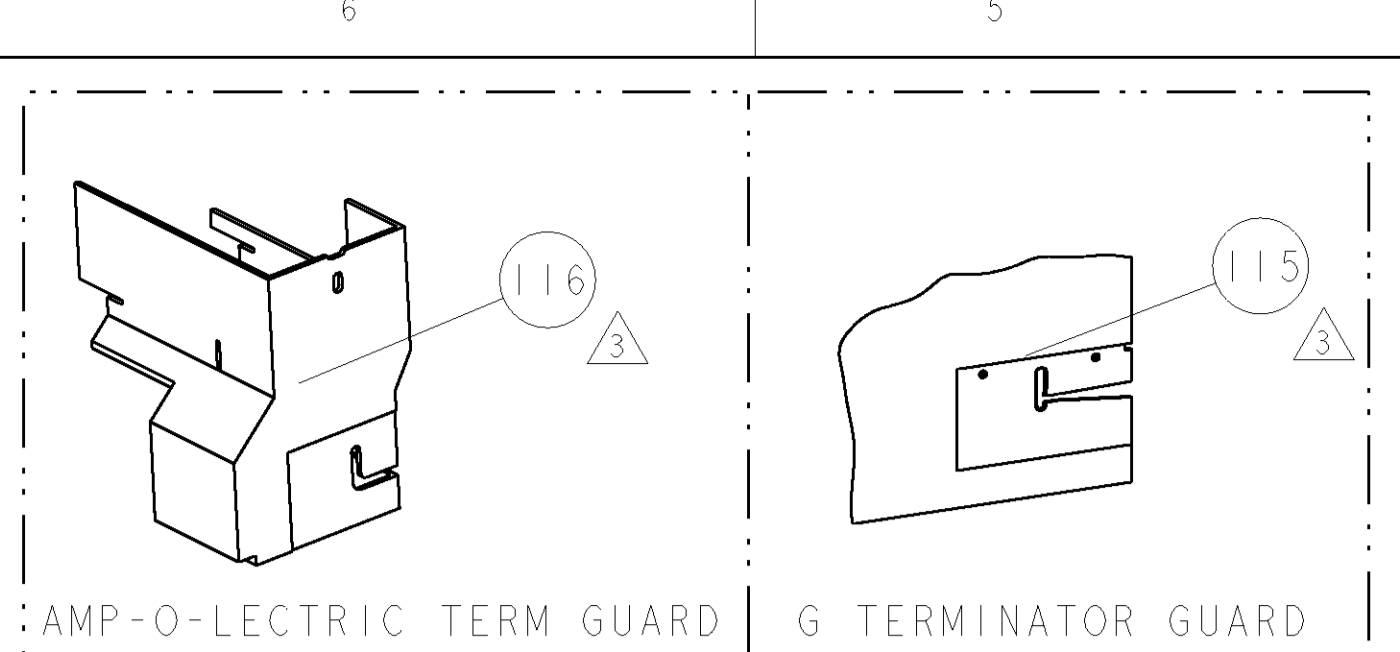


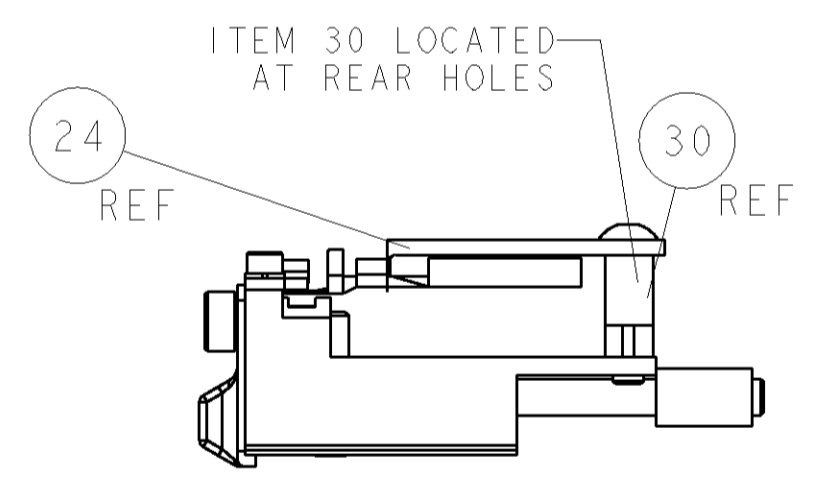
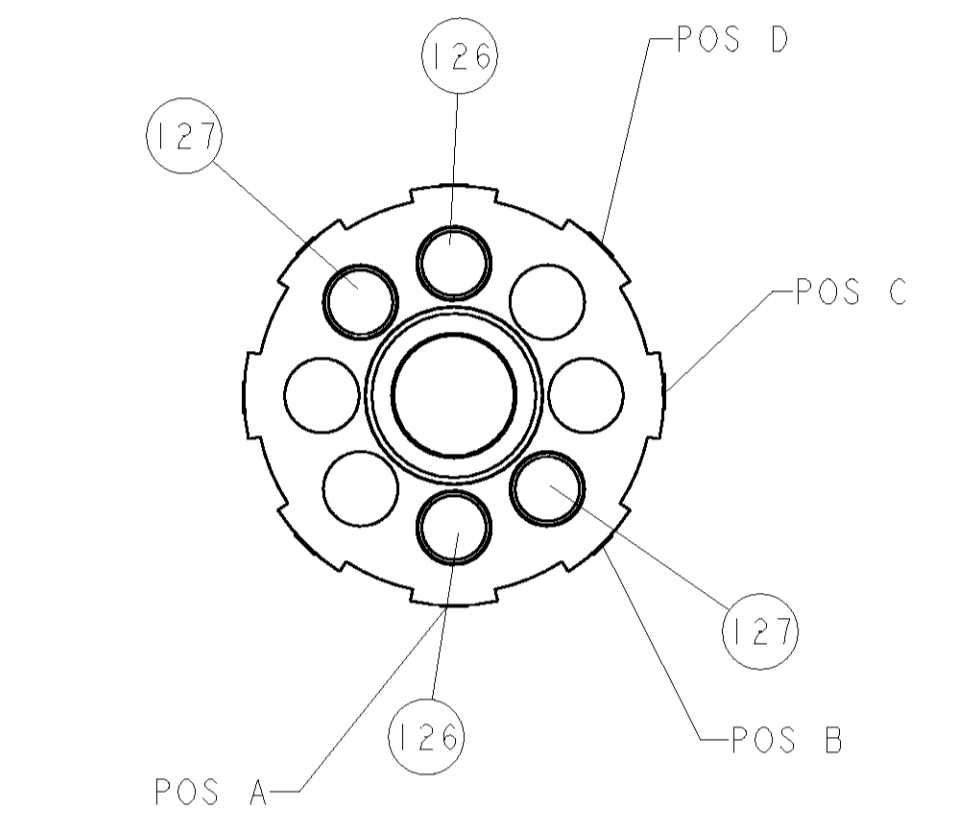
PART NUMBER	REV	FIRST USED	POWER UNIT	FEED TYPE	DESCRIPTION
1852045-1	B	122500-1	LEADMAKER	POST FEED	CUTS CARRIER
1852045-2	B	565435-5	BENCH MODEL K	PRE FEED	CUTS CARRIER
1852045-3	B	354500-1	BENCH MODEL G	PRE FEED	CUTS CARRIER
1852045-6	B	122500-1	LEADMAKER	POST FEED	CONTINUOUS CARRIER
7-1852045-7	A	-	-	-	SPARE PARTS



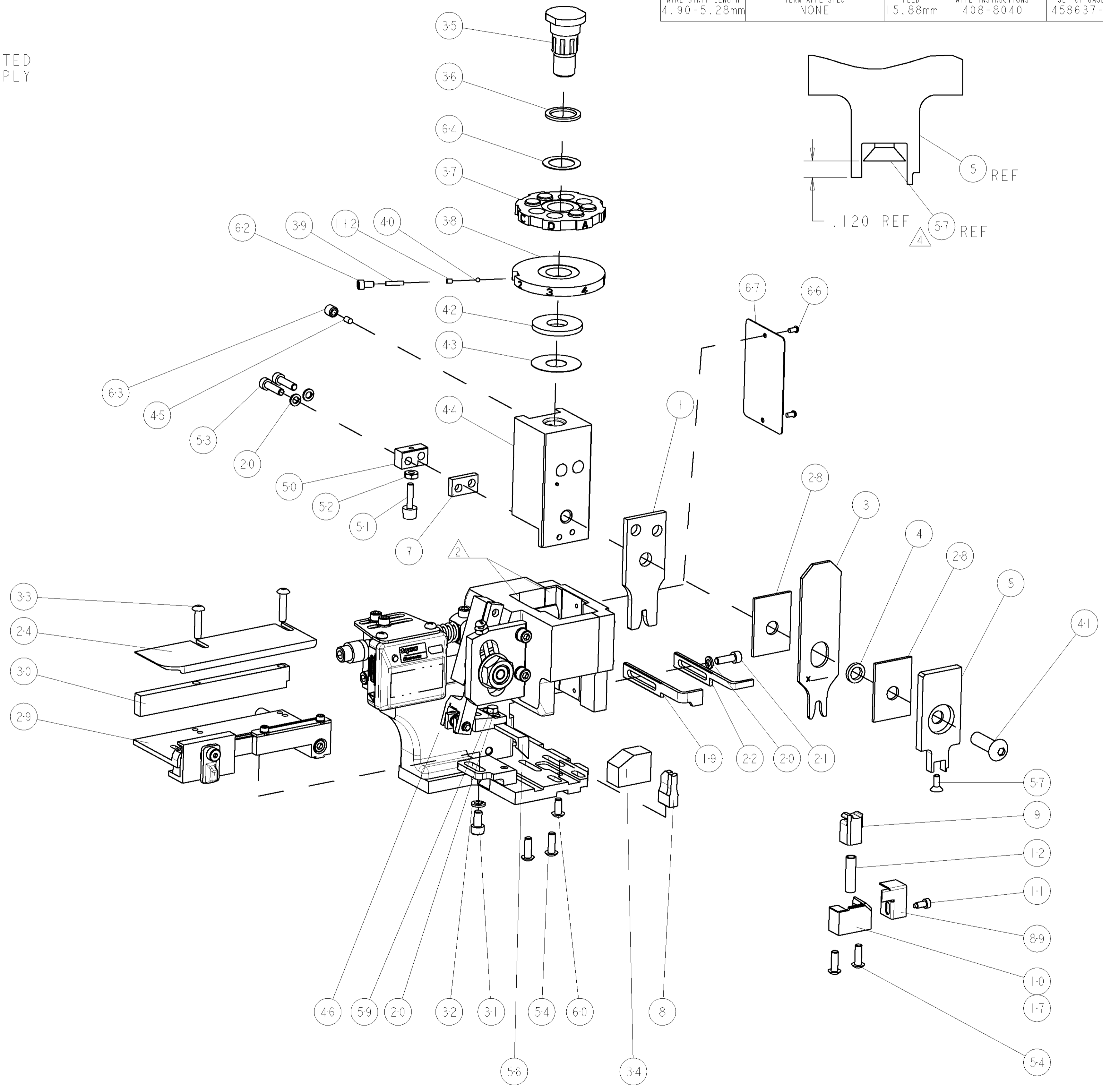
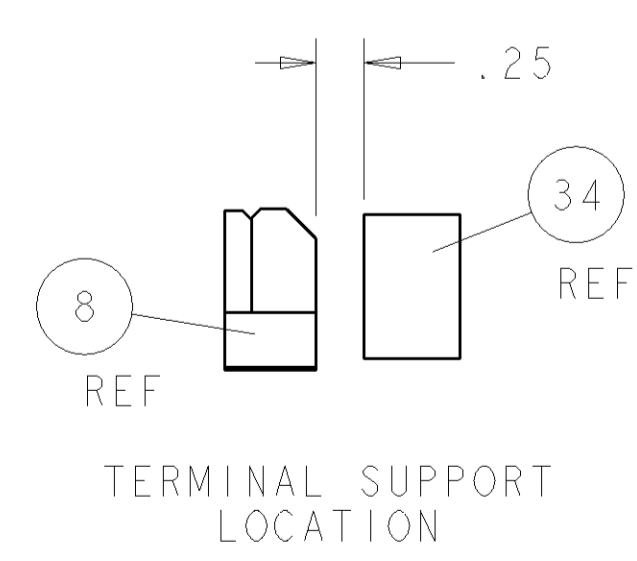
TERMINAL NAME: MALE METRI-PACK 280					
TE PN	MFG PN	DELPHI TERMINAL - DELPHI CRIMP SPECS			
286945	12129497				
-	-	PAD LTR	CRIMP HEIGHT	WIRE SIZE	
-	-	A	1.90±0.05mm [.075±.002]	3mm2	
-	-	B	1.65±0.05mm [.065±.002]	2mm2	
-	-	C	-	-	
-	-	D	-	-	
SEAL PN.	-				
1572716-1	12010293	CRIMP	SIZE	TYPE	RANGE
1572716-2	12015359				
1572716-3	15324980	WIRE	3.25mm [.128]	F	2-3mm2
-	-	INSUL	4.32mm [1.701]	O	∅2.80-3.49mm
WIRE STRIP LENGTH	TERM APPL SPEC	FEED	APPL INSTRUCTIONS	SET UP GAGE	
4.90-5.28mm	NONE	15.88mm	408-8040	458637-1	

LOC	DIST	REVISIONS				
A	66	P LTR	DESCRIPTION	DATE	DWN	APVD
		A	RELEASED	13JUL2006	ROW	TE
		A1	ECR-07-004570	27FEB2007	LG	TE
		B	ECR-08-018000	17JUL2008	MY	GB

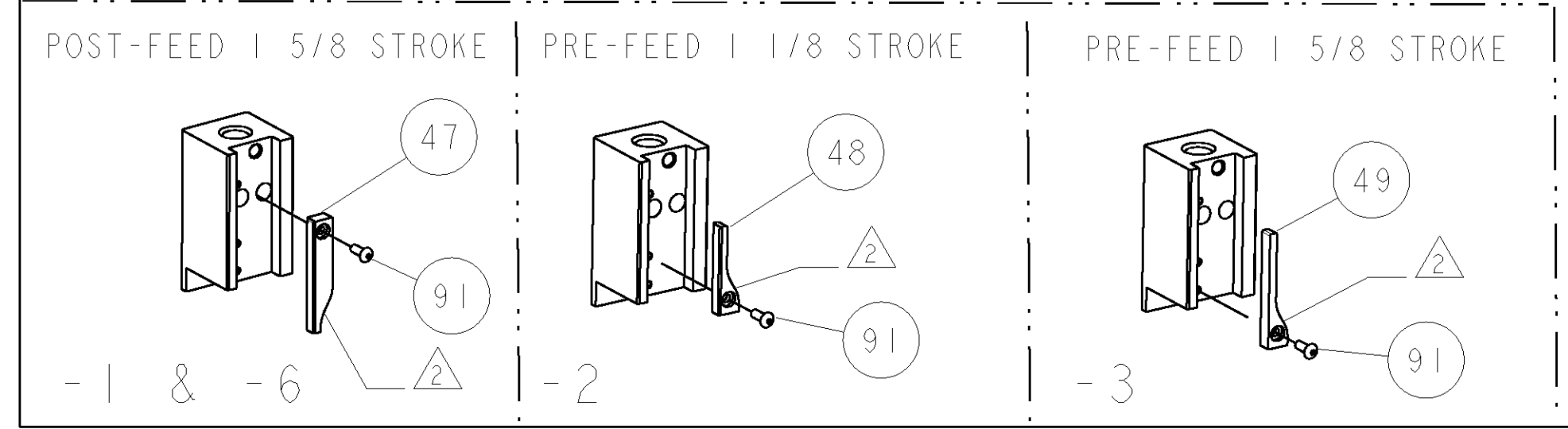
- △ RECOMMENDED SPARE PARTS
- △ GREASE LIGHTLY
- △ GUARD MUST BE IN PLACE WHEN OPERATING APPLICATOR IN A BENCH MACHINE
- △ APPLY TORO-SEAL IN ALLEN SOCKET TO FILL HOLE AFTER FLAT HD HAS BEEN ADJUSTED TO CORRECT HEIGHT AT QUALIFICATION. APPLY PN 1-23419-5 LOC-TITE TO THREADS.



FEED TRACK POSITION



2	2	2	2	-	354779-8	PIN, WIRE DISC, .3030	127
2	2	2	2	-	8-354778-9	PIN, WIRE DISC, .2940	126
-	-	REF	-	-	455749-1	GUARD WINDOW	116
-	-	REF	-	-	679532-1	INSERT, GUARD	115
-	1	1	1	1	690603-1	SPRING ASSIST AMP-O-MATOR APPLICATOR	112
-	1	1	1	1	1-21002-7	SCR, BTN SKT HD CAP 6-32 X .375	91
-	1	1	1	1	318563-1	GUARD, FRONT CHIP	89
-	1	1	1	1	4088040	SF APPL INST 408-8040	72
-	1	1	1	1	217238-1	GENERAL INSTRUCTION PKG	71
-	1	1	1	1	461264-1	PLATE, IDENTIFICATION	67
-	2	2	2	2	21017-2	SCREW, DRIVE	66
-	1	1	1	1	986950-1	WASHER, FLAT PRECISION	64
-	1	1	1	1	21009-2	SCR, SET, SELF LOCKING 1/4-20 X .250	63
-	1	1	1	1	23030-1	SCR, SKT HD CAP 6-32 X .25	62
-	1	1	1	1	22733-8	SCR, BHSC, SELF-LOCKING, 8-32 X .375	60
-	1	1	1	1	2-22603-0	SCR, HEX HD CAP 8-32 X .312	59
-	1	1	1	1	1-21003-9	SCR, FLT SKT HD CAP 6-32 X .375	57
-	1	1	1	1	458537-2	PAWL, FEED	56
-	4	4	4	4	2-21002-2	SCR, BTN SKT HD CAP 8-32 X .500	54
-	2	2	2	2	2-21000-8	SCR, SKT HD CAP 8-32 X .625	53
-	1	1	1	1	21018-5	NUT, HEX, REG 6-32	52
-	1	1	1	1	811242-2	BUMPER, HOLD DOWN	51
-	1	1	1	1	690753-1	SPACER, TONKER	50
-	-	1	-	-	690602-6	CAM, PRE FEED, 1 5/8	49
-	-	-	1	-	690602-5	CAM, PRE FEED, 1 1/8	48
-	1	1	1	1	690501-4	CAM, POST-FEED 1 5/8	47
-	1	1	1	1	459456-1	APPL. BASIC SUB ASSY (SIDE WISE MOCA)	46
-	1	1	1	1	690191-1	PLUG, NYLON	45
-	1	1	1	1	455673-1	RAM, SIDE FEED	44
-	1	1	1	1	690125-1	SHIM SUB-ASSY	43
-	1	1	1	1	690124-1	WASHER, RAM (.115)	42
-	1	1	1	1	7-21002-9	SCR, BTN SKT HD CAP 5/16-24 X 1.00	41
-	1	1	1	1	23241-6	BALL, STEEL	40
-	1	1	1	1	690170-1	SPRING, COMPRESSION	39
-	1	1	1	1	1-690142-0	DISC, INSULATION	38
-	1	1	1	1	354777-1	WIRE DISC, ASSEMBLY	37
-	1	1	1	1	22480-5	SPRING, COMPRESSION	36
-	1	1	1	1	690212-1	POST, RAM	35
-	1	1	1	1	690786-6	TERMINAL SUPPORT	34
-	2	2	2	2	2-21002-4	SCR, BTN SKT HD CAP 8-32 X .750	33
-	1	1	1	1	21024-5	WASHER, SPRG LOCK, REG NO 10	32
-	1	1	1	1	3-21000-4	SCR, SKT HD CAP 10-32 X .375	31
-	1	1	1	1	1320908-2	SPACER, STRIP GUIDE	30
-	1	1	1	1	1633091-7	ASSEMBLY, STRIP GUIDE	29
-	1	1	1	1	1-455888-6	SPACER, CRIMPER	28
-	1	1	1	1	1320928-5	PLATE, STRIP GUIDE	24
-	1	-	-	-	690472-2	STRIPPER	22
-	1	1	1	1	2-21000-7	SCR, SKT HD CAP 8-32 X .500	21
-	4	4	4	4	21024-4	WASHER, SPRG LOCK, REG NO 8	20
-	-	-	-	-	691353-1	STRIPPER	19
△	1	-	-	-	679625-2	SHEAR HOLDER, FRONT (NO CUT)	17
-	1	1	1	1	3-22280-3	SPRING, COMPRESSION	12
-	1	1	1	1	690461-2	STOP, SHEAR	11
-	-	1	1	1	1-690459-0	SHEAR HOLDER, FRONT	10
△	1	1	1	1	318707-2	FLOATING SHEAR, FRONT	9
△	1	1	1	1	1633381-5	ANVIL, COMBINATION	8
-	1	1	1	1	2-240641-4	SPACER	7
-	1	1	1	1	318701-4	DEPRESSOR, SHEAR	5
-	1	1	1	1	238011-8	BLOCK, CRIMPER SPACER	4
△	1	1	1	1	7-683454-7	CRIMPER, INSULATION O	3
-	1	1	1	1	1-455888-6	SPACER, CRIMPER	2
△	1	1	1	1	3-1673600-2	CRIMPER, WIRE	1



DIMENSIONS:		TOLERANCES UNLESS OTHERWISE SPECIFIED:		CUSTOMER DRAWING	
INCHES	9 PLC ±.01	3 PLC ±.001	4 PLC ±.0001	SCALE	3:5
				SHEET	1 OF 1
				REV	B

CUSTOMER VIEWABLE ASSEMBLY