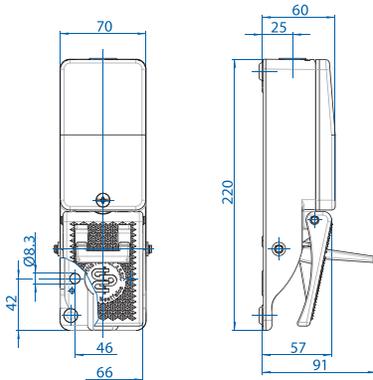


Single Pedal With Kick Protection

STANDARD with Anti Trip



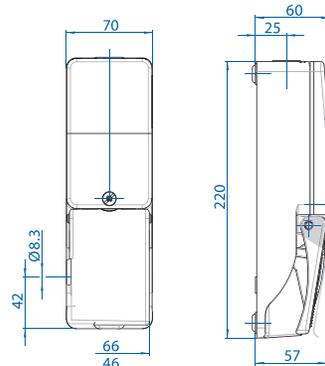
Standard OFF-ON Operation - Push forward in the Anti Trip Pedal Lock to release. Push down pedal to change contact state. Release pedal to return to original state.



STANDARD with Protective Hinged Cover



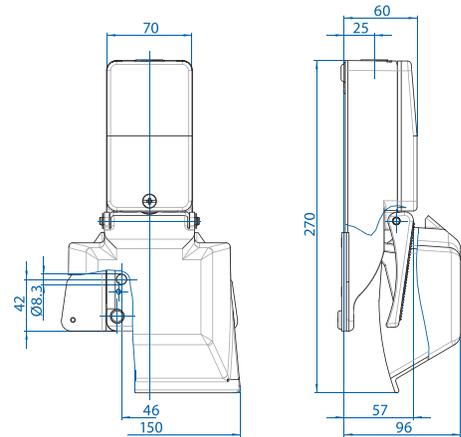
Standard OFF-ON Operation - Lift protective hinged cover up to activate pedal. Push pedal down to change contact state. Release pedal to return to original state. With IP67 Protection Rating (Temporary Submersion).



STANDARD with Protective Shroud



Standard OFF-ON Operation - Lift protective hinged Shroud up to activate pedal. Push pedal down to change contact state. Release pedal to return to original state.



Single pedal foot switch F1		
Article number	Designation	Switching contacts
616.1100.554	F1-U1Z AT	1NC / 1NO

Single pedal foot switch F1		
Article number	Designation	Switching contacts
606.1400.572	F1-SU2Z PS	2NC / 2NO

Single pedal foot switch F1		
Article number	Designation	Switching contacts
616.1600.071	F1-U1Z UK	1NC / 1NO