

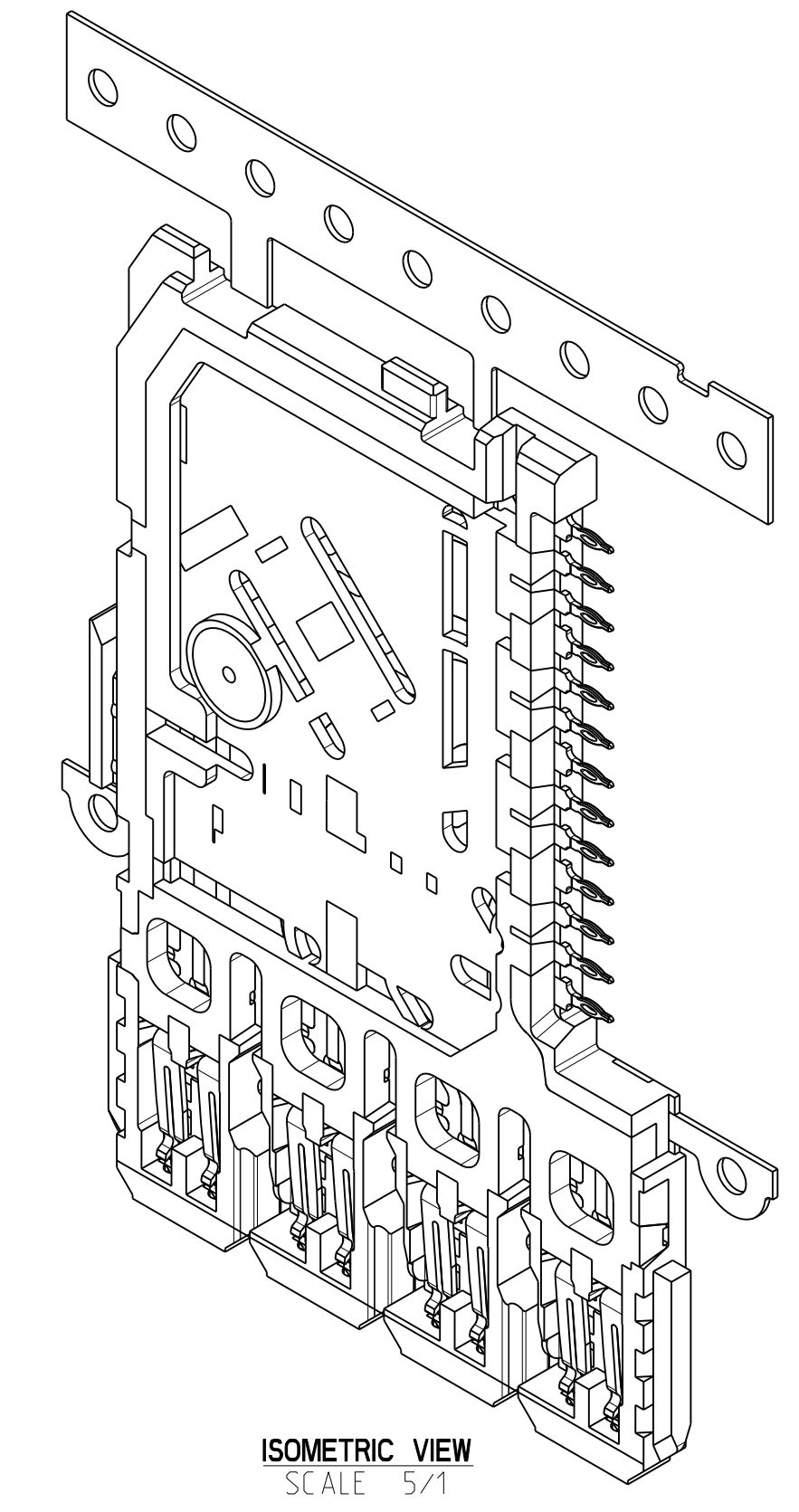
ZONE	REV	SCR NUMBER	DESCRIPTION	BY	DATE	APPROVED
ALL	A	DSMH-8X6RDF.VER01	NEW RELEASE	HCL-AS	08/16/2012	D.SMITH
	B	BRID-93SUS6.VER01	TABLE 1 ADDED FOR WITH STSG OPTION REMOVED LEADED PLATING OPTIONS	HCL-AP	01/11/2013	B.RICHARD
	C	JXUU-98N7HA.VER01	ADDED CORING	HCL-AK	07/02/2013	J.XU

**TABLE 1**  
COMPLIANT PIN, 0.0177" DRILL, 100 Ω WITH STSG, WITHOUT CAPS

PART NUMBER	REV	MAKE FROM		FINISH ⑫	DESCRIPTION
		SIGNAL LF A	SHIELD IM-A		
154-4411-10D	C	160-0808-769	154-4311-10D	769 PER EGS 205	PREPPED
154-4411-10E	C	160-0808-768	154-4311-10E	768 PER EGS 205	
154-4411-10H	C	160-0808-806	154-4311-10H	806 PER EGS 205	
154-4411-10J	C	160-0808-805	154-4311-10J	805 PER EGS 205	
154-4511-10X	C	154-4411-10X		⑫	OVERMOLD
154-4611-10X	C	154-4511-10X		⑫	LOOSE PIECE

**TABLE 2**  
COMPLIANT PIN, 0.0177" DRILL, 100 Ω WITHOUT STSG, WITHOUT CAPS

PART NUMBER	REV	MAKE FROM		FINISH ⑫	DESCRIPTION
		SIGNAL LF A	SHIELD IM-A		
154-4421-10D	C	160-0808-769	154-4321-10D	769 PER EGS 205	PREPPED
154-4421-10E	C	160-0808-768	154-4321-10E	768 PER EGS 205	
154-4421-10H	C	160-0808-806	154-4321-10H	806 PER EGS 205	
154-4421-10J	C	160-0808-805	154-4321-10J	805 PER EGS 205	
154-4521-10X	C	154-4421-10X		⑫	OVERMOLD
154-4621-10X	C	154-4521-10X		⑫	LOOSE PIECE



NOTES:

- ① MATERIAL: 807-0000-070 PER EGS 207.
- ② 0.2 MAX FLASH UNLESS OTHERWISE SPECIFIED.
3. PARTS ARE TO BE IN ACCORDANCE WITH EGPS 0201.
- ④ PARTS TO BE SUPPLIED ON REELS ON 26.00 CENTERS AS SHOWN.
5. SOME DIMENSIONS TO BE CONTROLLED BY SPC. SPC DATA WILL BE SUBMITTED WITH EVERY LOT. SEE SHEET 5 FOR FPIR.
6. MANUFACTURER SHALL NOTIFY AMPHENOL TCS IN WRITING 30 DAYS PRIOR TO CHANGES IN MANUFACTURING LOCATION, MATERIALS, DESIGN, OR MANUFACTURING PROCESS. WRITTEN ACCEPTANCE MUST BE RECEIVED PRIOR TO IMPLEMENTATION OF CHANGE. THIS DOES NOT REQUIRE THE MANUFACTURER TO REVEAL ANY PROPRIETARY INFORMATION.
7. FINISHED MOLDED PART SHALL RETAIN ALL TOLERANCE REQUIREMENTS OF STAMPED PART (160-0808-XXX) AS SPECIFIED ON DRAWING 160-0808-500 AND INSERT MOLDED PART (154-4321-XXX) AS SPECIFIED ON DRAWING 154-4321-500.
8. CHANGES IN THIS DRAWING MAY AFFECT PART NUMBER 160-0808-XXX, REFERENCE DRAWING 160-0808-500 AND PART NUMBER 154-4321-XXX, REFERENCE DRAWING 154-4321-500
- ⑨ SEE FLASH MAP FOR CRITICAL FLASH AREAS & REQUIREMENTS.
10. METALIC SLIVERS OR SPECKS ON FINISHED PRODUCT OR MOLDED IN PLASTIC ARE NOT ACCEPTABLE.
- ⑪ GATE LOCATION APPROXIMATELY WHERE SHOWN. 1 GATE PER PART. GATE TO BE RECESSED SUFFICIENTLY SO VESTIGE WILL NOT EXCEED TOP SURFACE.
- ⑫ CAVITY I.D. RECESS AREA TO BE LOCATED APPROXIMATELY WHERE SHOWN. CHARACTERS TO BE 0.80 TALL.
13. MAX ALLOWABLE SINK 0.15 MAX.
14. PART TO BE FREE OF BURRS IN EXCESS OF 0.05 MAX. UNLESS OTHERWISE SPECIFIED.
15. CRITICAL AREA BURRS NOT TO EXCEED 0.025 MAX.
16. PLATING TO BE IN ACCORDANCE WITH QAPS 0425.
17. STAMPING TO BE IN ACCORDANCE WITH QAPS 0427.
18. REEL NOT TO EXCEED 35 LBS.
19. SHARP CORNERS TO BE R0.15mm UNLESS OTHERWISE SPECIFIED.
- ⑯ LOCATE PROFILE OF SURFACE ( ) WITH FIXTURE PART NUMBER 693-1181-000.
21. ALL DIMS NOT SHOWN SHALL BE ACCORDING TO SOLID MODEL P1199-4P-DC-WAFER-A-PRELD.
- ⑰ LAST DIGIT OF PART NUMBER IDENTIFIES PLATING CODE, PER EGS 205.  
D = 769  
E = 768  
H = 806  
J = 805

TOLERANCES	DESIGN	10/02/2010 M.RECEPUTO	<b>Amphenol TCS</b> A Division of Amphenol Corporation 200 Innovative Way, Nashua, NH 03062 603.878.3000	TITLE	DC WAFER, OVERMOLDED, A 4 PAIR GbX TW W/O CAPS, .0177" DRILL
0.0 ±0.15	DRAWN	02/28/2011 HCL-MR		PART NO.	SEE TABLE 1 & 2
0.00 ±0.05	CHK	02/28/2011 T.COHEN		DRAWING NO.	P-154-4521-500
0.000 ± -	APVD	02/28/2011 T.COHEN		ASSEM: P1199-4P-DC-WAFER-A-PRELD	1.21
ANGLES ± 1°			DRAWING: P-154-4521-500	C.O	
UNLESS OTHERWISE SPECIFIED DIMENSIONS ARE IN MM, DECIMAL MARKER IS A PERIOD			SCALE	5/1	SHEET 1 OF 5

MATERIAL: ①

INTERPRET PER ASME Y14.5M

CODE IDENT 31413

THESE DRAWINGS AND SPECIFICATIONS ARE THE PROPERTY OF AMPHENOL CORPORATION AND SHALL NOT BE REPRODUCED OR COPIED OR USED AS THE BASIS FOR THE MANUFACTURE OR SALE OF APPARATUS WITHOUT THE WRITTEN PERMISSION OF AMPHENOL CORPORATION.

DRW NO. P-154-4521-500

SH 1 REV C

8

7

6

5

4

3

DRW NO.	P-154-4521-500	SH	2	REV	C
---------	----------------	----	---	-----	---

ZONE	REV	SCR NUMBER	DESCRIPTION	BY	DATE	APPROVED
			SEE SHEET 1			

D

C

B

A

D

C

B

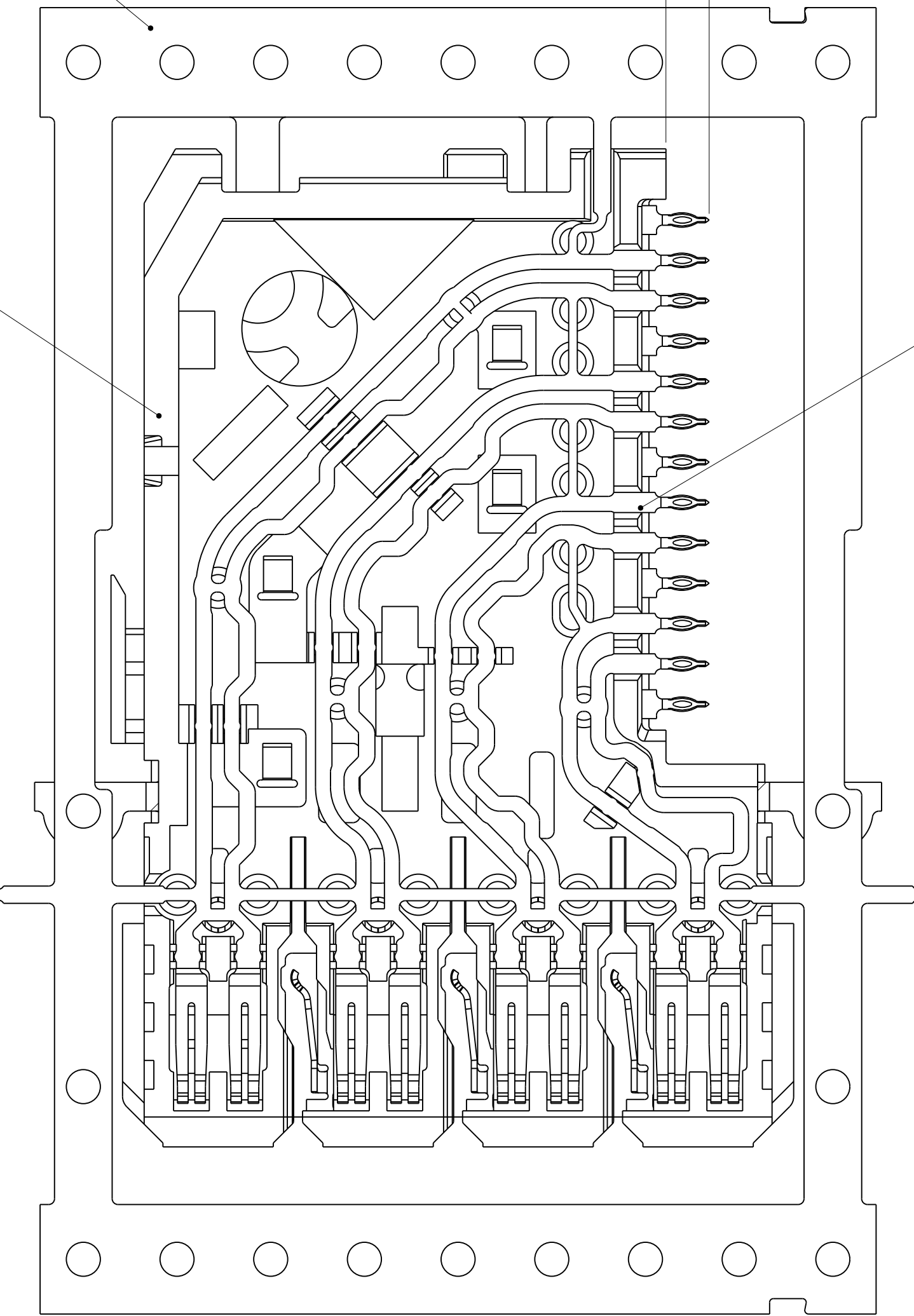
A

SIGNAL LEADFRAME CARRIER STRIP

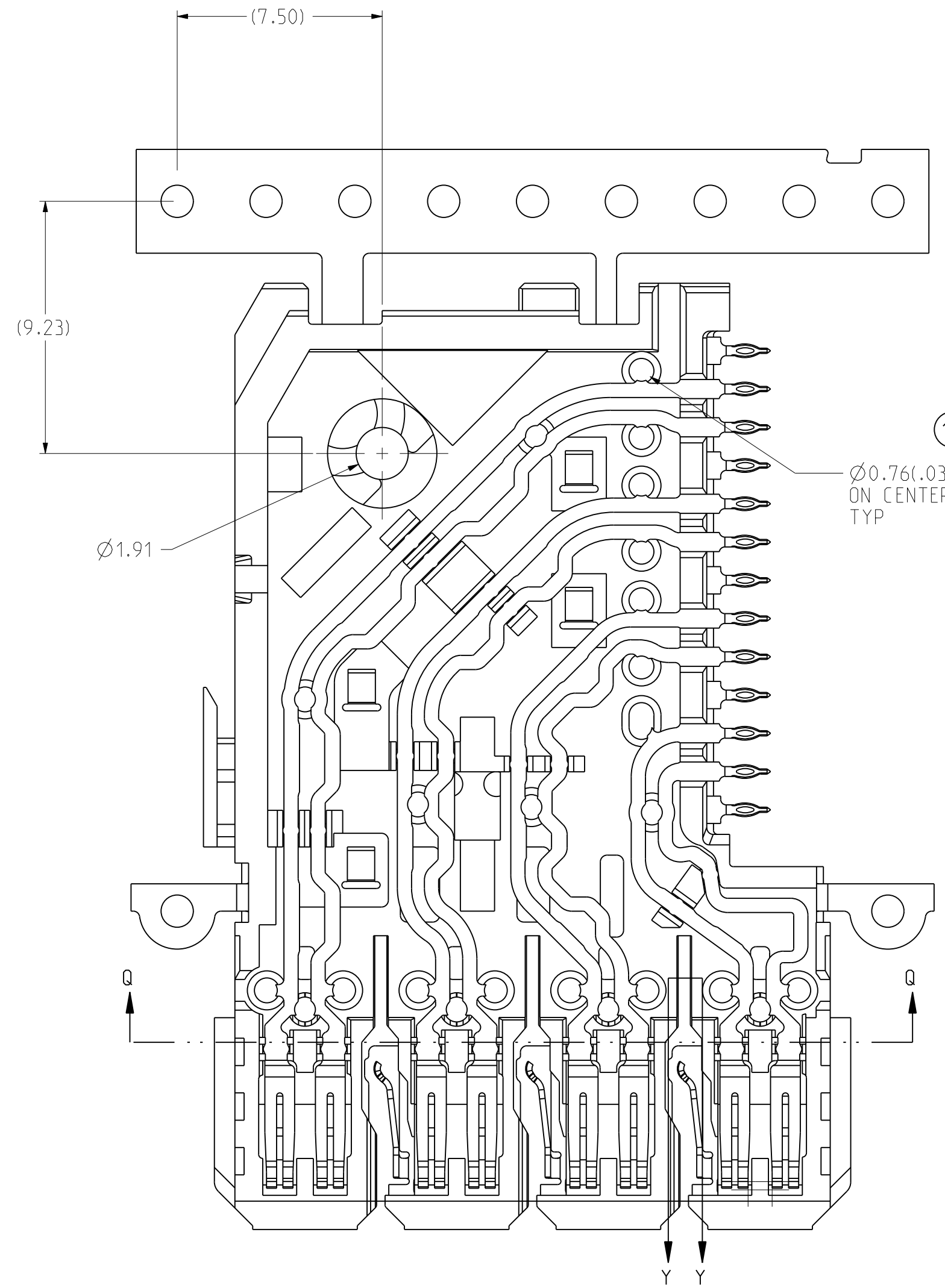
154-4321-XXX

15  
13X 2.13  
MAX ALLOWABLE  
COMPLIANT PIN SHIFT  
(DUE FROM PREP AND  
OVERMOLD PROCESSES)

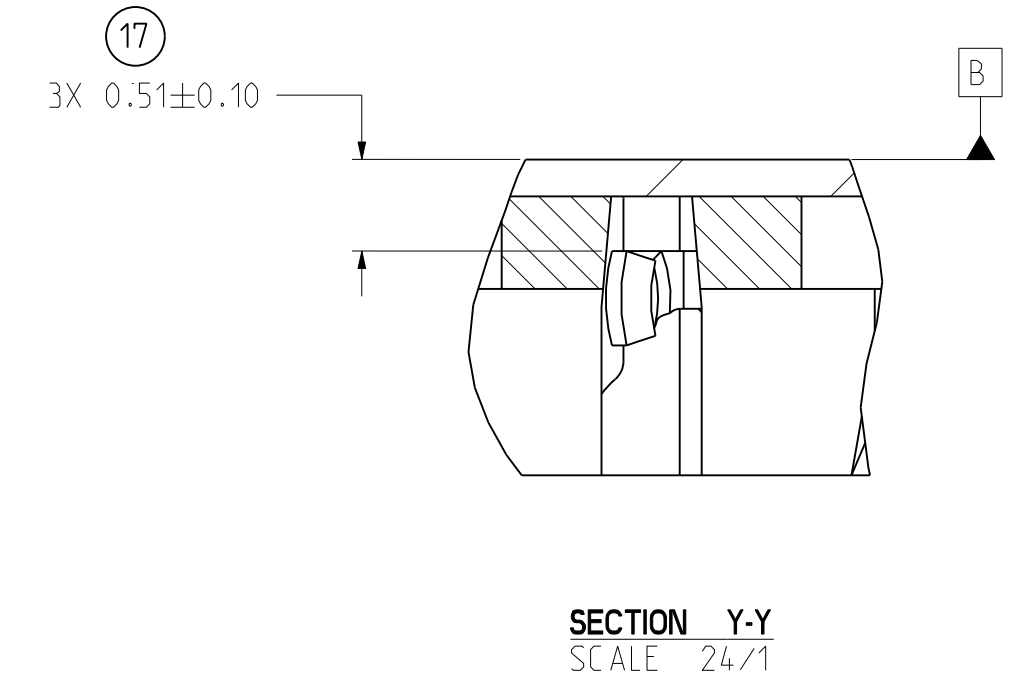
160-0808-XXX



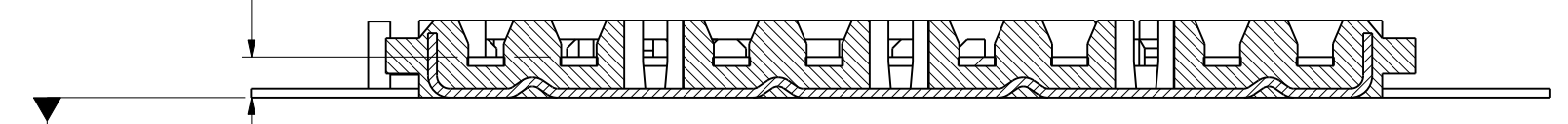
PRE-PEP STATION WAFER  
154-4421-XXX



PREPPED (154-4421-XXX) WAFER PRIOR TO OVERMOLD  
(TIE BARS HAVE BEEN REMOVED)



71  
8X (0.92)  
FEATURES TO BE SEATED  
FLUSH AGAINST PLASTIC



SECTION Q-Q

TOLERANCES	DESIGN 10/02/2010 M.RECEPUTO
0.0 ±0.15	DRAWN 02/28/2011 HCL-MR
0.00 ±0.05	CHK 02/28/2011 T.COHEN
0.000 ± -	APVD 02/28/2011 T.COHEN
ANGLES ± 1°	

**Amphenol TCS**  
A Division of Amphenol Corporation  
200 Innovative Way, Nashua, NH 03062 603.878.3000

TITLE DC WAFER, OVERMOLDED, A  
4 PAIR GbX TW W/O CAPS, .0177" DRILL  
PART NO. SEE TABLE 1 & 2  
DRAWING NO. P-154-4521-500

MATERIAL: INTERPRET PER ASME Y14.5M  
CODE IDENT 31413

UNLESS OTHERWISE SPECIFIED DIMENSIONS ARE IN MM, DECIMAL MARKER IS A PERIOD.  
THESE DRAWINGS AND SPECIFICATIONS ARE THE PROPERTY OF AMPHENOL CORPORATION AND SHALL NOT BE REPRODUCED OR COPIED OR USED AS THE BASIS FOR THE MANUFACTURE OR SALE OF APPARATUS WITHOUT THE WRITTEN PERMISSION OF AMPHENOL CORPORATION.

REV	DATE	BY	DESCRIPTION
2			
C			

ASSEM: P1199-4P-DC-WAFER-A-PRELD 1.21  
DRAWING: P-154-4521-500 C.0  
SIZE D SCALE 6/1 SHEET 2 OF 5

8

7

6

5

4

3

2

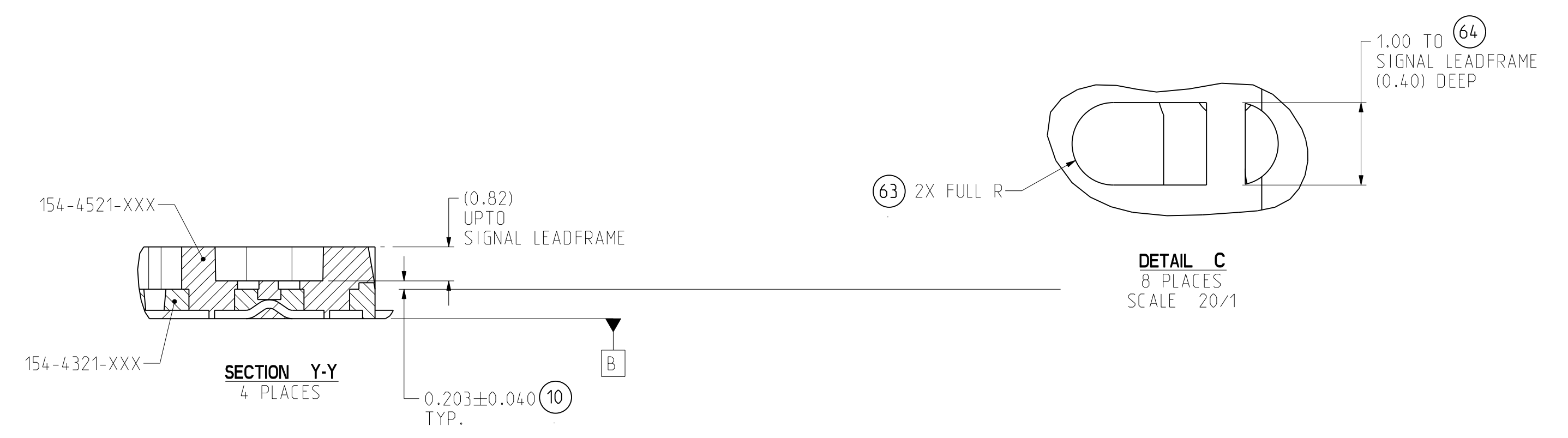
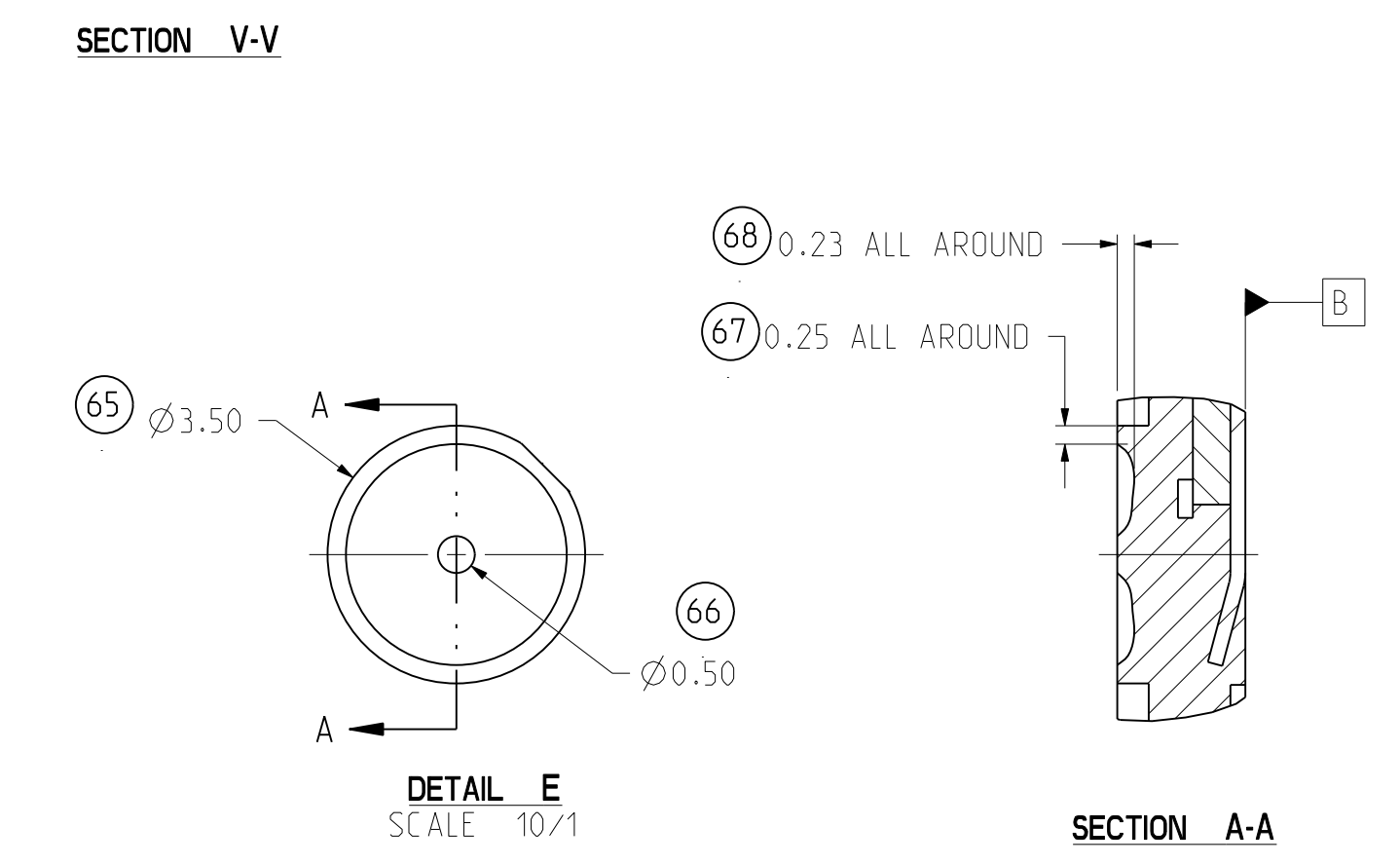
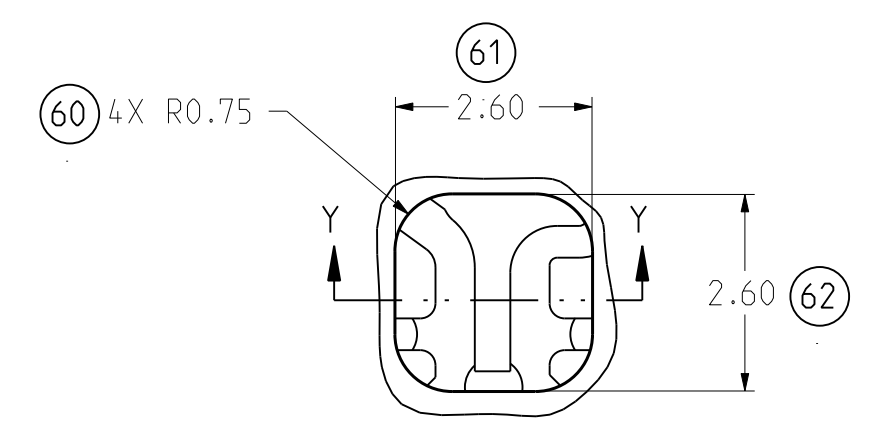
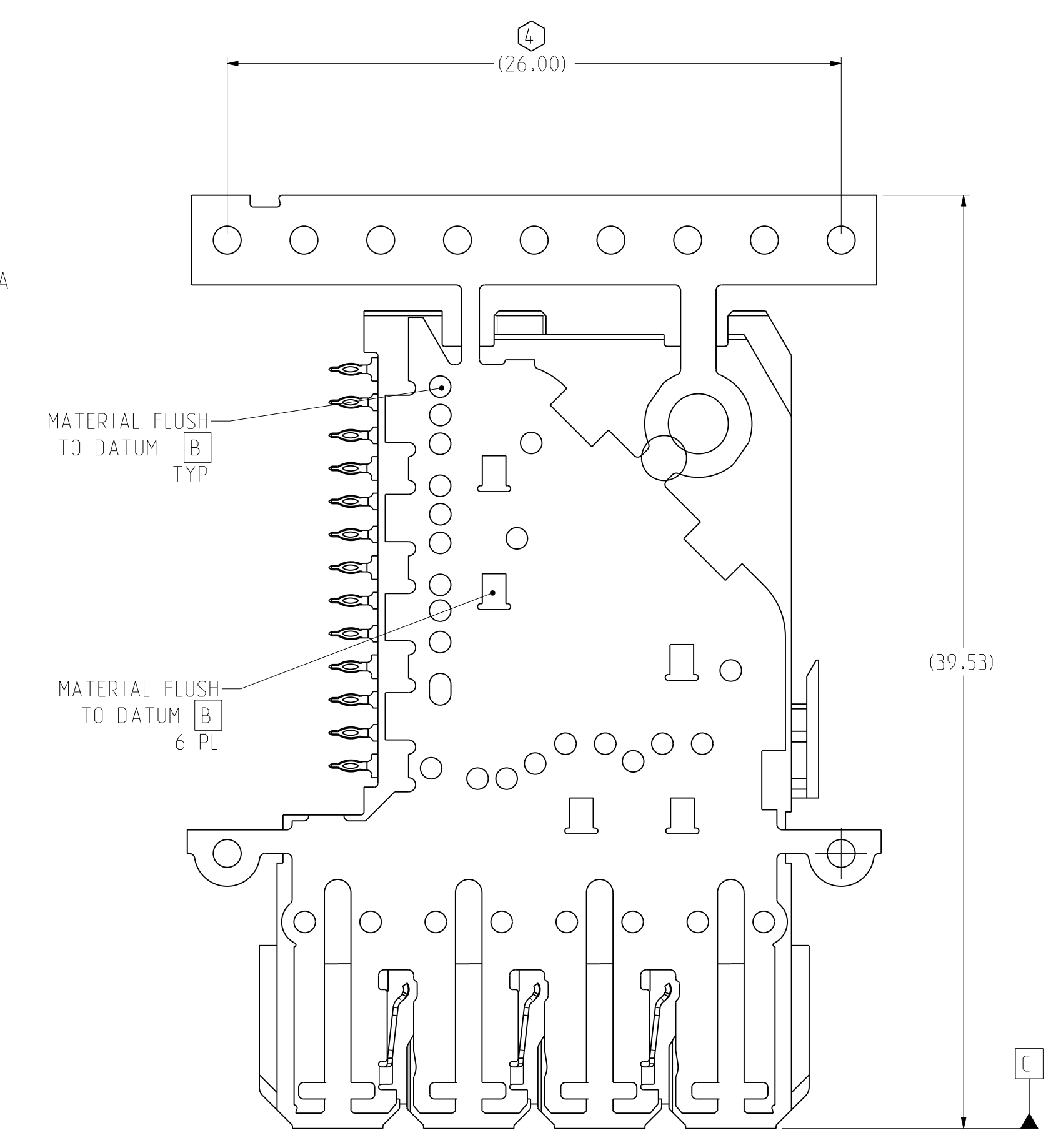
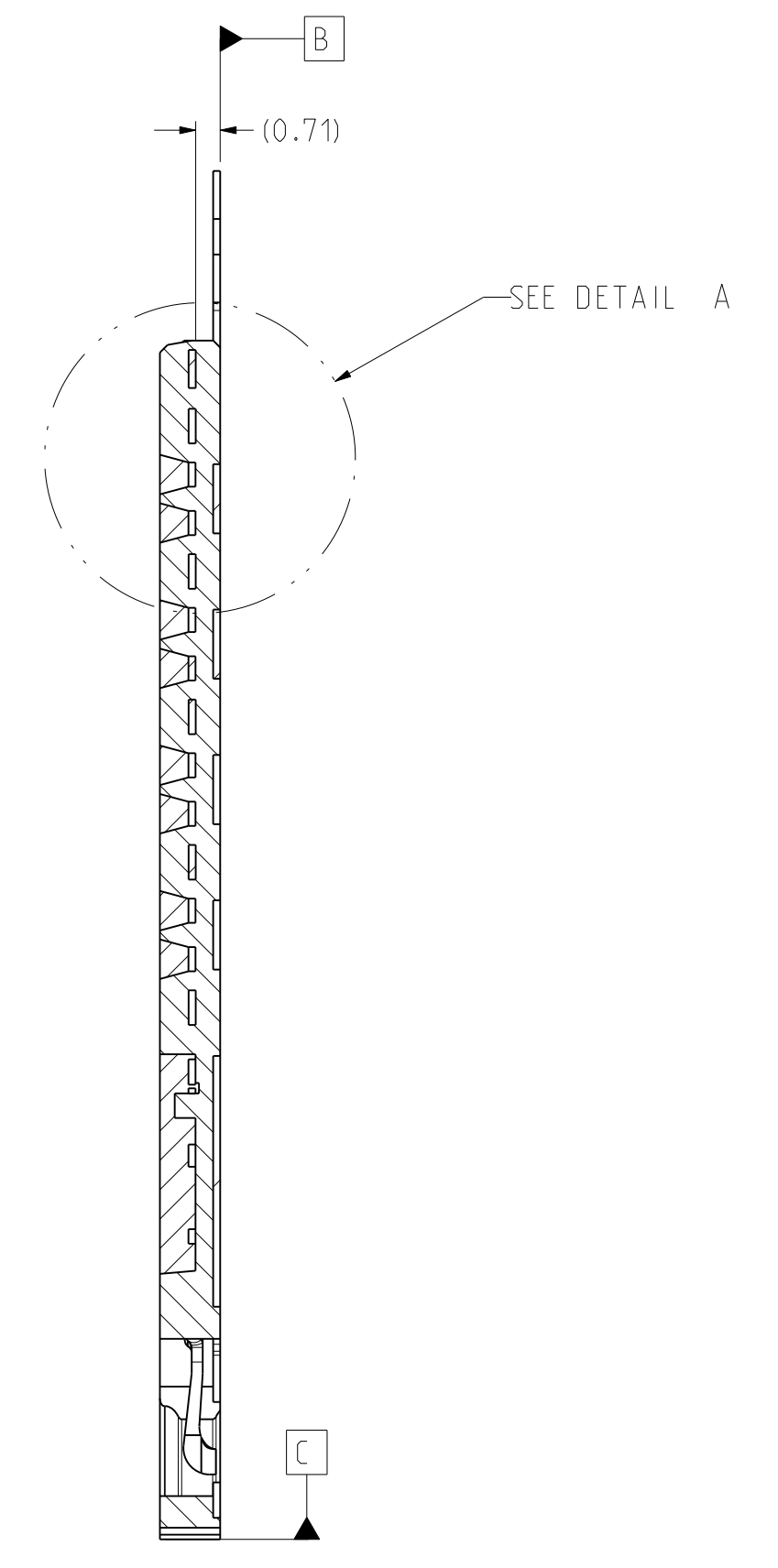
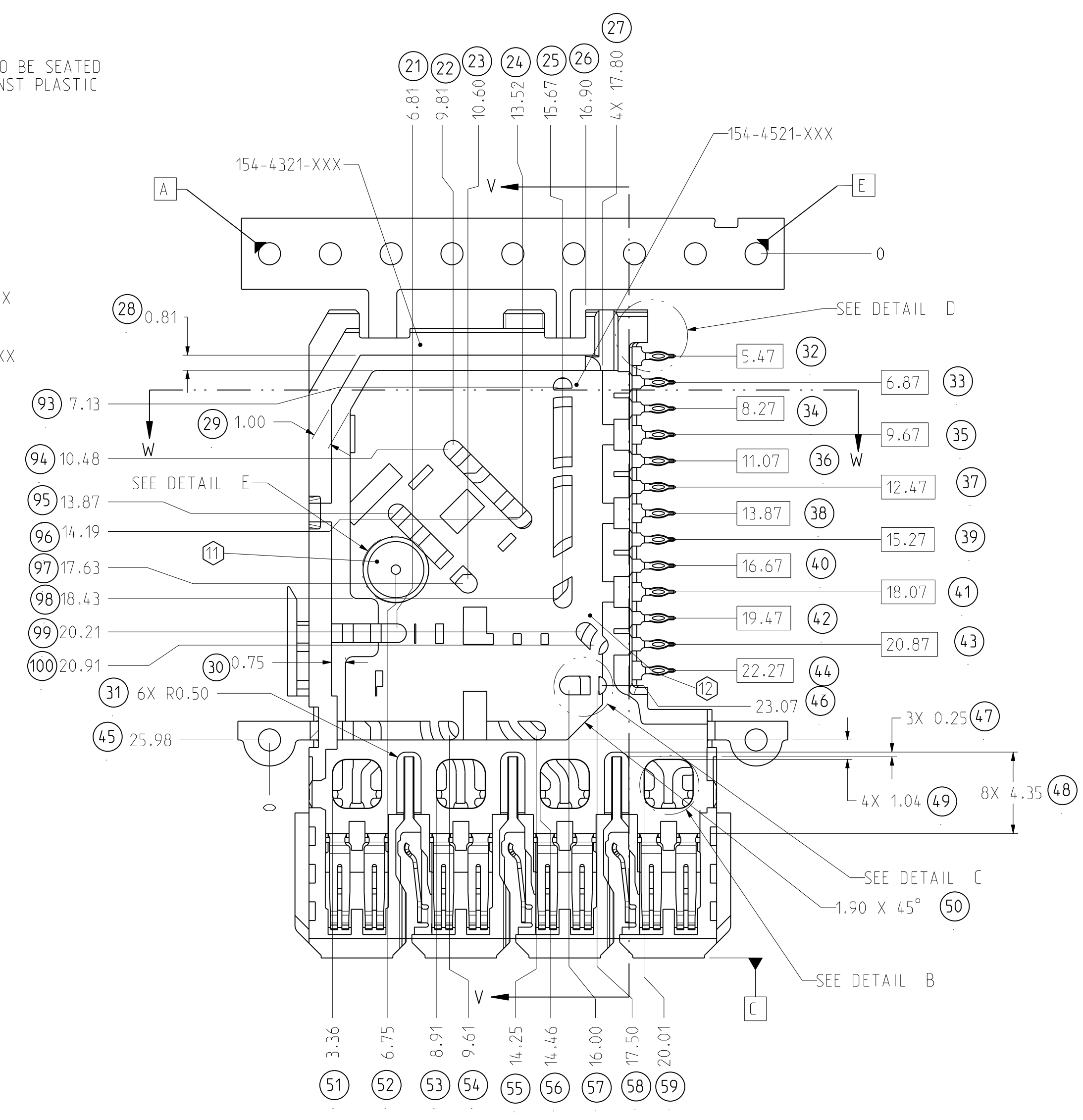
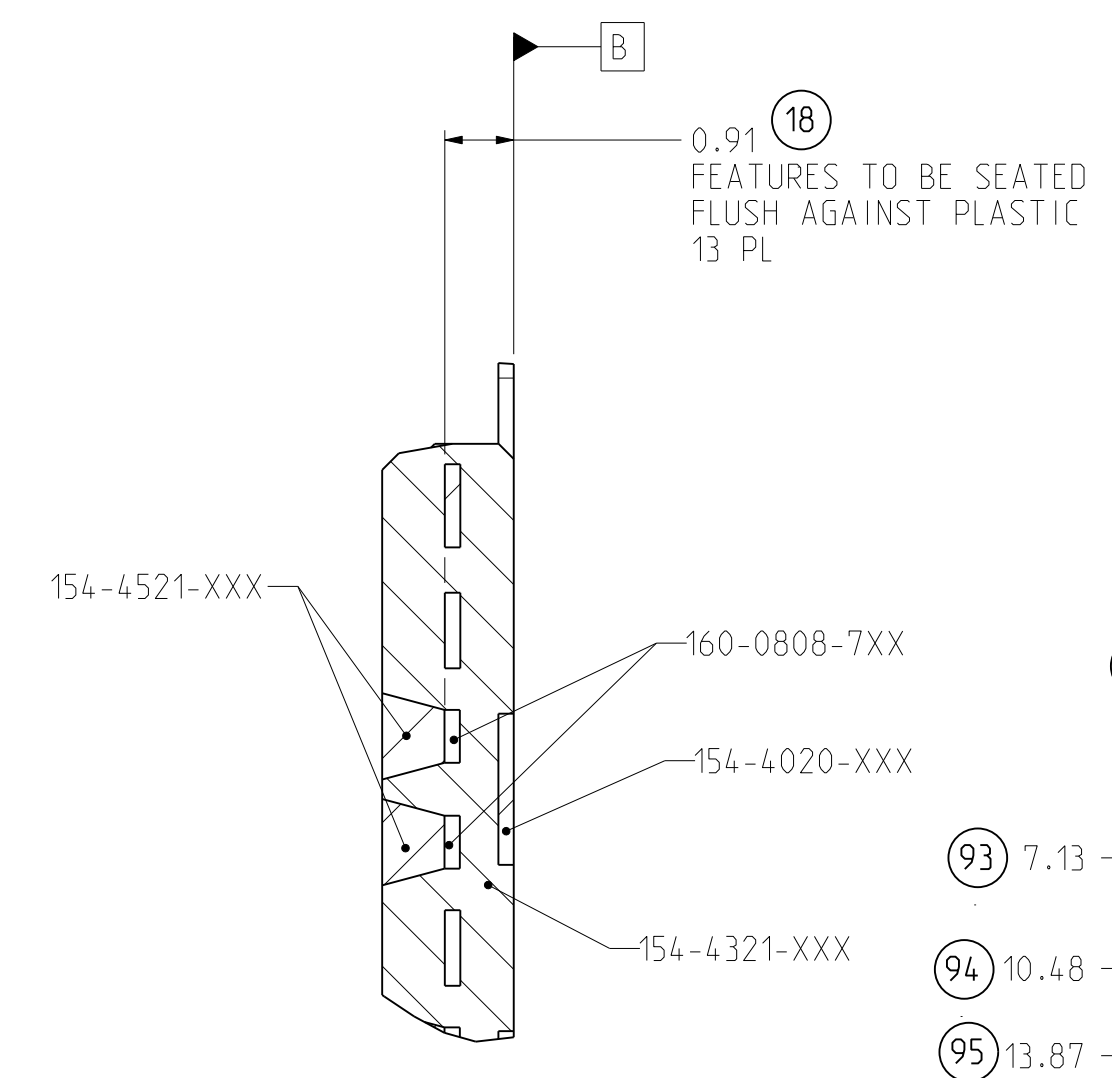
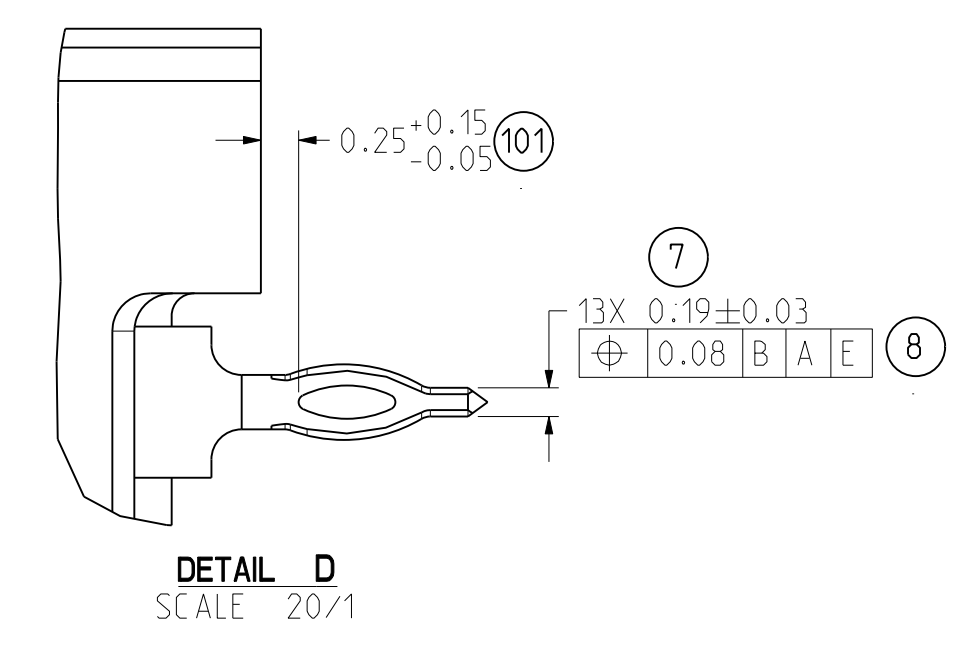
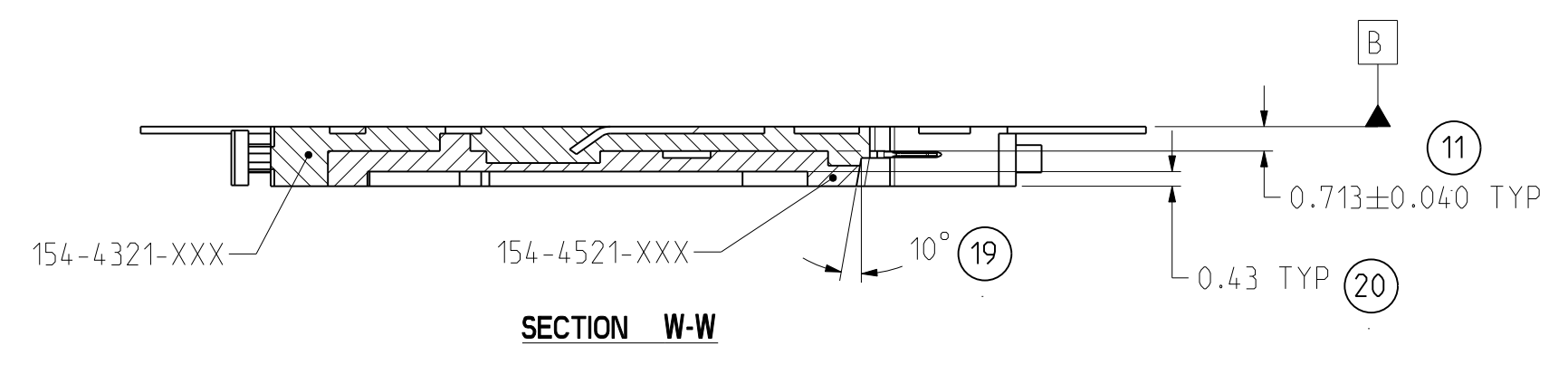
1

DRW NO. P-154-4521-500

SH 2

REV C

DRW NO.	P-154-4521-500	SH	3	REV	C	
ZONE	REV	SCR NUMBER	DESCRIPTION	BY	DATE	APPROVED
			SEE SHEET 1			



TOLERANCES		DESIGN	10/02/2010	M.RECEPUTO	
0.0	±0.15	DRAWN	02/28/2011	HCL-MR	
0.00	±0.05	CHK	02/28/2011	T.COHEN	
0.000	± -	APVD	02/28/2011	T.COHEN	
ANGLES	± 1°				

MATERIAL:		UNLESS OTHERWISE SPECIFIED DIMENSIONS ARE IN MM, DECIMAL MARKER IS A PERIOD.	THESE DRAWINGS AND SPECIFICATIONS ARE THE PROPERTY OF AMPHENOL CORPORATION AND SHALL NOT BE REPRODUCED OR COPIED OR USED AS THE BASIS FOR THE MANUFACTURE OR SALE OF APPARATUS WITHOUT THE WRITTEN PERMISSION OF AMPHENOL CORPORATION.
CODE IDENT 31413			

<b>Amphenol TCS</b>		A Division of Amphenol Corporation	
200 Innovative Way, Nashua, NH 03062 603.878.3000		TITLE DC WAFER, OVERMOLDED, A	
PART NO. SEE TABLE 1 & 2		4 PAIR GbX TW W/D CAPS. .0177" DRILL	
DRAWING NO.	P-154-4521-500	REV	C
ASSEM.	P1199-4P-DC-WAFER-A-PRELD	1.21	C.O
SIZE	D	SCALE	5/1
		SHEET 3 OF 5	

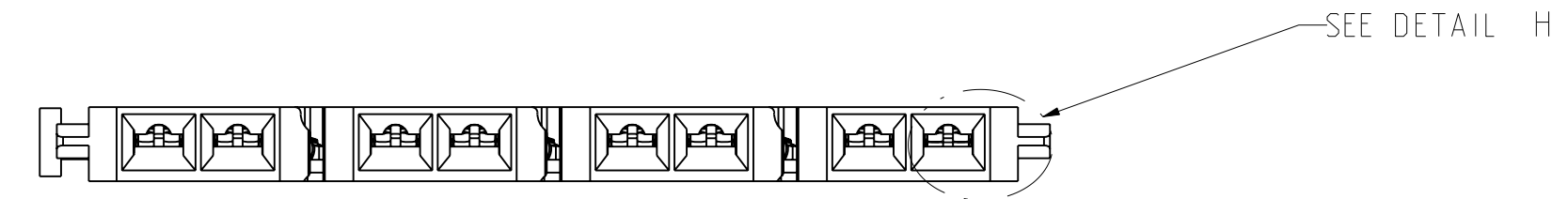
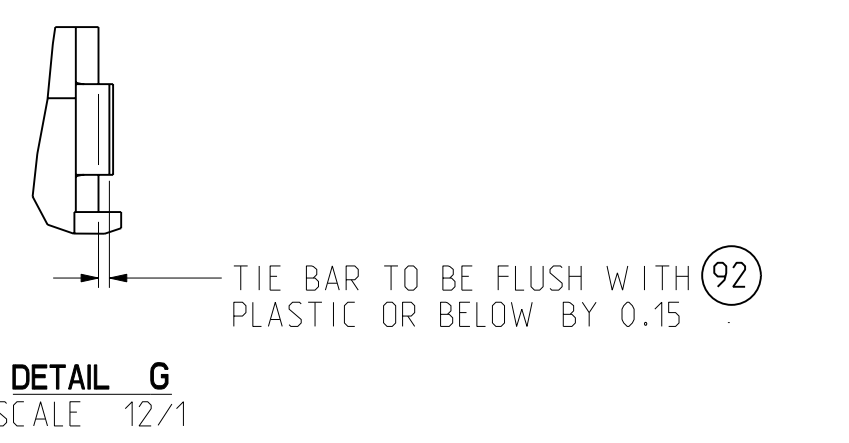
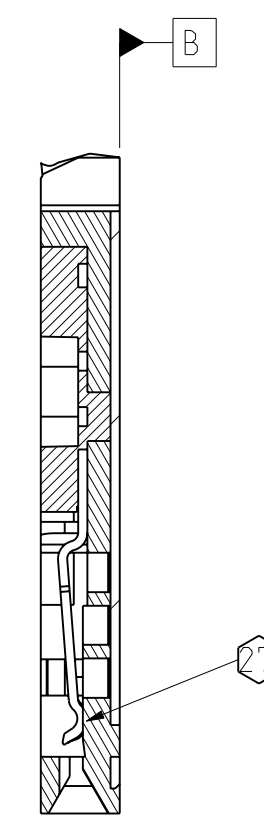
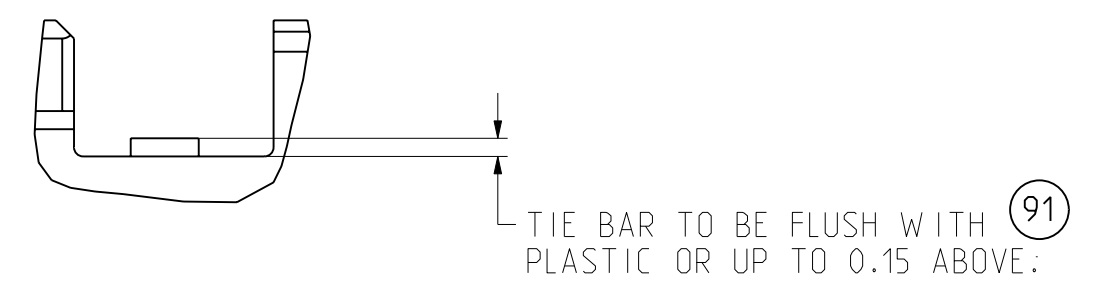
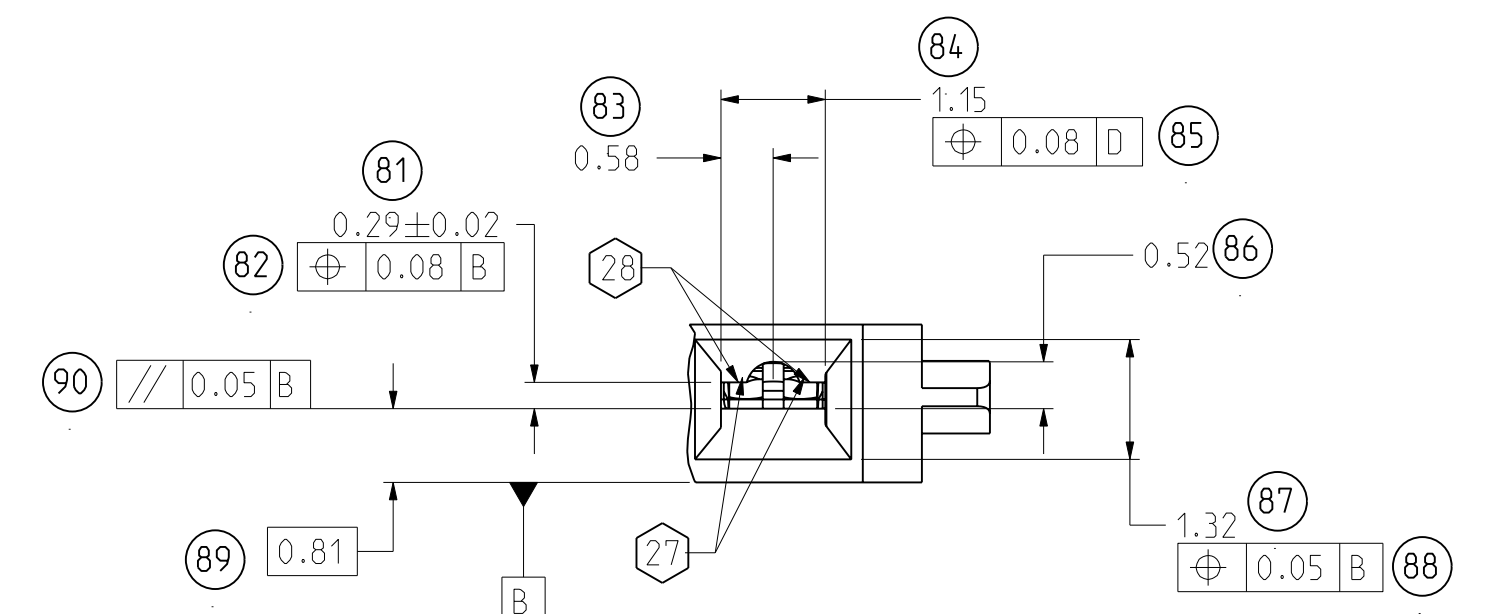
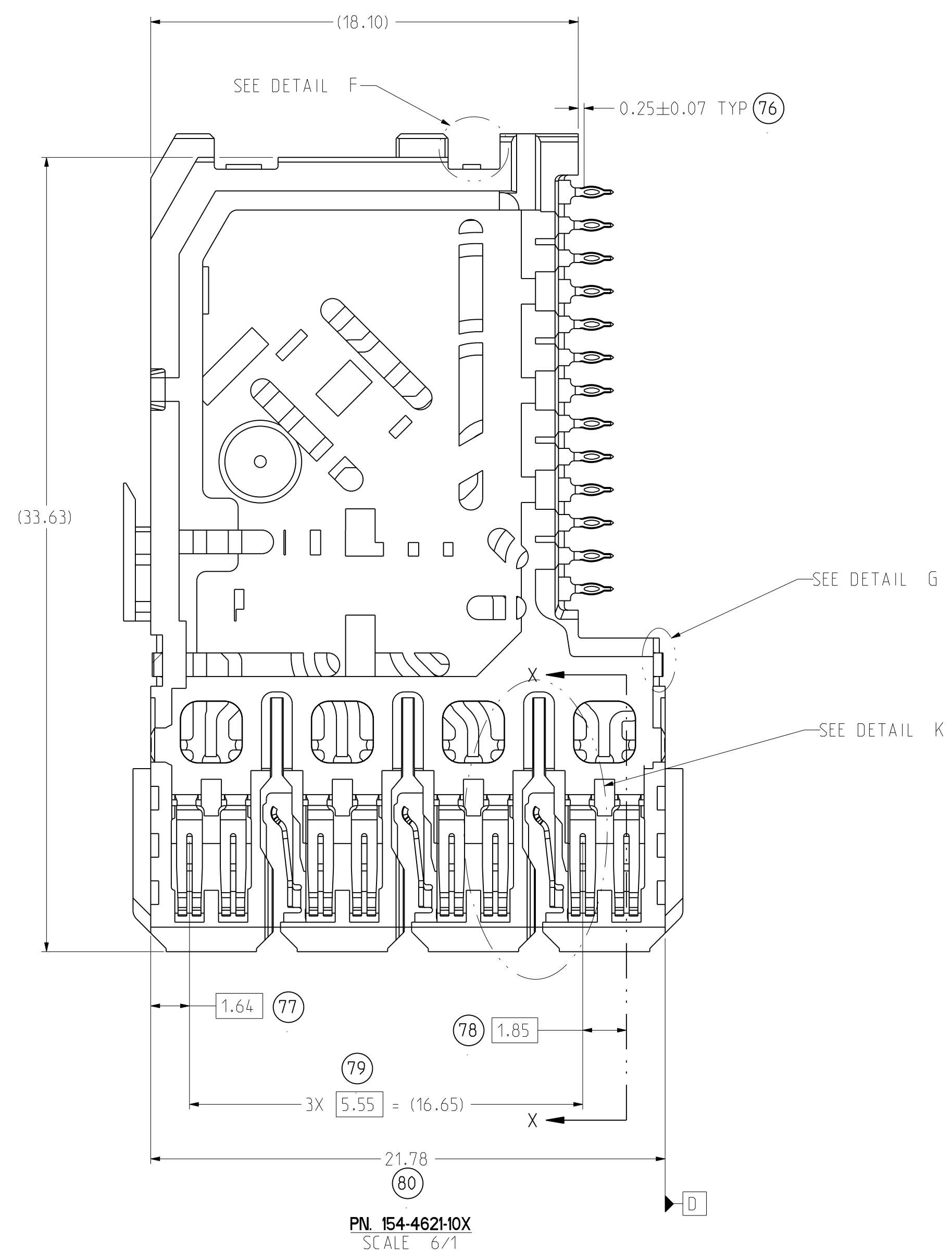
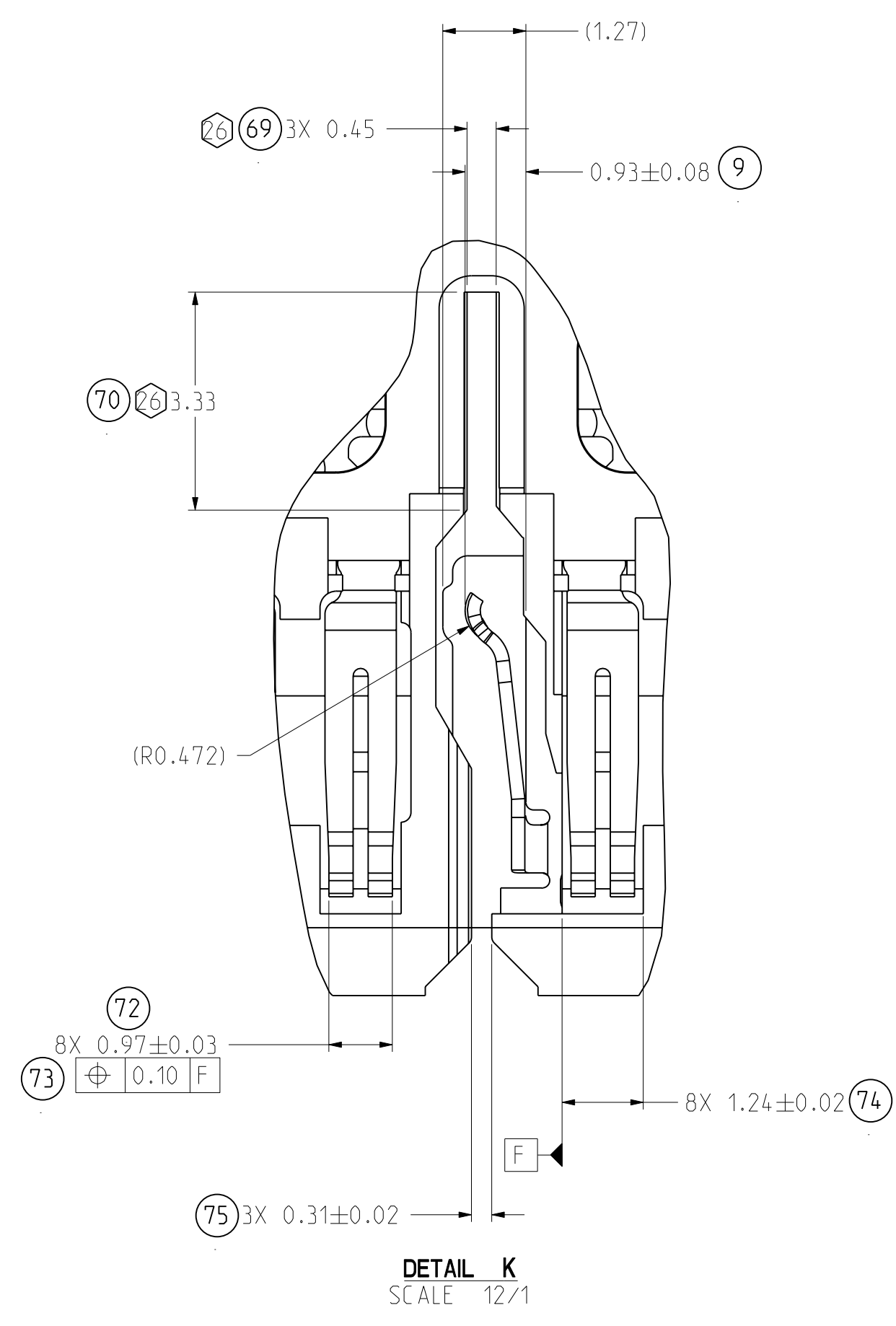
DRW NO. P-154-4521-500

SH 3 REV C

ZONE	REV	SCR NUMBER	DESCRIPTION	BY	DATE	APPROVED
			SEE SHEET 1			

D  
C  
B  
A

D  
C  
B  
A



- 24. ALL WAFERS TO BE ELECTRICALLY CHECKED FOR CONTINUITY AND HIPOT TESTED.
- 25. LOCATE SURFACE WITH FIXTURE PART NUMBER 693-1181-000.
- (26) EXPOSED METAL MUST BE PRESENT IN SLOT
- (27) BEAM MATING RADIUS ON PLASTIC.
- (28) NO BEAM TIPS VISIBLE IN WINDOW.

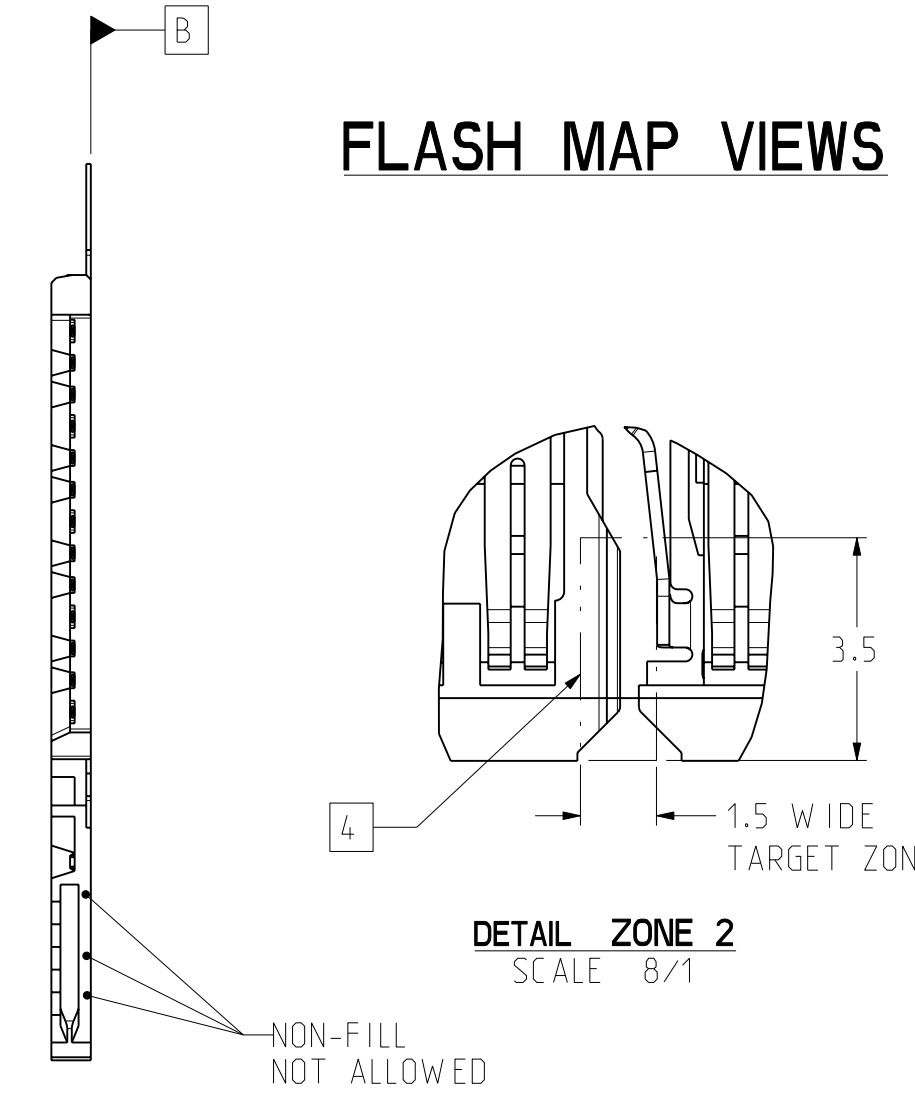
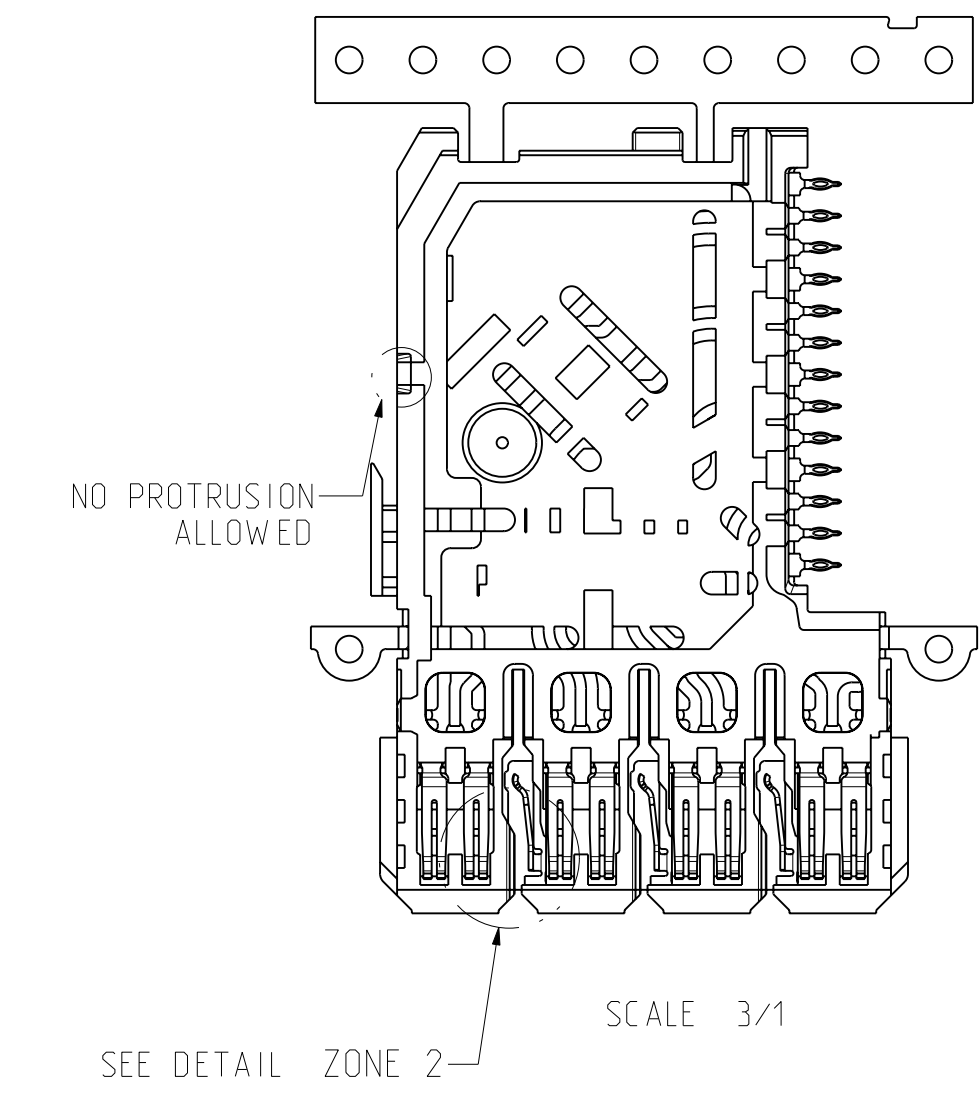
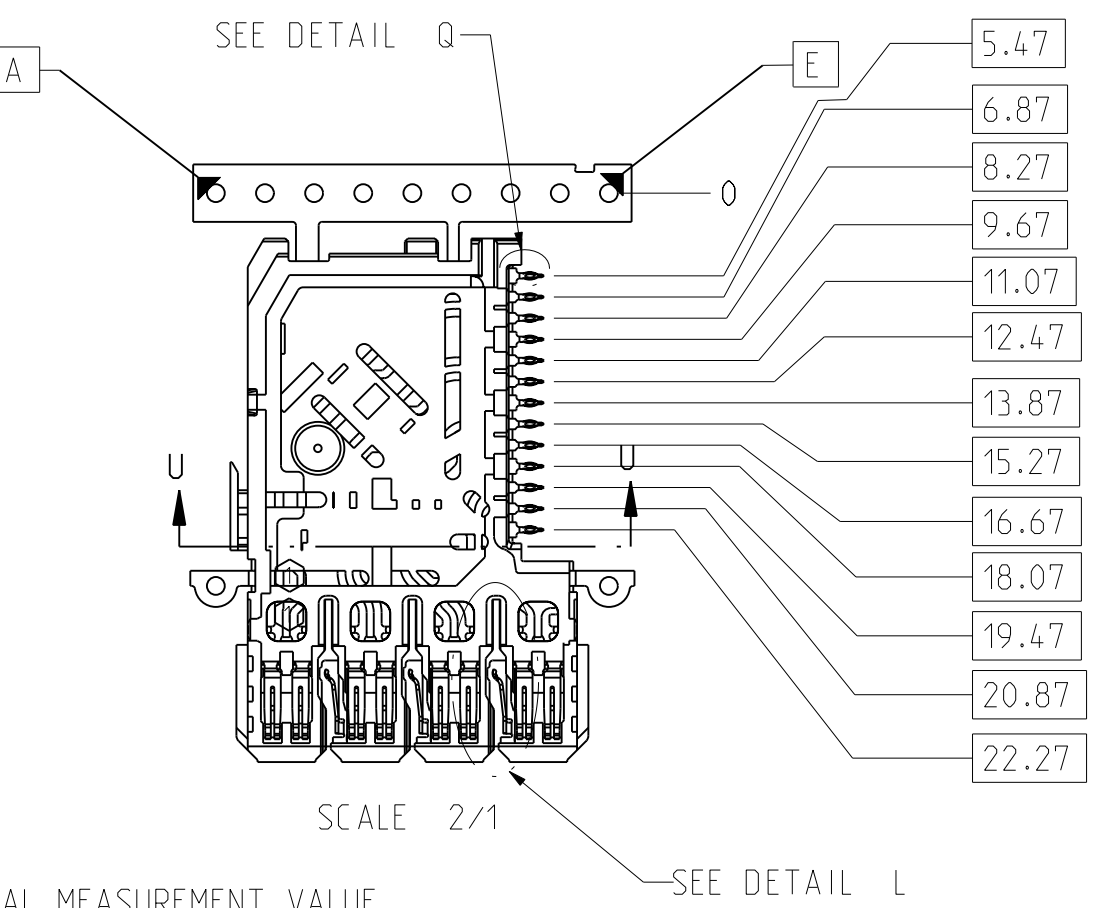
TOLERANCES		DESIGN 10/02/2010 M.RECEPUTO	<b>Amphenol TCS</b> A Division of Amphenol Corporation 200 Innovative Way, Nashua, NH 03062 603.878.3000	TITLE	DC WAFER, OVERMOLDED, A 4 PAIR GbX TW W/O CAPS. .0177" DRILL
0.0	±0.15	DRAWN 02/28/2011 HCL-MR		PART NO.	SEE TABLE 1 & 2
0.00	±0.05	CHK 02/28/2011 T.COHEN		DRAWING NO.	P-154-4521-500
0.000	±	APVD 02/28/2011 T.COHEN		ASSEM. P1199-4P-DC-WAFER-A-PRELD	1.21
ANGLES ± 1°		UNLESS OTHERWISE SPECIFIED DIMENSIONS ARE IN MM, DECIMAL MARKER IS A PERIOD		DRAWING: P-154-4521-500	C.O
MATERIAL: (1)		THESE DRAWINGS AND SPECIFICATIONS ARE THE PROPERTY OF AMPHENOL CORPORATION AND SHALL NOT BE REPRODUCED OR COPIED OR USED AS THE BASIS FOR THE MANUFACTURE OR SALE OF APPARATUS WITHOUT THE WRITTEN PERMISSION OF AMPHENOL CORPORATION.		SIZE D	SCALE 6/1
CODE IDENT 31413				SHEET 4 OF 5	

ZONE	REV	SCR NUMBER	DESCRIPTION	BY	DATE	APPROVED
			SEE SHEET 1			

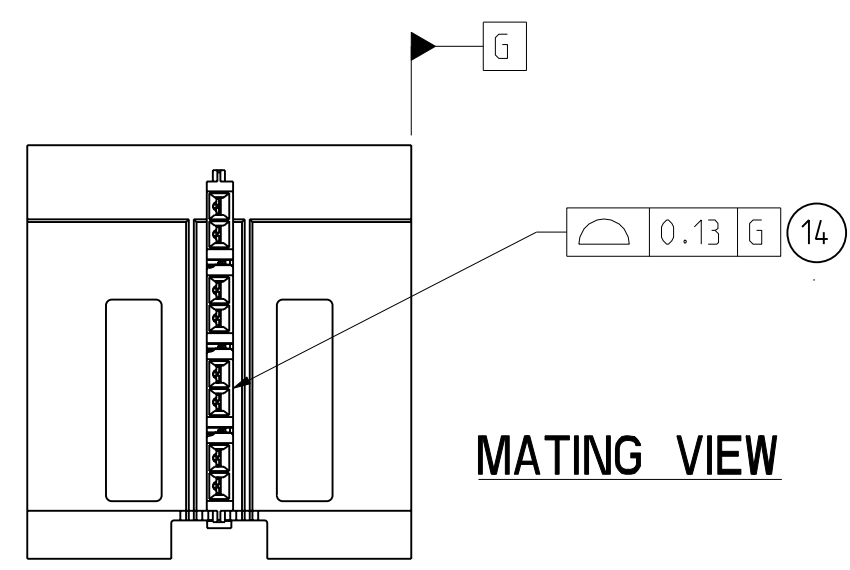
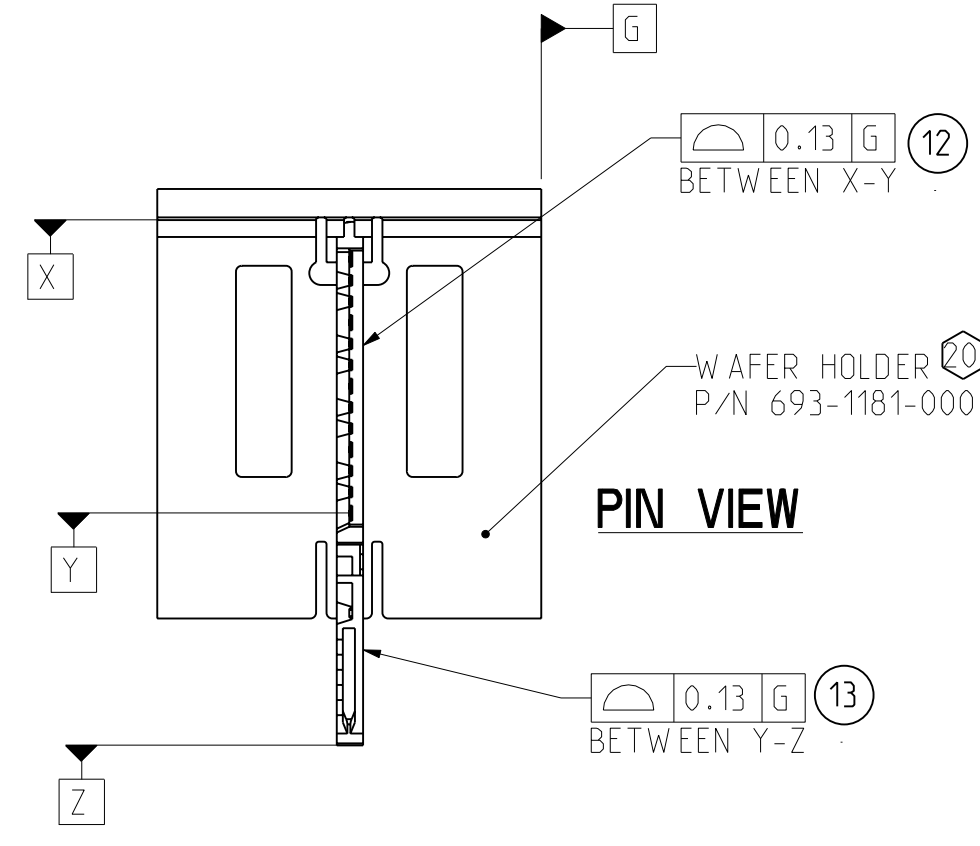
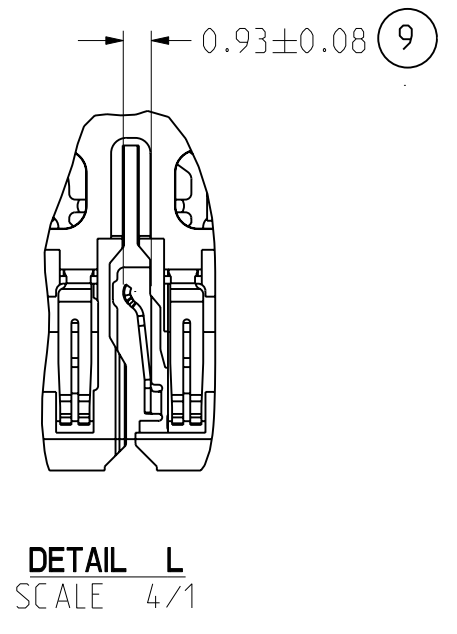
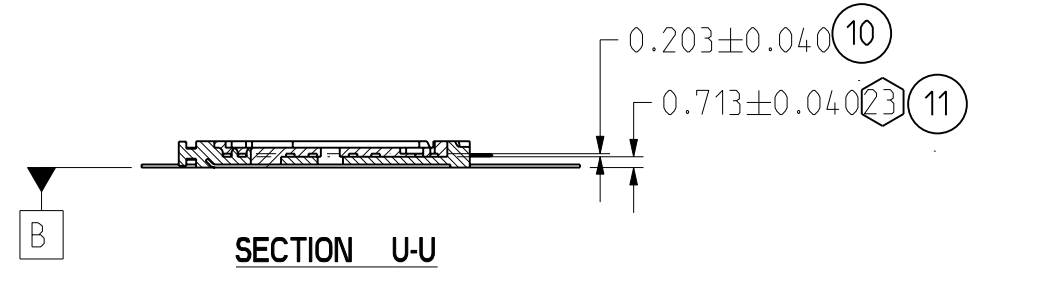
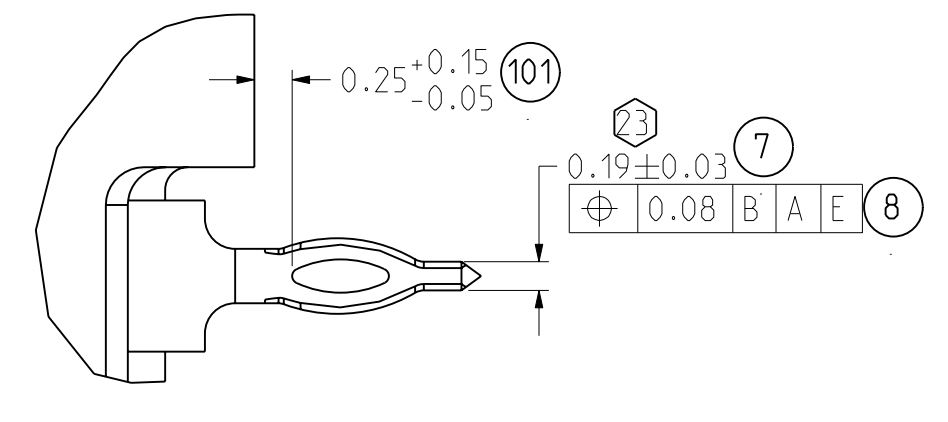
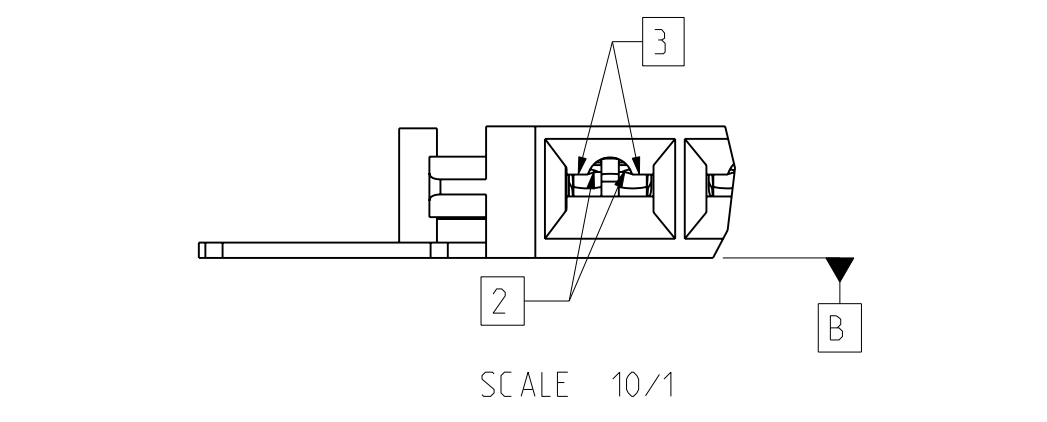
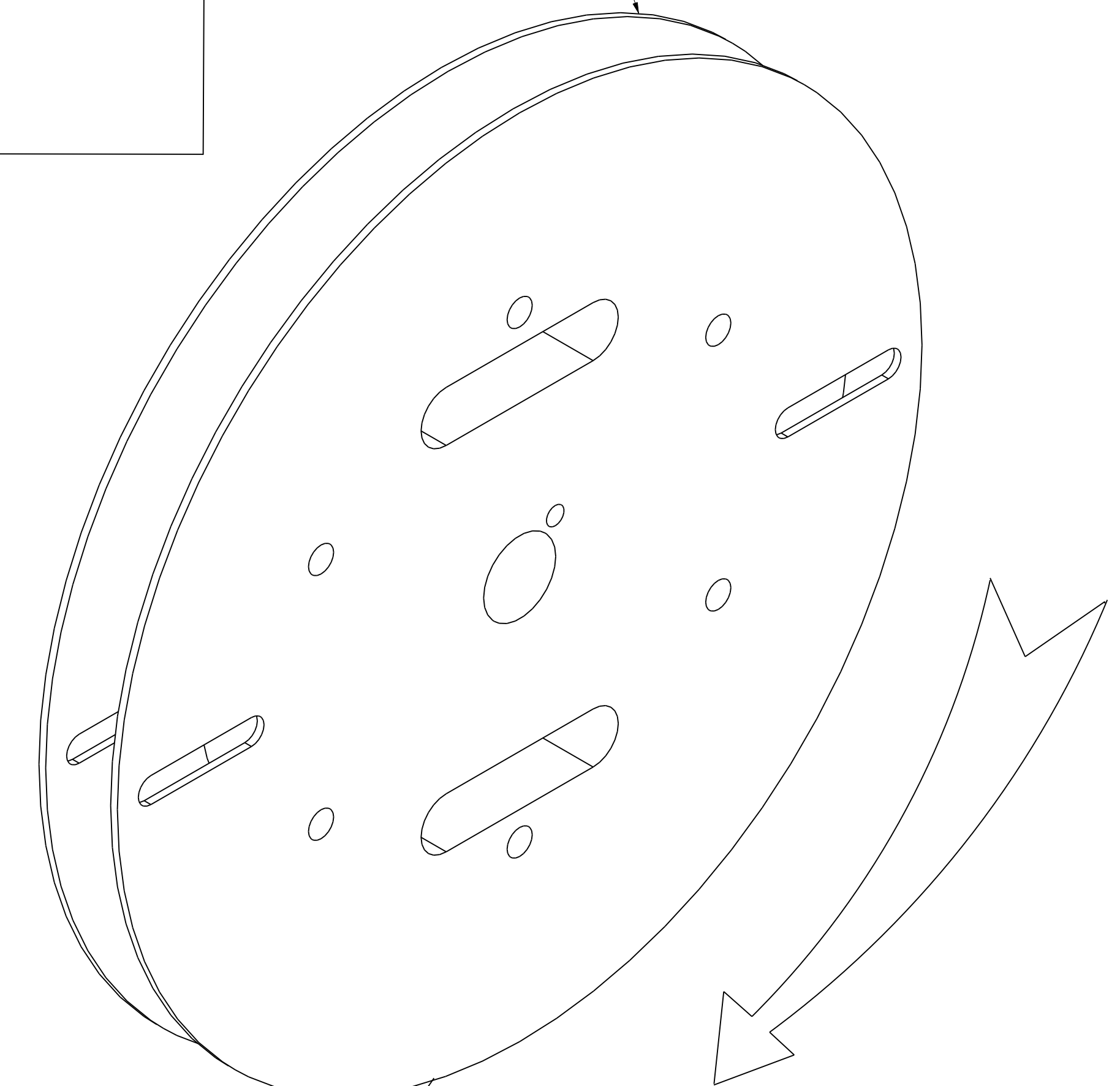
**FIRST PIECE INSPECTION REQUIREMENTS**

ITEM	FEATURE	METHOD	NOTES
1	CORRECT REEL NO. AND ORIENTATION	VISUAL	
2	BEAM MATING RADIUS ON PLASTIC	VISUAL	
3	NO BEAM TIPS IN WINDOW	VISUAL	
4	FLASH PER NOTES 2 & 9	VISUAL	
5	CAMBER/TWIST/COILSET PER EGPS-201	VISUAL	
6	COMPLIANT COIN RADIUS	VISUAL	

• ALL BALLOONED DIMENSIONS IN THIS SHEET MUST HAVE AN ACTUAL MEASUREMENT VALUE  
 NOTES:  
 23 THESE FEATURES MUST BE MEASURED IN-PROCESS USING SPC.



REEL P/N: 801-1449-000  
 INTERLEAF PAPER P/N: 801-1248-000



- GENERAL SPECIFICATIONS  
 0.20 FLASH ACCEPTABLE
- 1 WINDOW FLASH .05 MAX
  - 2 .10 MAX
  - 3 .10 MAX
  - 4 .30 MAX SEE NOTE 1

NOTE:  
 1. FLASH NOT TO EXCEED OVERALL THICKNESS SPECIFICATIONS

PROFILE MEASURING TECHNIQUE

MATERIAL: 1  
 INTERPRET PER ASME Y14.5M  
 CODE IDENT 31413

TOLERANCES	DESIGN	DATE	DESIGNER
0.0	±0.15	10/02/2010	M.RECEPUTO
0.00	±0.05	02/28/2011	HCL-MR
0.000	± -	02/28/2011	T.COHEN
ANGLES	± 1°	02/28/2011	T.COHEN

**Amphenol TCS**  
 A Division of Amphenol Corporation  
 200 Innovative Way, Nashua, NH 03082 603.878.3000

TITLE: DC WAFER, OVERMOLDED, A 4 PAIR GbX TW W/O CAPS, .0177" DRILL

PART NO. SEE TABLE 1 & 2

DRAWING NO. P-154-4521-500

ASSEM: P1199-4P-DC-WAFER-A-PRELD  
 DRAWING: P-154-4521-500

SIZE D SCALE 6/1 SHEET 5 OF 5

DRW NO. P-154-4521-500

SH 5 REV C