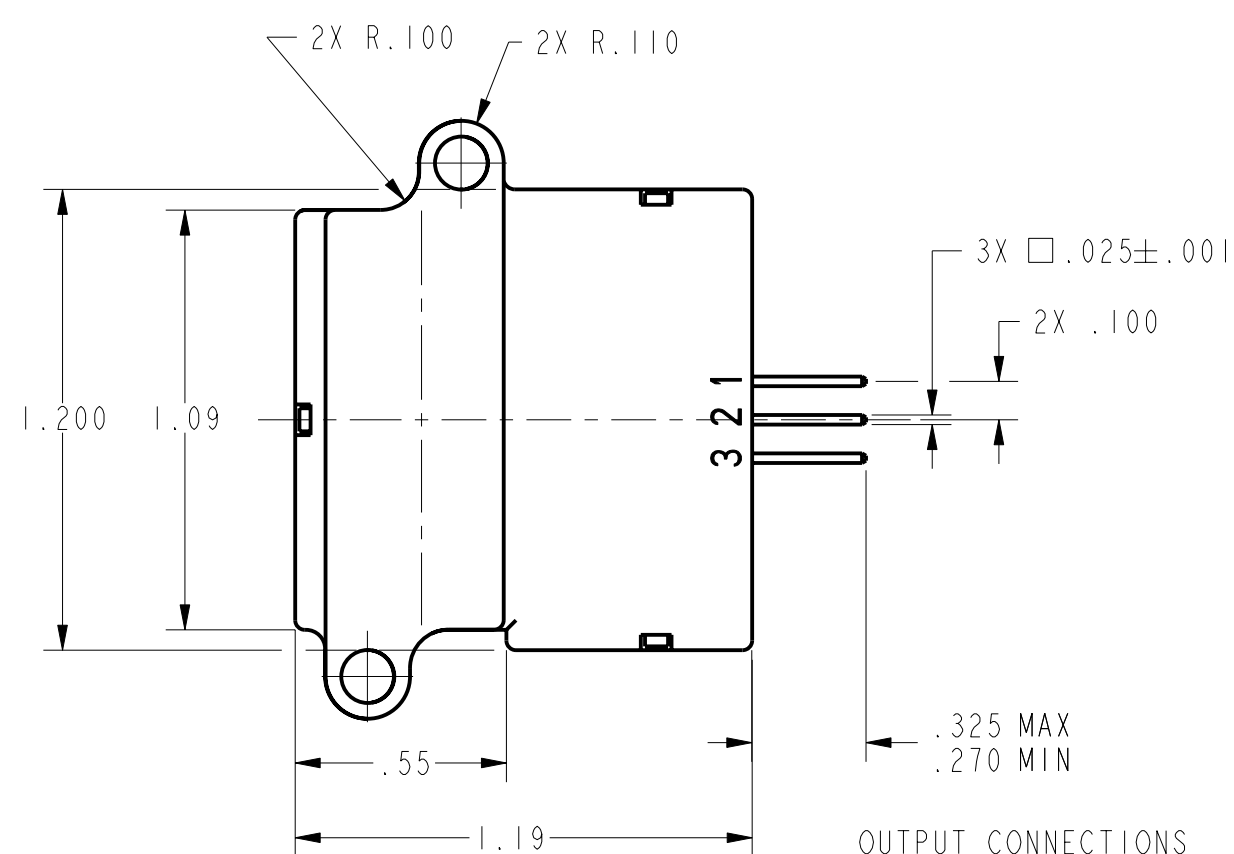
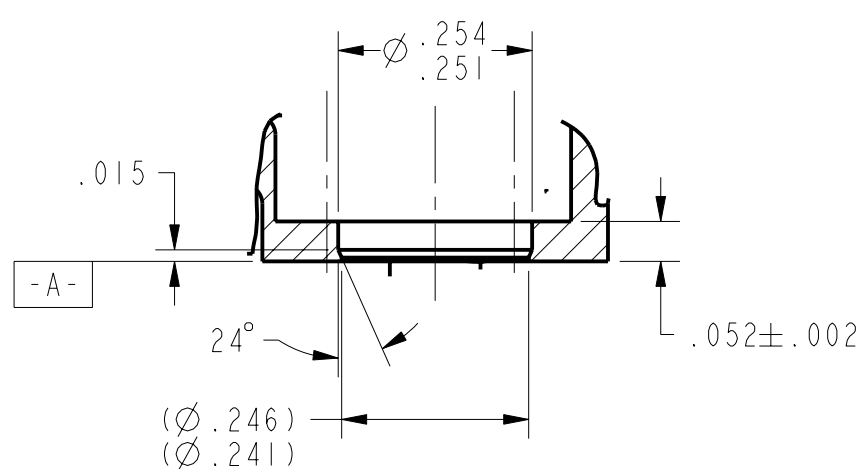
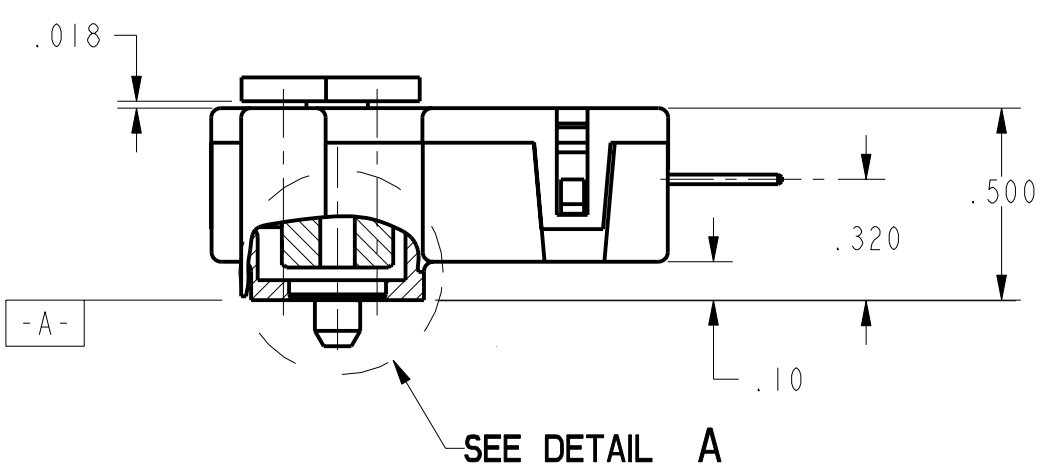
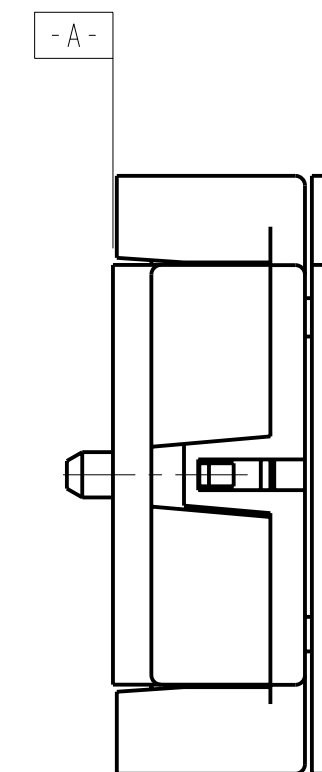
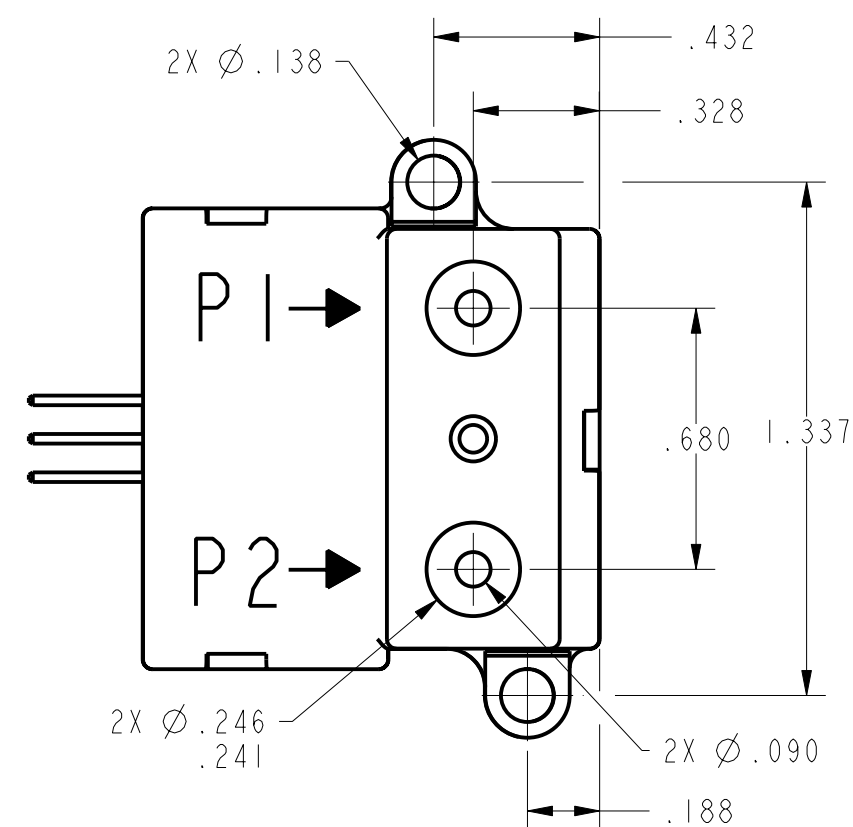
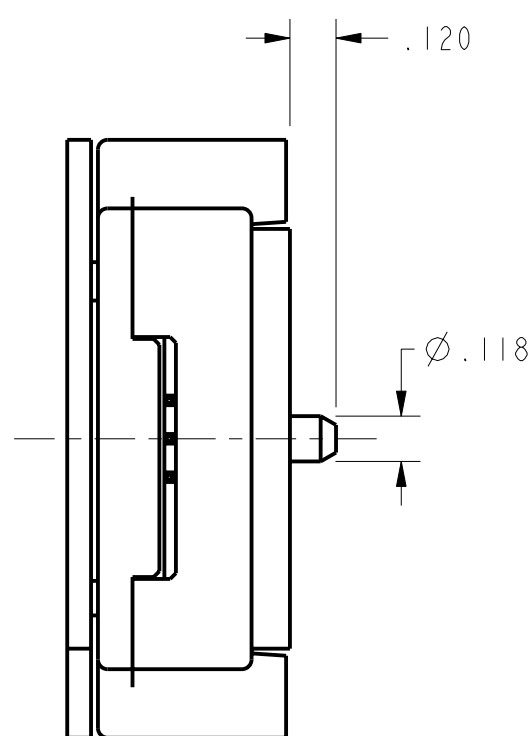


M

AWM43300VH



OUTPUT CONNECTIONS  
 1 - OUTPUT  
 2 - SUPPLY  
 3 - GROUND



DETAIL A  
 SCALE 4:1

CATALOG LISTING: AWM43300VH

ELECTRICAL SPECIFICATIONS	MIN	NOM	MAX	UNITS	NOTES
RECOMMENDED EXCITATION	9.990	10.000	10.010	Vdc	
POWER SUPPLY (MIN/MAX)	8.000	---	15.000	Vdc	
POWER CONSUMPTION	---	---	60	mW	
OUTPUT LOADING	SINK 10 mA SOURCE 20 mA				
CALIBRATION GAS	NITROGEN				
NULL OUTPUT SHIFT:					
-25°C TO +85°C	---	---	±.025	Vdc	
FULL SCALE OUTPUT SHIFT:					
-25°C TO +25°C	---	---	-5.0	% READ	
+25°C TO +85°C	---	---	+6.0	% READ	
RATIOMETRICITY ERROR	---	±.3	---	% READ	(TYPICAL)
REPEATABILITY & HYSTERESIS	---	---	±.5	% READ	(1)
RESPONSE TIME	---	1.0	---	msec	
FLOW SPECIFICATIONS	FLOW	NOMINAL	±TOL		
	(Scm)	(Vdc)	(Vdc)		
	1000	5.000	0.15		
	900	4.970	0.16		
	800	4.885	0.17		
	700	4.775	0.18		
	600	4.630	0.19		
	500	4.430	0.20		
	400	4.155	0.21		
	300	3.760	0.19		
	200	3.225	0.17		
	100	2.485	0.14		
	0	1.000	0.05		
MECHANICAL SPECIFICATION	SPECIFICATION LIMITS				
PRESSURE DROP @ FULL SCALE	1.02 IN. H2O TYP				
TEMPERATURE RANGE					
OPERATING	-25 TO +85°C				
OVERPRESSURE	150 PSI				
MAXIMUM ALLOWABLE RATE OF FLOW CHANGE THROUGH SENSOR TO PREVENT DAMAGE 5LPM/SEC					
NOTES: 1 - REPEATABILITY & HYSTERESIS TOLERANCES REFLECT INHERENT INACCURACIES OF THE MEASUREMENT EQUIPMENT					

AWM43300VH

1

REVISIONS

PTC/CAD  
 DRAWN  
 T S M 24 OCT 00  
 CHECK  
 S A V 24 OCT 00  
 CHECK  
 RELEASE NO. 201562

ANSI Y14.5M-1982 APPLIES

THIS DRAWING COVERS A PROPRIETARY ITEM AND IS THE PROPERTY OF MICRO SWITCH, A DIVISION OF HONEYWELL. THIS DRAWING IS NOT TO BE COPIED OR USED WITHOUT THE APPROVAL OF MICRO SWITCH.

**MICRO SWITCH**  
 a Honeywell Division

**MASS AIRFLOW SENSOR**

CATALOG LISTING  
**AWM43300VH**

THIRD ANGLE PROJECTION

SCALE 2:1

DO NOT SCALE PRINT

UNLESS OTHERWISE SPECIFIED TOLERANCES ARE

ONE PLACE	(.0)	±.030
TWO PLACES	(.00)	±.015
THREE PLACES	(.000)	±.005
ANGLES		±

WEIGHT