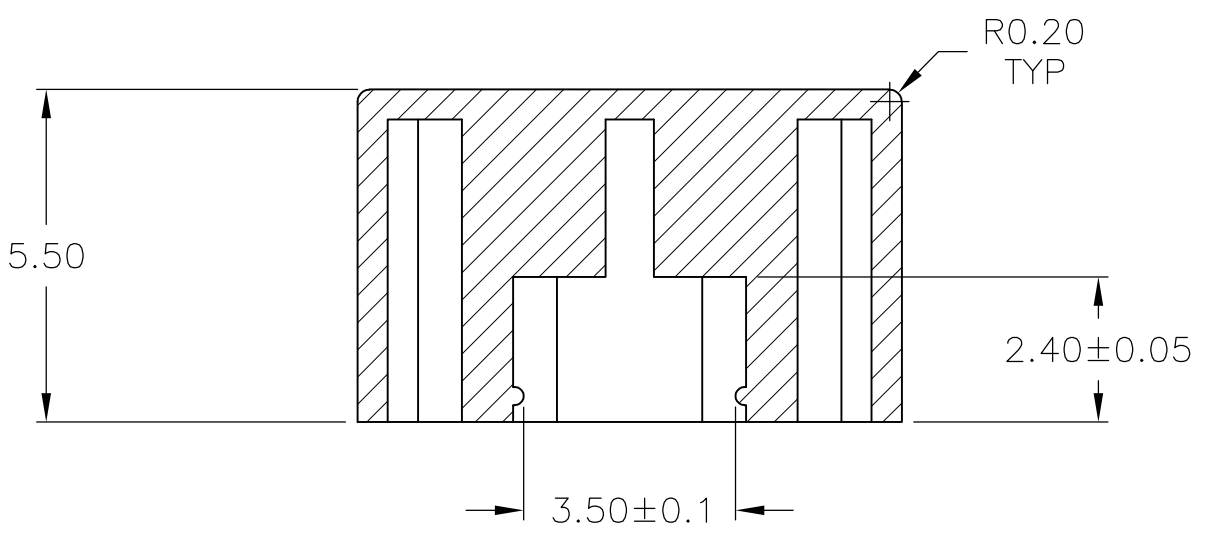
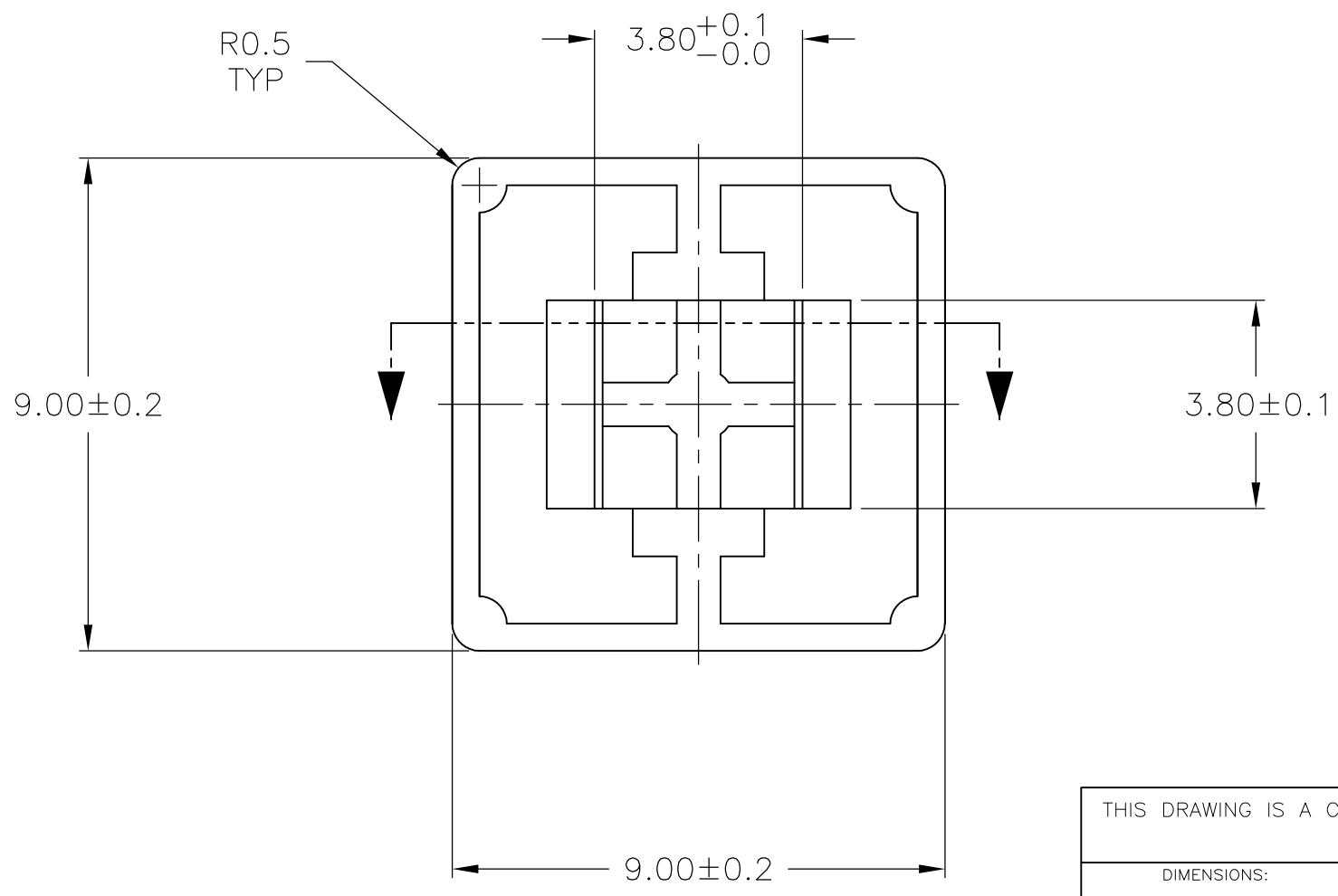


THIS DRAWING IS UNPUBLISHED. RELEASED FOR PUBLICATION  
 © COPYRIGHT - By - ALL RIGHTS RESERVED.

| LOC | DIST | REVISIONS   |                           |         |        |
|-----|------|-------------|---------------------------|---------|--------|
| P   | LTR  | DESCRIPTION | DATE                      | DWN     | APVD   |
| AD  | 00   | F3          | REVISED PER ECO-12-022192 | 28DEC12 | HMR PO |



- 1 KEYCAP MUST WITHSTAND WAVE SOLDER PREHEAT TEMPERATURES OF 180°F.
- 2 OBSOLETE PARTS: OBSOLETE CIS STREAMLINING PER D.RENAUD/D.SINISI



| COLOR  | PART NUMBER          |
|--------|----------------------|
| YELLOW | 1571384-7            |
| RED    | <del>1571384-6</del> |
| VIOLET | 1571384-5            |
| BLACK  | 1571384-4            |
| BLUE   | 1571384-3            |
| ORANGE | 1571384-2            |
| GREEN  | 1571384-1            |

|  |          |                       |                            |                 |
|--|----------|-----------------------|----------------------------|-----------------|
| THIS DRAWING IS A CONTROLLED DOCUMENT. |          | DWN R BROWN 29SEP03   | <b>STE</b> TE Connectivity |                 |
| DIMENSIONS: mm                         |          | CHK M SARVER 29SEP03  |                            |                 |
| TOLERANCES UNLESS OTHERWISE SPECIFIED: |          | APVD M SARVER 29SEP03 | NAME                       |                 |
| 0 PLC ± -                              |          | PRODUCT SPEC          | KEY CAP                    |                 |
| 1 PLC ± -                              |          | APPLICATION SPEC      | RESTRICTED TO              |                 |
| 2 PLC ± 0.30                           |          | WEIGHT -              | SIZE A3                    | CAGE CODE 00779 |
| 3 PLC ± -                              |          | CUSTOMER DRAWING      | DRAWING NO C-1571384       | SCALE 8:1       |
| 4 PLC ± -                              |          |                       | SHEET 1 OF 1               | REV F3          |
| ANGLES ± -                             |          |                       |                            |                 |
| MATERIAL ABS                           | FINISH - |                       |                            |                 |