

15.6" Wide Panel PC

AFL2-W15A-N270

Intel® Atom™ N270 Processor



Features

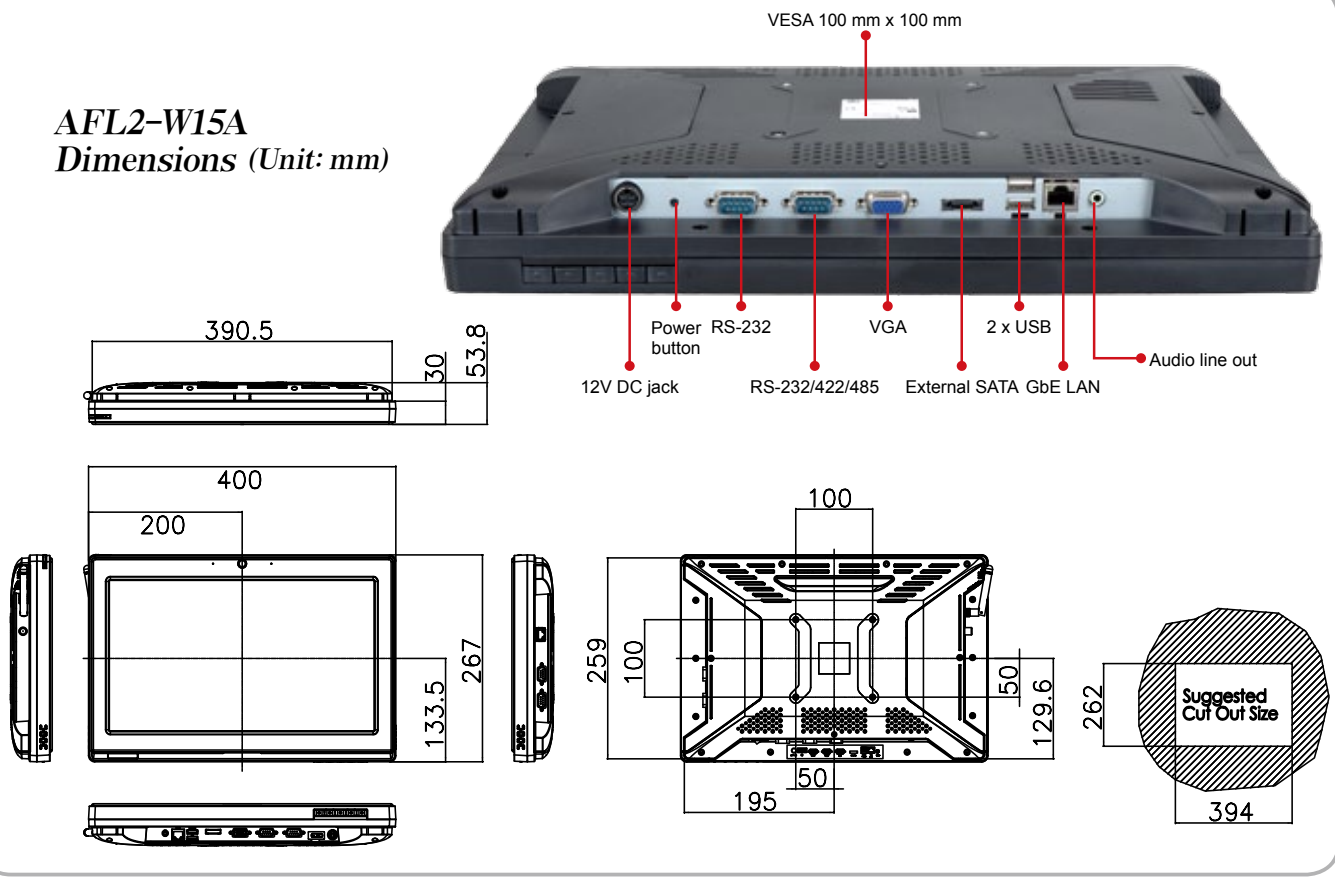
- Flat-bezel LCD with LED backlight
- Intel® Atom™ processor N270 1.6 GHz processor
- one 400 MHz or 533 MHz DDR2 SO-DIMM (max. 2GB)
- Projected capacitive type flat touch screen/ Resistive type 5-wire flat touch screen supported
- Wi-Fi 802.11b/g/n supported
- Optional EM or Mifare RFID reader
- Built-in 2 M pixels webcam
- Built-in two 1.5W speakers and microphone
- IP 64 compliant front panel



Specifications

	Model	AFL2-W15A-N270	
LCD Specifications	Size	Wide 15.6" TFT LCD	
	Resolution	1366 x 768	
	Brightness (cd/m ²)	300	
	Contrast Ratio	500:1	
	LCD Color	16.7M	
	Pixel Pitch (mm)	0.252 (H) x 0.252 (V)	
	Viewing Angle (H-V)	170° (H) / 160° (V)	
	Backlight MTBF	50000 hrs (LED backlight)	
Touch	Touch Screen	5-wire resistive type with RS232 interface / projected capacitive type with USB interface	
	Touch Controller	PenMount DMC9000 / EETI EXC7200 & EXC5404	
System	CPU	Intel® Atom™ processor N270 1.6 GHz CPU	
	Chipset	Intel® 945GSE + ICH7M	
	RAM	Support one 400 MHz or 533 MHz DDR2 SO-DIMM (max. 2GB)	
	Ethernet	Realtek RTL8111E PCIe GbE controller supporting ASF 2.0	
	Audio Codec	Realtek ALC888 HD Audio codec	
	Storage	CF Type II 1 x 2.5" SATA HDD Bay	
	Watchdog Timer	Software programmable supports 1~255 sec. system reset	
	Input / Output		1 x RS-232 COM port 1 x Audio port (Line out)
			1 x RS-232/422/485 COM port 1 x VGA
			1 x RJ-45 for GbE LAN 1 x Power jack
		2 x USB 2.0 1 x External SATA	
		1 x Power switch 1 x Reset button	
Other Features	Audio	AMP 1.5 W + 1.5 W (internal speaker)	
	Camera	2 M pixels with low light function	
	RFID Reader	EM 125 KHz or Mifare 13.56 MHz card reader (optional)	
	OSD Function	LCD on/off, brightness up/down, volume up/down	
	Ambient Light Sensor	Yes	
	Infrared Remote Controller	LCD on/off, brightness up/down, volume up/down	
Connectivity	Touch Screen	Projected capacitive type flat touch screen/ Resistive type 5-wire flat touch screen	
	Wireless	IEEE 802.11b/g/n 2T2R module (WIFI-RT5392-SB-R10) Telec certified	
Physical	Construction Front Panel	PC + ABS plastic front frame	
	Mounting	VESA 100 mm x 100 mm	
	Color	Black C	
	Dimensions (WxHxD) (mm)	400 x 267 x 54	
	Weight (N/G)	3.8 kg	
Environment	Operating Temperature (°C) (Ambient with air flow)	-10°C ~ 50°C	
	Storage Temperature (°C)	-20°C ~ 60°C	
	Humidity	10% to 95% (non-condensing)	
	IP Level	IP 64 compliant front panel	
	Safety & EMI	CE / FCC	
Power	Power Supply	60W power adapter Input: 90VAC~264VAC, 50/60 Hz Output: 12VDC	
	Power Requirement	12VDC	
	Power Consumption	12V@4.25A (Intel® Atom™ N270 CPU with 667MHz 2GB DDR2 memory)	

AFL2-W15A
Dimensions (Unit: mm)



Optional Kit

Options	AFL2-W15A-N270
Panel Mounting Kit	AFL2PK-W15A-R10
Wall Mounting Kit	AFLWK-19B
Arm	ARM-11-RS / ARM-31-RS
Stand	STAND-A19-RS / STAND-A21-R10 / STAND-C19-R10 / STAND-210-R11
EM RFID Reader	AFL2-EM-RFID-KIT02-R10
Mifare RFID Reader	AFL2-MF-RFID-KIT03-R10
OS	Win CE 6.0 AFL2CF-W15-N270-CE060-R10 (128 MB CF card)
	Win XPE AFL2CF-W15-N270-XPE-R10 (1 GB CF card)
	Win 7 AFL2CF-W15-N270-WES7E-R20 / AFL2CF-W15-N270-WES7P-R20 (4 GB CF card)
DC 12 V Input UPS	AUPS-B10-R10 (VESA 100, DC 12 V input, 12 V output 100 W UPS module with 3800 mA·H)
DC 9~36 V Input UPS	AUPS-B20-R10 (VESA 100, DC 9~36 V input, 12 V output 100 W UPS module with 3800 mA·H)

Packing List

Item	P/N	Q'ty	Specifications
Touch Pen	43125-0002C0-00-RS	1	
Power Adapter	63040-010060-050-RS	1	90-264 VAC input , 12 VDC output, 60W (Meet PSE)
Power Cord	32000-000002-RS	1	1750 mm; European standard
User's Manual CD	7B000-000087-RS	1	
Screws	44013-030041-RS	4	
Remote Controller	7Z000-8T00320ICP05G-RS	1	



Touch Pen

Model No.:43125-0002C0-00-RS
Description:
1) With special material
2) Combined soft rubber with anti-oxidative plastic material
3) Durable and flexible
4) Particularly designed for AFOLUX II touch
5) Pen Length: 140mm

Ordering Information

Part No.	Description
Resistive Type Touch AFL2-W15A-N270/R/1G-R20	15.6" 300cd/m ² WXGA+ fanless panel PC with Intel® Atom™ N270 1.6 GHz, 802.11b/g/n wireless module, resistive touch screen, 2 M camera, microphone, 1GB DDR2 RAM, without expansion, R20
Projected Capacitive Type Touch AFL2-W15A-N270/PC/1G-R20	15.6" 300cd/m ² WXGA+ fanless panel PC with Intel® Atom™ N270 1.6 GHz, 802.11b/g/n wireless module, projected capacitive touchscreen, 2 M camera, microphone, 1GB DDR2 RAM, without expansion, R20