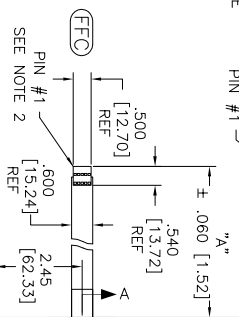
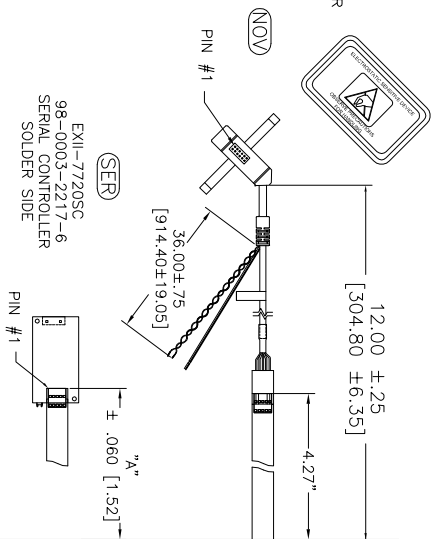


OGA DIAGONAL: 13.16 [334.34]
 VA DIAGONAL: 12.39 [314.63]
 PA DIAGONAL: 11.70 [297.08]

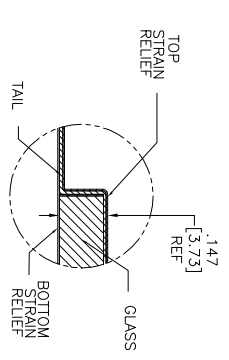
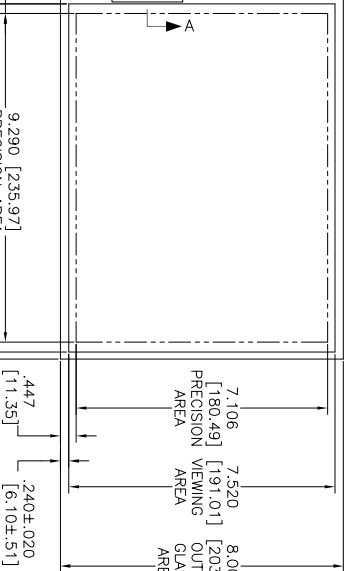
ESD CLAMSHELL
 CASE IS USED WITH ALL
 NOV USB AND SER
 TERMINATIONS.



NOTES:
 1. WEIGHT OF GLASS IN GRAMS: 4111±10%
 2. NICOMATIC HOUSING P/N: OLOS
 NICOMATIC RECEPTAGLES (PINS) MATTE TIN PLATED P/N: 14106-12
 HOUSING ORIENTED WITH LATCH DOWN

MARKETING DRAWING
 SCT32NN 12.39"

TOP LEVEL NUMBER	US NUMBER	TYPE	DM ^A (TOTAL GLASS TO CONNECTOR)	A/G FINISH	PROD SPEC
17-8581-203	98-0003-2633-4	FFC	4.27" [108.46]	AG500	23655
17-8581-205	98-0003-2634-2	FFC	8.00" [203.20]	AG500	23655
17-8581-206	98-0003-2635-9	NOV	SEE DWG	AG500	23655
17-8581-221	98-0003-2637-5	SER	4.27" [108.46]	AG500	23655
17-8581-222	98-0003-2639-1	SER	8.00" [203.20]	AG500	23655
17-8581-218	98-0003-3272-0	USB R	4.27" [108.46]	AG500	23655
17-8581-230	98-0003-2994-0	HID M	8.00" [203.20]	AG500	23655
N/A	98-1100-0089-4	FFC	8.00" [203.20]	WC100	34523
N/A	98-1100-0090-2	USB R	8.00" [203.20]	WC100	34523



PINOUT	UR	UL	SHLD	LL	LR
1	UR	UL	SHLD	LL	LR

UNITS INCHES [MM]
 TOLERANCES UNLESS OTHERWISE SPECIFIED
 .XX ± .03 [76]
 .XXX ± .015 [38]
 ANGLES ±1°
 THIRD ANGLE PROJECTION
 DO NOT SCALE DRAWING
 SCALE 1 = 1



REV	DESCRIPTION	DATE	BY
L	REVISED PER CO 036265	4/13	SB
K	REVISED PER CO 036099	2/13	SB

MARKETING DRAWING
 SCT32NN 12.39"

DATE 9/05
 DRAWN BY K CROWLEY
 SIZE C
 AUTOCAD
 SHEET 1 OF 1
 TSD-28159
 REV L