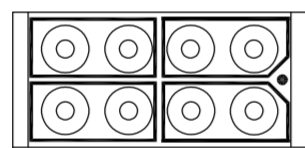
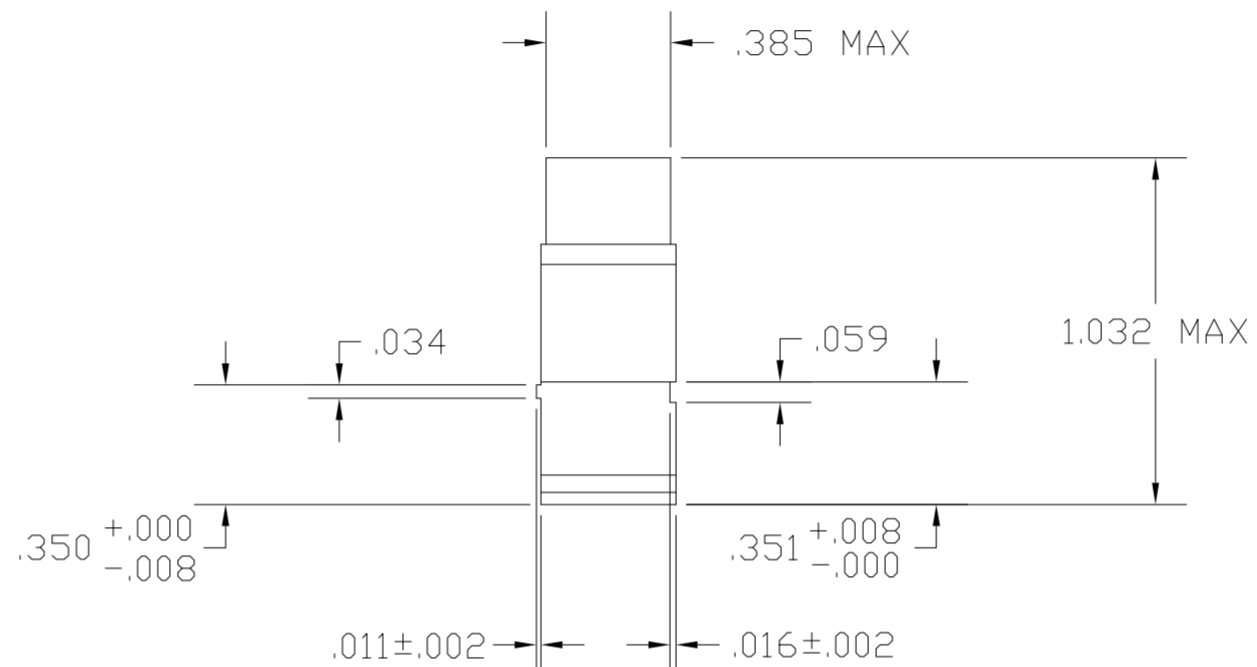
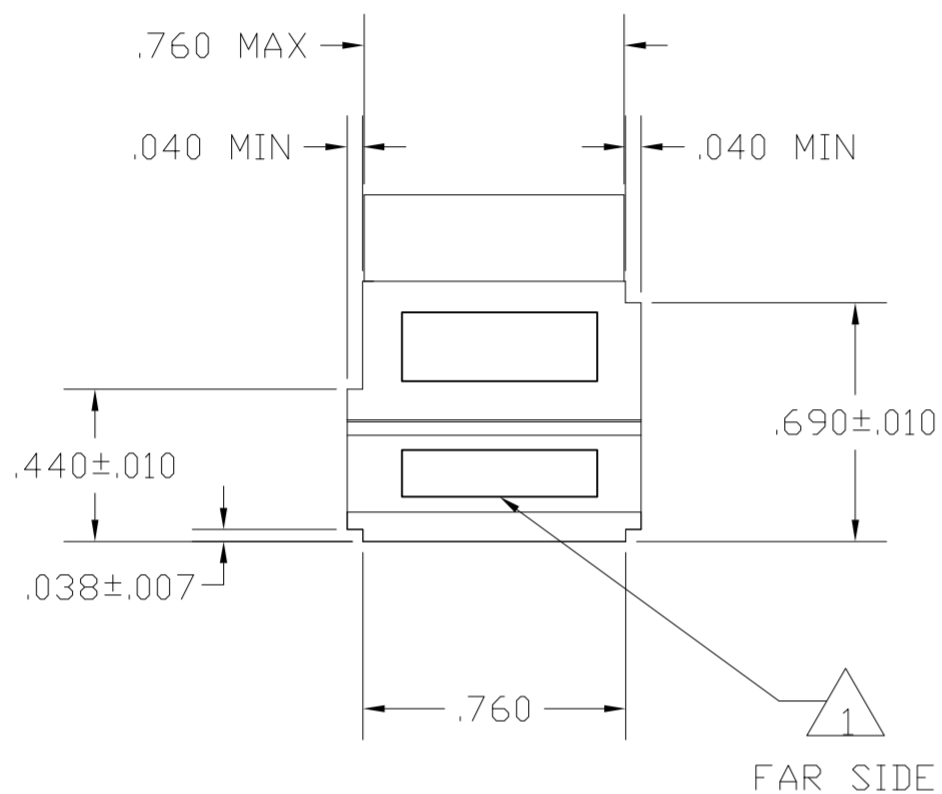
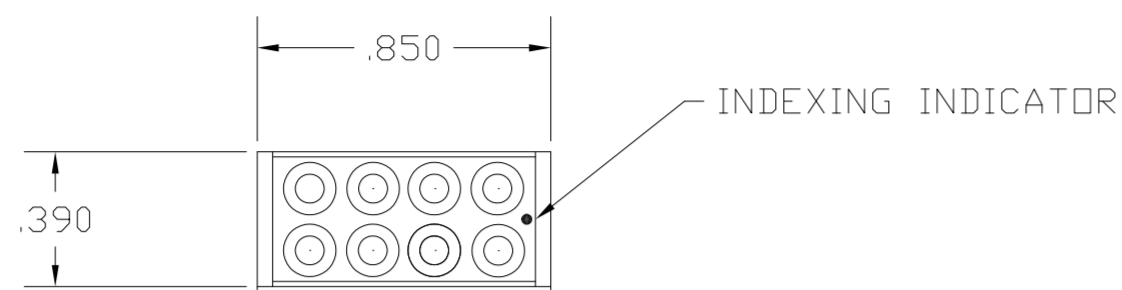
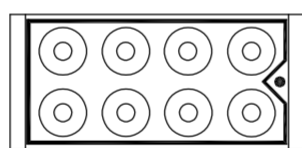


THIS DRAWING IS UNPUBLISHED. RELEASED FOR PUBLICATION
 © COPYRIGHT BY TYCO ELECTRONICS CORPORATION. ALL INTERNATIONAL RIGHTS RESERVED.

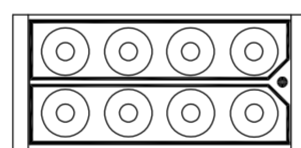
LOC	DIST	REVISIONS					
DF	AO	P	LTR	DESCRIPTION	DATE	DWN	APVD
		B		REV PER ECO-08-020803	15SEP08	PK	BW



592822-1



592822-3



592822-2

BUSSING ARRANGEMENT

- 5. AMP PART NO. 592822-1 WAS FORMERLY MATRIX SCIENCE PART NO. MRTB16E02-225.
- 4. AMP PART NO. 592822-2 WAS FORMERLY MATRIX SCIENCE PART NO. MRTB16E03-225.
- 3. AMP PART NO. 592822-3 WAS FORMERLY MATRIX SCIENCE PART NO. MRTB16E04-225.

BUSSING ARRANGEMENT OUTLINE DENOTES INTERNAL ARRANGEMENT OF CONTACT SOCKETS.

MARK MODULE ASSEMBLY WITH "AMP", AMP PART NO. AND DATE CODE .060 MINIMUM HIGH CHARACTERS AT APPROXIMATE AREA SHOWN.

DESCRIPTION	MATERIAL	FINISH
MODULE ASSEMBLY	D.A.P. PER MIL-M14 TYPE SDG-F	COLOR: GREEN
GROMMET	FLUORSILICONE RUBBER 70/30 BLEND	COLOR: GREEN
CONTACT SOCKET	BERYLLIUM COPPER PER QQ-C-533	GOLD PLATE PER MIL-G-45204
RETAINING CLIP	BERYLLIUM COPPER PER QQ-C-533 OR STAINLESS STEEL PER QQ-S-766	NONE
CONTACTS	COPPER ALLOY PER MIL-C-39029/1	GOLD PLATE PER MIL-G-45204
SEALING PLUGS	F.E.P. PER MIL-P-19468	COLOR: BLUE

THIS DRAWING IS A CONTROLLED DOCUMENT.

DWN	N. FRITZ	7-22-93
CHK	R. RYAN	7-23-93
APVD	R. RYAN	7-23-93

Tyco Electronics Tyco Electronics Corporation
Harrisburg, PA 17105-3608

NAME	-		
PRODUCT SPEC	-		
APPLICATION SPEC	-		
SIZE	A2	CAGE CODE	00779
DRAWING NO	C-592822		RESTRICTED TO
WEIGHT	-	SCALE	2:1
CUSTOMER DRAWING	SHEET	1 OF 1	REV B