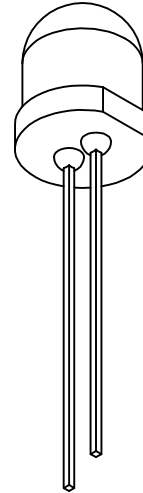
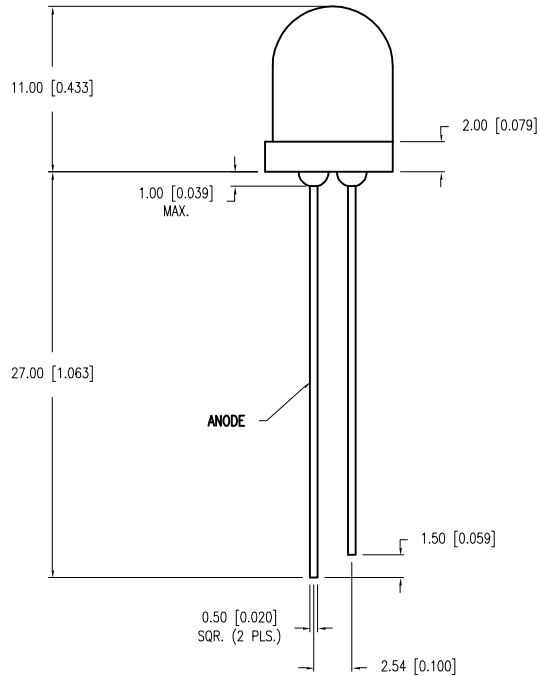
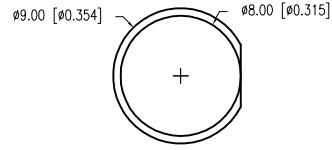


|             |                                     |      |      |
|-------------|-------------------------------------|------|------|
| PART NUMBER | SSL-LX80113ID                       | REV. | B    |
| DATE        | E.C.N. NUMBER AND REVISION COMMENTS |      | REV. |
| 02.14.01    | E.C.N. #10BRDR. & REDRAWN.          |      | A    |
| 11.13.06    | E.C.N. #11148.                      |      | B    |



ELECTRO-OPTICAL CHARACTERISTICS  $T_A=25^{\circ}\text{C}$   $I_f=20\text{mA}$

| PARAMETER          | MIN          | TYP | MAX | UNITS    | TEST COND            |
|--------------------|--------------|-----|-----|----------|----------------------|
| PEAK WAVELENGTH    |              | 635 |     | nm       |                      |
| FORWARD VOLTAGE    |              | 2.0 | 2.5 | $V_f$    |                      |
| REVERSE VOLTAGE    | 5.0          |     |     | $V_r$    | $I_f=100\mu\text{A}$ |
| AXIAL INTENSITY    |              | 15  |     | mcd      | $I_f=20\text{mA}$    |
| VIEWING ANGLE      |              | 60  |     | 2x theta |                      |
| EMITTED COLOR:     | RED          |     |     |          |                      |
| EPOXY LENS FINISH: | RED DIFFUSED |     |     |          |                      |

LIMITS OF SAFE OPERATION AT  $25^{\circ}\text{C}$

| PARAMETER                        | MAX        | UNITS                  |
|----------------------------------|------------|------------------------|
| PEAK FORWARD CURRENT*            | 150        | mA                     |
| STEADY CURRENT                   | 30         | mA                     |
| POWER DISSIPATION                | 105        | mW                     |
| DERATE FROM $25^{\circ}\text{C}$ | -1.2       | mW/ $^{\circ}\text{C}$ |
| OPERATING, STORAGE TEMP.         | -40 TO +85 | $^{\circ}\text{C}$     |
| SOLDERING TEMP.                  | +260       | $^{\circ}\text{C}$     |
| 2.0mm FROM BODY                  |            | 3 SEC. MAX             |

\*  $t < 10\mu\text{s}$

\*UNLESS OTHERWISE SPECIFIED TOLERANCES PER DECIMAL PRECISION ARE: X=±1 (±0.039), X.X=±0.5 (±0.020), X.XX=±0.25 (±0.010), X.XXX=±0.127 (±0.005). LEAD SIZE=±0.05 (±0.002), LEAD LENGTH=±0.75 (±0.030). MIN= <sup>+DECIMAL PRECISION</sup> -0.00 MAX= <sup>+0.00</sup> -DECIMAL PRECISION



290 E. HELEN ROAD  
PALATINE, IL 60067-6976  
PHONE: +1.847.359.2790  
FAX: +1.847.359.6538  
WEB: WWW.LUMEX.COM

T-8mm 635nm RED LED, T-8mm 635nm RED LED,

\*\*THE SPECIFICATIONS MAY CHANGE AT ANY TIME WITHOUT NOTICE DUE TO NEW MATERIALS OR PRODUCT IMPROVEMENT.\*\*

CONFIDENTIAL INFORMATION

THE INFORMATION CONTAINED IN THIS DOCUMENT IS THE PROPERTY OF LUMEX INC. EXCEPT AS SPECIFICALLY AUTHORIZED IN WRITING BY LUMEX INC., THE HOLDER OF THIS DOCUMENT SHALL KEEP ALL INFORMATION CONTAINED HEREIN CONFIDENTIAL AND SHALL PROTECT SAME IN WHOLE OR IN PART FROM DISCLOSURE AND DISSEMINATION TO ALL THIRD PARTIES.

|        |           |           |     |
|--------|-----------|-----------|-----|
| DATE:  | 11.13.06  | DRAWN BY: | JC  |
| PAGE:  | 1 OF 1    | CHKD BY:  | --  |
| SCALE: |           | APRVD BY: | --  |
| UNIT:  | mm [INCH] |           | (P) |