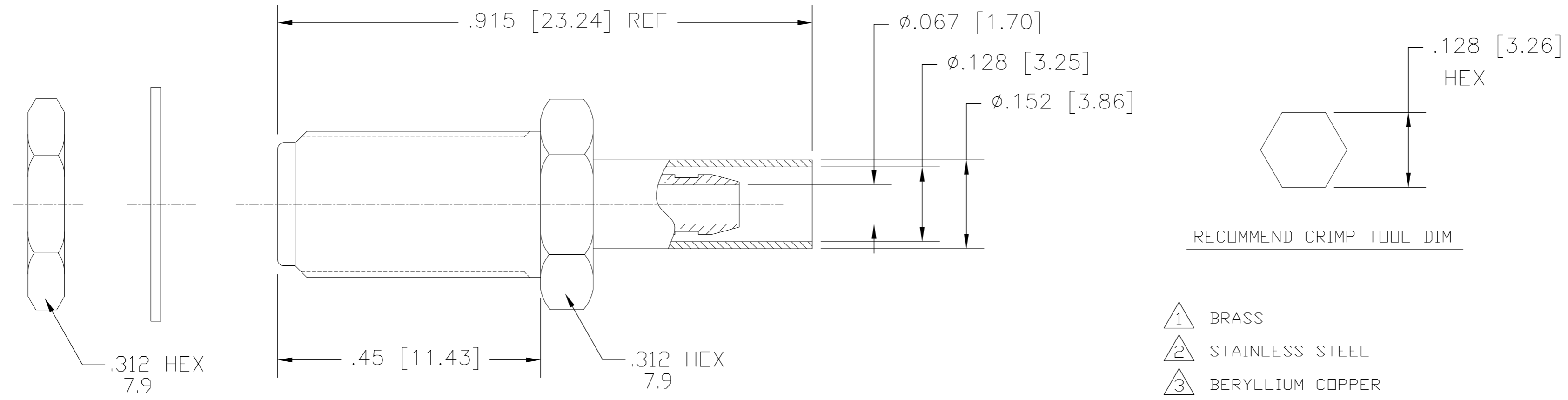


THIS DRAWING IS UNPUBLISHED. RELEASED FOR PUBLICATION  
 © COPYRIGHT BY TYCO ELECTRONICS CORPORATION. ALL RIGHTS RESERVED.

LOC	DIST	REVISIONS			
P	LTR	DESCRIPTION	DATE	DWN	APVD
AJ	00	B	REV PER ECO-09-013650	-	ANS/BOB



- ① BRASS
- ② STAINLESS STEEL
- ③ BERYLLIUM COPPER
- ④ PHOSPHOR BRONZE
- ⑤ PTFE
- ⑥ GOLD PLATE
- ⑦ NICKEL PLATE
- ⑧ PASSIVATE
- ⑨ WHITE BRONZE

ELECTRICAL	MECHANICAL	ENVIRONMENTAL
Nominal Impedance (Ohms) <u>50</u>	Interface Dimensions MIL-STD-348A, Fig. 310.1	TEMPERATURE RATING -40° TO +95° DURABILITY:500 CYCLES
Frequency Range (GHz) <u>DC to 6</u>	Recommended Mating Torque <u>7-10 In-Lbs</u>	
Volt Rating (VRMS MAX) @ Sea Level <u>250</u>	Mating Characteristics:	.XXX = in XX.X = mm
VSWR <u>1.18 + .02f(GHz)</u>	Insertion (MAX Lbs) <u>N/A</u>	
Insertion Loss (dB MAX) <u>.07 √f GHz</u>	Withdrawal (MIN Oz) <u>N/A</u>	
Dielectric Withstanding Voltage (VRMS MIN) @ Sea Level <u>750</u>	Force to Engage and Disengage (In-Lbs MAX) <u>2</u>	
Contact Resistance (Milliohms MAX) Center Contact <u>5.0</u>	Center Contact Captivation Axial (Lbs) <u>6 Min</u>	
Outer Contact <u>3.0</u>	Radial (In-Oz) <u>N/A</u>	
Cable to Housing <u>0.5</u>	Cable Retention Axial Force (Lbs) <u>20 MIN</u>	
RF High Potential @ Sea Level (VRMS MIN @ 5 MHz) <u>500</u>	Torque (In-Oz) <u>N/A</u>	
I.R.(Megohms MIN) <u>5,000</u>	Weight (Grams) <u>TBD</u>	

① ⑨	① ⑨	⑤	③ ⑥	① ⑦	④ ⑨	1056452-3
② ⑧	② ⑧	⑤	③ ⑥	① ⑦	② ⑧	1056452-1
HOUSING	MOUNTING NUT	DIELECTRIC	CENTER CONTACT	FERRULE	LOCK WASHER	TE PN.

THIS DRAWING IS A CONTROLLED DOCUMENT.

DWN	BWC	6/2/67
CHK	EJD	8/9/67
APVD	DJ	8/10/67

Tyco Electronics Corporation  
Kunshan, Jiangsu, RPC 215312

OSM STRAIGHT CABLE(RG-174/U)  
JACK CLAMP ATTACHMENT

SIZE	CAGE CODE	DRAWING NO	RESTRICTED TO
A2	00779	C=1056452	-

CUSTOMER DRAWING SCALE 5:1 SHEET 1 of 1 REV B

1056452