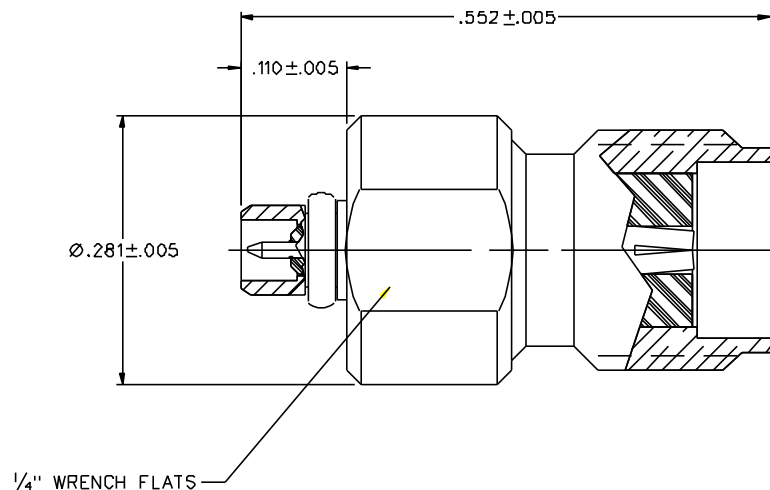


PART NUMBER	ITEM ① BODY	ITEM ② CONTACT	ITEM ③ INSULATOR	ITEM ④ MMCX C' SPRING
134-1019-181	BRASS GOLD PL .00001 MIN OVER NICKEL PL .00005 MIN OVER COPPER PL .00005 MIN	BERYLLIUM COPPER GOLD PL .00003 MIN OVER NICKEL PL .00005 MIN OVER COPPER PL .00005 MIN	TEFLON	BERYLLIUM COPPER GOLD PL .00001 MIN OVER NICKEL PL .00005 MIN OVER COPPER PL .00005 MIN

DRAWING NO. C - 134-1019-181/190			
0	REVISIONS		
ENGINEERING RELEASE			
1	10-2-98	RJB	ECN 45762



NOTES:

1. SPECIFICATIONS:

IMPEDANCE: 50 OHMS
 FREQUENCY RANGE: 0-6 GHz
 VSWR: 1.05-.05F MAX (F IN GHz)
 WORKING VOLTAGE: 170 VRMS MAX AT SEA LEVEL
 DIELECTRIC WITHSTANDING VOLTAGE: 500 VRMS MIN AT SEA LEVEL
 INSULATION RESISTANCE: 1000 MEGOHM MIN
 CONTACT RESISTANCE:
 CENTER CONTACT - INITIAL 5 MILLIOHM MAX, AFTER ENVIRONMENTAL 8 MILLIOHM MAX
 OUTER CONDUCTOR - GOLD PLATED INITIAL 1 MILLIOHM MAX, AFTER ENVIRONMENTAL 1.5 MILLIOHM MAX
 BRAID TO BODY - NOT APPLICABLE
 CORONA LEVEL: 190 VOLTS MINIMUM AT 70,000 FEET
 INSERTION LOSS: .1 dB MAX AT 1 GHz
 RF LEAKAGE: -60 dB AT 2.5 GHz
 RF HIGH POTENTIAL WITHSTANDING VOLTAGE: 400 VRMS AT 4 AND 7 MHZ

MECHANICAL:

ENGAGE/DISENGAGE FORCE (MMCX): 8.0 LBS MAX ENGAGEMENT
 1.4 LBS TYPICAL DISENGAGEMENT
 ENGAGE/DISENGAGE TORQUE (SMA): 2 IN LBS MAX
 MATING TORQUE (SMA): 7-10 IN LBS MAX
 CONTACT RETENTION FORCE: 6 LBS MIN
 CONTACT RETENTION TORQUE: NOT APPLICABLE
 COUPLING NUT RETENTION (SMA): NOT APPLICABLE
 CABLE ACCEPTABILITY: NOT APPLICABLE
 CABLE HEX CRIMP SIZE: NOT APPLICABLE
 CABLE RETENTION: NOT APPLICABLE
 DURABILITY: 500 CYCLES MIN

ENVIRONMENTAL:


(MEETS OR EXCEEDS THE APPLICABLE PARAGRAPH OF MIL-C-39012)
 THERMAL SHOCK: MIL-STD-202, METHOD 107, CONDITION C
 OPERATING TEMPERATURE: -55 DEG C TO 155 DEG C
 CORROSION: MIL-STD-202, METHOD 101, CONDITION B
 SHOCK: MIL-STD-202, METHOD 213, CONDITION B
 VIBRATION: MIL-STD-202, METHOD 204, CONDITION D
 MOISTURE: MIL-STD-202, METHOD 106

CUSTOMER DRAWING

THIS DRAWING TO BE INTERPRETED PER ANSI Y 14.5M - 1982

"μSTATION"

COMPANY CONFIDENTIAL

TOLERANCE UNLESS OTHERWISE SPECIFIED		DRAWN BY T.A.KARI	DATE 4-16-98	 299 Johnson Ave. P.O. Box 1732 Waseca, MN 56093-0832
DECIMALS .XX	mm	CHECKED BY	DATE	
.XXX REF		APPROVED BY TAK	DATE 10-6-98	TITLE SMA JACK TO MMCX PLUG ADAPTER ASSEMBLY, BETWEEN SERIES
MATL		APPROVED BY RJB	DATE 10-7-98	CODE NO.
FINISH		RELEASE DATE		DRAWING NO. C - 134-1019-181/190
				SCALE 10:1 U/N INCH SHEET 2 OF 2