

397 **0%**
MERCURY

SR726SW (SR59)
Watch Battery OEM
Swiss Made

Technical Data Sheet

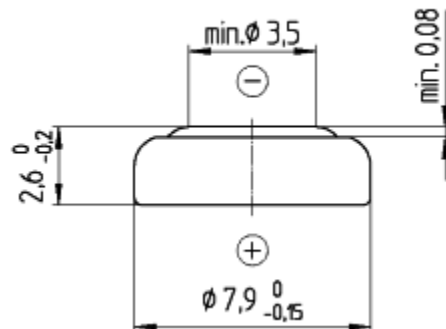
Specifications

| | |
|------------------------|---|
| Chemical system | Zinc / Monovalent Silver Oxide, low drain |
| Nominal Voltage | 1,55 V |
| Capacity | 32 mAh, Discharge over 25,5 kΩ at 20°C to 1,2 V |
| Operating Temperature* | -10°C – 60°C |
| Self Discharge | Less than 5% per year at 20°C |
| Weight | ~0,48 g |

Dimensions

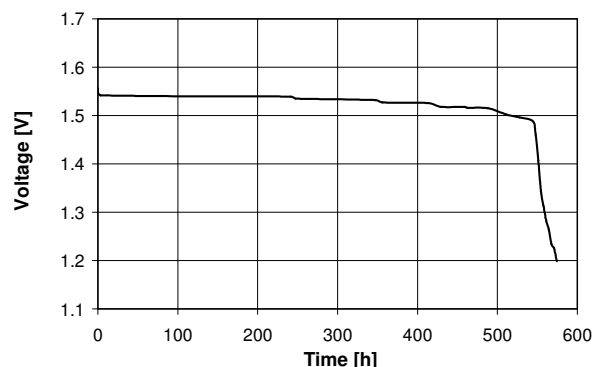
(according IEC 60086-3)

| | |
|----------|------------------|
| Diameter | 7,90 mm (0,457") |
| Height | 2,60 mm (0,102") |



Discharge Curve

| | |
|----------------|---------|
| Constant Load | 25,5 kΩ |
| Starting Drain | 60,7 μA |
| Temperature | 20°C |



Information and contents in this data sheet are for reference purpose only. They do not constitute any warranty or representation and are subject to change without notice. For most current information and further details, please contact your Renata representative. For safety related information please consult the PSDS document related to that product or product family.

*Condensing humidity not allowed

Rev. 397MF_OEM.05 2014/10