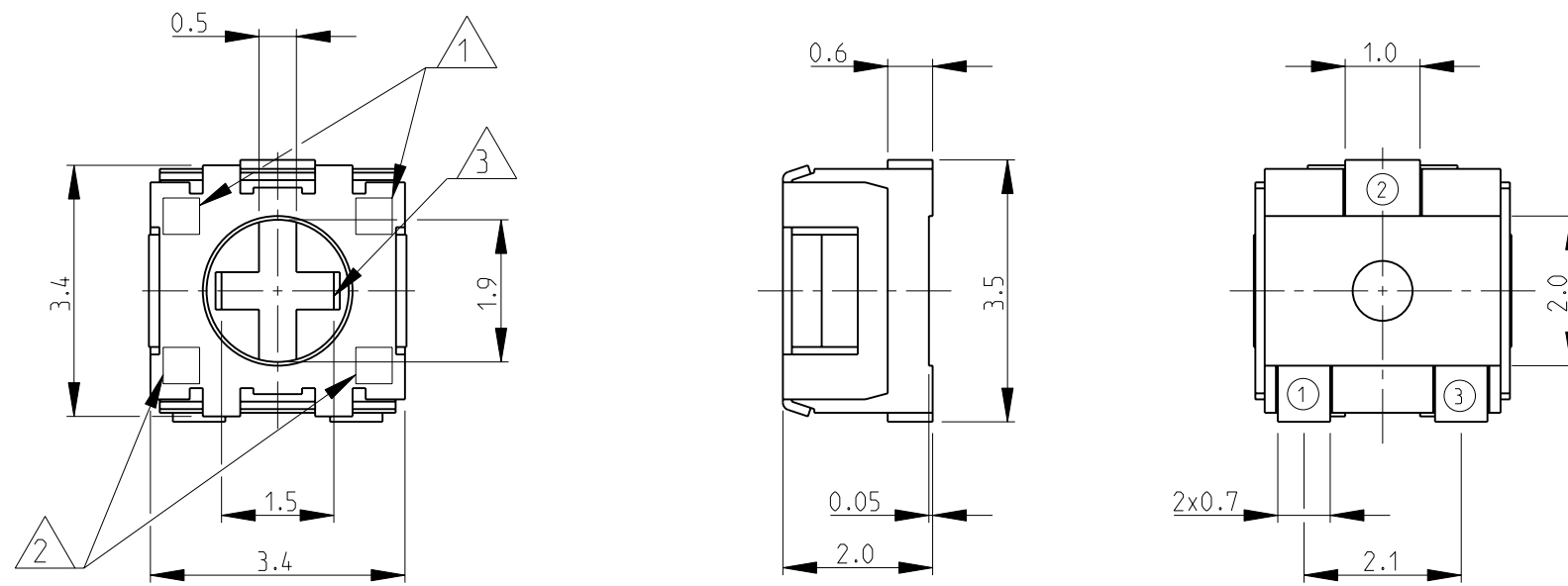


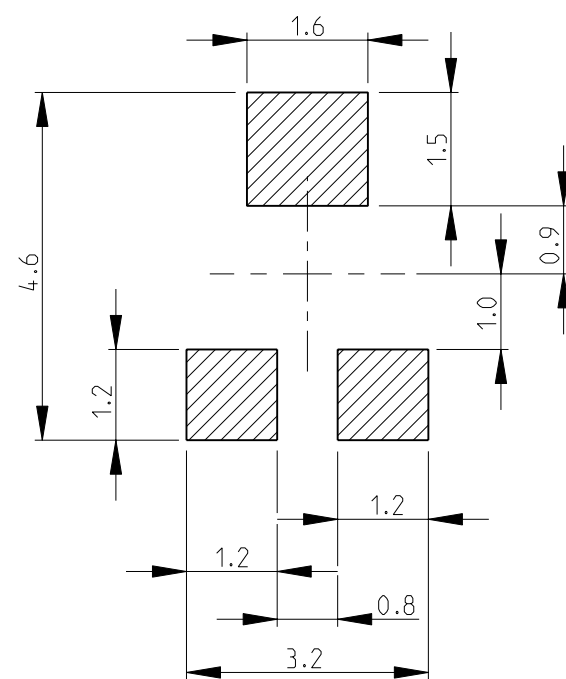
LOC	DIST	REVISIONS			
P	LTR	DESCRIPTION	DATE	DWN	APVD
E	B	BA1	REVISED PER ECO-11-005150	29MAR2011	RK HMR

- 1 DATE CODE
- 2 RESISTANCE CODE 2 DIGITS
- 3 CROSS SLOT FOR "0" BIT DRIVER, DEPTH: 0.45mm
- 4 FOR FURTHER INFORMATION SEE DATA SHEET FOR 3203 SERIES-SMD TRIMMERS

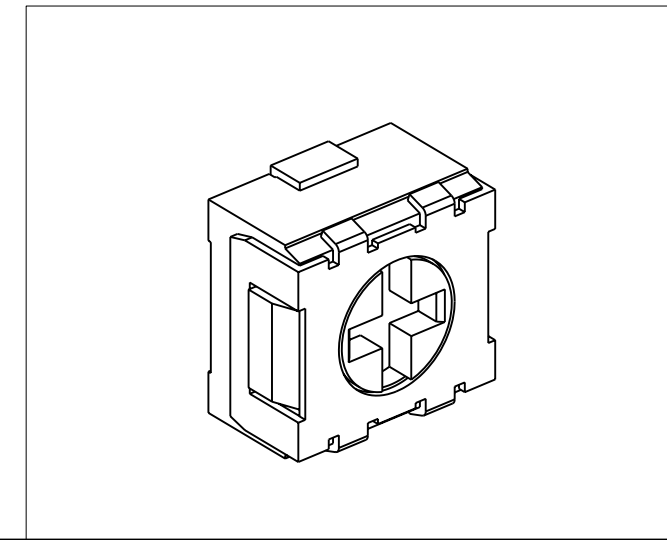
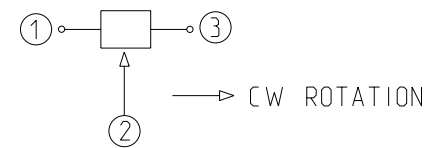



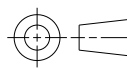
RoHS Compliant

RECOMMENDED LAND PATTERN



CIRCUIT DIAGRAM



THIS DRAWING IS A CONTROLLED DOCUMENT.		DWN	SUBHASH.M	12-NOV-08	 TE Connectivity	NAME		SMD TRIMMERS SERIES 3203	
DIMENSIONS: mm		CHK	PRAKASH.S	12-NOV-08		PRODUCT SPEC		-	
		APVD	STEPHEN.P	12-NOV-08		APPLICATION SPEC		-	
TOLERANCES UNLESS OTHERWISE SPECIFIED:		MATERIAL		-	WEIGHT		-	SIZE	A3
0 PLC ± 0.2		FINISH		-	SCALE		10:1	CAGE CODE	00779
1 PLC ± 0.1		CUSTOMER DRAWING		-	DRAWING NO		1623916	RESTRICTED TO	-
2 PLC ± -		SCALE		10:1	SHEET		1 OF 1	REV	
3 PLC ± -		SCALE		10:1	SHEET		1 OF 1	BA1	
4 PLC ± -		SCALE		10:1	SHEET		1 OF 1	BA1	
ANGLES ± 5°		SCALE		10:1	SHEET		1 OF 1	BA1	
FINISH -		SCALE		10:1	SHEET		1 OF 1	BA1	