



opulent  
americas

## MOD BLOCK - 2X6 Performance

IP67-Rated Module built with Cree XHP35 LEDs

### Primary Applications



High Mast  
Streetlight  
Stadium  
Architectural

Canopy  
Garage  
Portable  
High bay

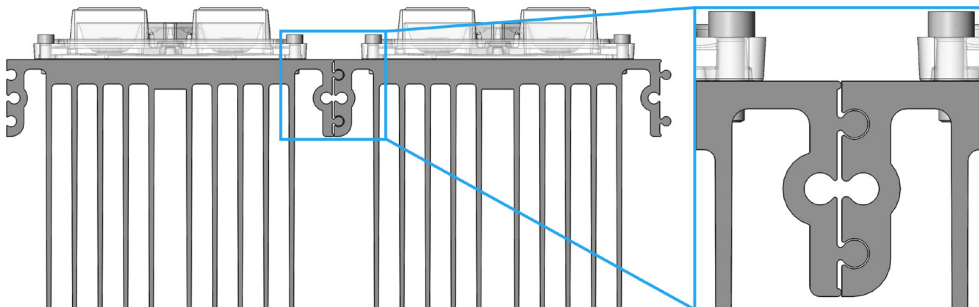


### Features and Benefits

- IP67 Protection – Self-contained module for outdoor applications or other difficult environments
- Optical Flexibility – a variety of off-the-shelf optical patterns are available
- Integrate Further – Easy to add multiple modules through our interlocking technology
- Easy Mounting – designed for quick mounting to a housing or bracket
- Performance – industry leading lumen density and lumens per pound
- Certifications – RoHS compliant
- Custom - private label or design changes available

Introducing the Opulent Americas IP67 rated LED heat sink module using Cree XHP35 Extreme High Power LEDs. This Opulent Americas module is engineered to bring high quality lighting systems to market faster with fewer LEDs, higher reliability, and a lower system cost. This module is a robust, flexible, and versatile building block for any number of lighting systems such as high bay, low bay, parking, and stadium lighting.

### Interlocking Technology to Add More Modules



Last Modified: 11/16/17

RoHS 

# MOD BLOCK - 2X6 Performance Specifications

## Order Code Formatting

| Series                        | - | Color Temperature | Color Rendering Index | - | Optic <sup>(1)</sup> | - | Cable Type               | - | Internal Code |
|-------------------------------|---|-------------------|-----------------------|---|----------------------|---|--------------------------|---|---------------|
| MP26T1 -C19 - XHP35 Mod Block |   | 27 - 2700K        | 70 - 70 CRI           |   | S                    |   | 1 - Cable Pigtail        |   | XX            |
|                               |   | 30 - 3000K        | 80 - 80 CRI           |   | M                    |   | 2 - Waterproof M15 Cable |   |               |
|                               |   | 40 - 4000K        | 90 - 90 CRI           |   | W                    |   |                          |   |               |
|                               |   | 50 - 5000K        |                       |   | WWW                  |   |                          |   |               |
|                               |   | 57 - 5700K        |                       |   | T2                   |   |                          |   |               |
|                               |   |                   |                       |   | T3                   |   |                          |   |               |
|                               |   |                   |                       |   | T4                   |   |                          |   |               |
|                               |   |                   |                       |   | T5                   |   |                          |   |               |
|                               |   |                   |                       |   | DWC                  |   |                          |   |               |

<sup>(1)</sup>More optical patterns available upon request

\*See Page 5 for Photometric Distributions

# MOD BLOCK - 2X6 Performance Specifications

## Ordering Information

| Part Number       | CCT   | CRI | Binning | Forward Voltage (V) | Current (mA) | Typical Luminous Flux (lm) | Efficacy Nominal (lm/W) | Watts (W) |
|-------------------|-------|-----|---------|---------------------|--------------|----------------------------|-------------------------|-----------|
| MP26T1-C19-5770-x | 5700K | 70  | 5-Step  | 46.1                | 1050         | 7512                       | 155                     | 48.4      |
|                   | 5700K | 70  | 5-Step  | 46.7                | 1500         | 9856                       | 140                     | 70.0      |
|                   | 5700K | 70  | 5-Step  | 47.2                | 2100         | 12286                      | 124                     | 99.2      |
| MP26T1-C19-5070-x | 5000K | 70  | 5-Step  | 46.1                | 1050         | 7512                       | 155                     | 48.4      |
|                   | 5000K | 70  | 5-Step  | 46.7                | 1500         | 9856                       | 140                     | 70.0      |
|                   | 5000K | 70  | 5-Step  | 47.2                | 2100         | 12286                      | 124                     | 99.2      |
| MP26T1-C19-4070-x | 4000K | 70  | 5-Step  | 46.1                | 1050         | 6980                       | 144                     | 48.4      |
|                   | 4000K | 70  | 5-Step  | 46.7                | 1500         | 9158                       | 130                     | 70.0      |
|                   | 4000K | 70  | 5-Step  | 47.2                | 2100         | 11416                      | 115                     | 99.2      |

Product performance based on 25°C ambient temperature.  
All values shown above are typical.

## Ratings

| Parameter             | Unit | Rating     |
|-----------------------|------|------------|
| Operating Temperature | °C   | -40 to +40 |
| Weight                | G    | 1332       |

## Performance Groups – Chromaticity

| 5-Step Binning |              |        |            |            |                    |
|----------------|--------------|--------|------------|------------|--------------------|
| CCT            | Center Point |        | Major Axis | Minor Axis | Rotation Angle (°) |
|                | X            | Y      | a          | b          |                    |
| 5700K          | 0.3287       | 0.3417 | 0.01230    | 0.00600    | 72.0               |
| 5000K          | 0.3447       | 0.3553 | 0.01400    | 0.00520    | 65.0               |
| 4000K          | 0.3818       | 0.3797 | 0.001420   | 0.00550    | 61.5               |

# MOD BLOCK - 2X6 Performance Specifications

## Performance Characteristics

Lumens vs. Drive Current



Tsp vs. Drive Current



Efficacy vs. Drive Current



Tsp vs. Lumens



Power vs. Drive Current



\*Product performance based on 25°C ambient temperature

# MOD BLOCK - 2X6 Performance Specifications

## Photometric Distributions



S - Spot  
High Bay Series



M - Medium  
High Bay Series



W - Wide  
High Bay Series



WWW - Very Wide  
High Bay Series



T2 - IESNA Type II  
Roadway Series



T3 - IESNA Type III  
Roadway Series



T4 - IESNA Type IV  
Roadway Series



T5 - IESNA Type V Square  
Roadway Series



DWC - Universal Type III Medium  
Roadway Series

# MOD BLOCK - 2X6 Performance Specifications

## Mechanical Dimensions



### Cable Specs:

Cable Length: 20"

Cable OD: .288"

Wire Gauge: 18AWG

Wire Colors: White (+), Black (-)

Wire Voltage Rating: 300V

Wire Temperature Rating: 105°C