

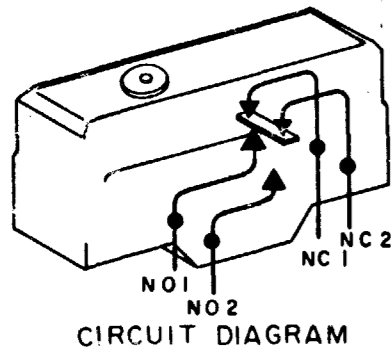
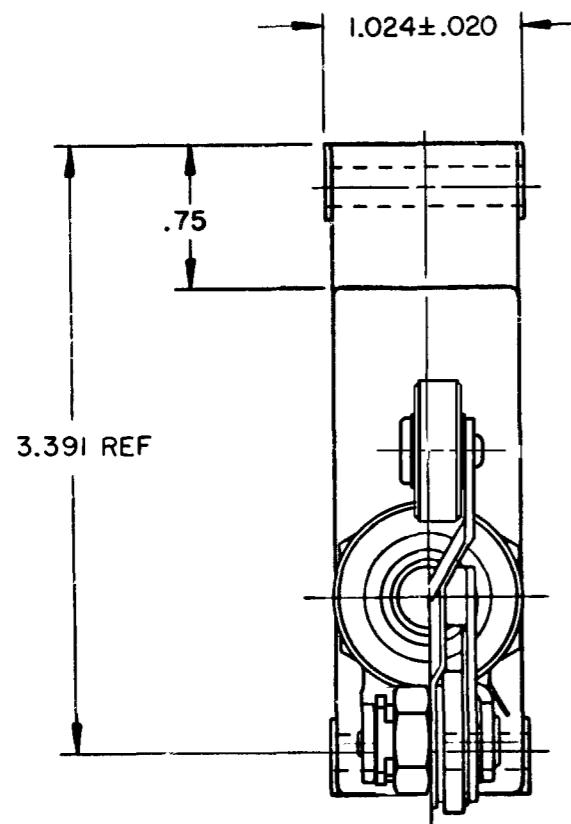
BZG1-2AN2

M
DRAWING NUMBER

ISSUE

REVISIONS:

A	C037679	
K	P	23 SEP 76
B	CO 39504	6 LH 29 NOV 77
C	CO 55989	1 NOV 84
D	CO60858	22 JAN 87
E	CO72977	6 AUG 92
F	CO-177179-0	12 MAR 94
G	CO81513B	11 MAR 97



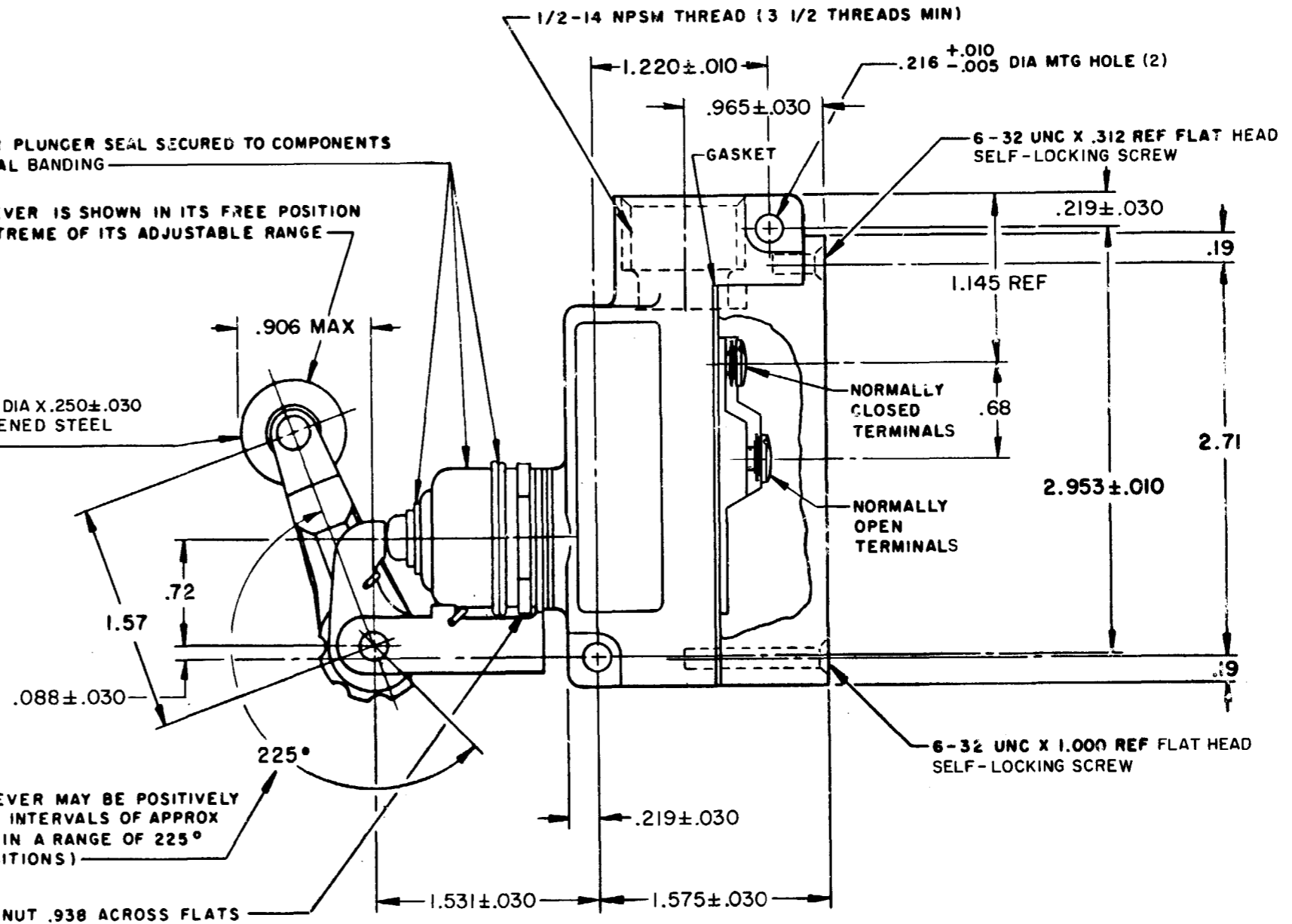
ELASTOMER PLUNGER SEAL SECURED TO COMPONENTS BY EXTERNAL BANDING

ROLLER LEVER IS SHOWN IN ITS FREE POSITION AT ONE EXTREME OF ITS ADJUSTABLE RANGE

.750 ± .030 DIA X .250 ± .030 WIDE HARDENED STEEL ROLLER

ROLLER LEVER MAY BE POSITIVELY LOCKED AT INTERVALS OF APPROX 0.2° WITHIN A RANGE OF 225° (1238 POSITIONS)

HEX SEAL NUT .938 ACROSS FLATS



THIS DRAWING COVERS A PROPRIETARY ITEM AND IS THE PROPERTY OF MICRO SWITCH, A DIVISION OF MINNEAPOLIS-HONEYWELL REGULATOR CO. THIS DRAWING IS NOT TO BE COPIED OR USED WITHOUT THE APPROVAL OF MICRO SWITCH.

CHARACTERISTICS	ELECTRICAL DATA	SCALE FULL
OPERATING FORCE ----- 25 OZ MAX	CONTACT ARRANGEMENT S P D T DOUBLE BREAK	DO NOT SCALE PRINT
RELEASE FORCE ----- 4 OZ MIN	15 A-125, 250 OR 480 VAC, 1/4HP-125 VAC; 1/2HP-250 VAC CODE L73 1A-125 VDC; 0.5A-250 VDC 	UNLESS OTHERWISE NOTED DIMENSIONS ARE IN INCHES
PRETRAVEL ----- .188 MAX		TOLERANCES ARE:
DIFFERENTIAL TRAVEL ----- .012 MAX		ONE PLACE (.0) ±.030
OVERTRAVEL ----- .219 MIN		TWO PLACE (.00) ±.015
SWITCH-BASIC REPLACEMENT ----- BZ-2AN702T		THREE PLACE (.000) ±.008
		ANGLES ±
		WEIGHT

- NOTES**
- 1 - 6-32 UNC X .219 REF BINDING HEAD TERMINAL SCREW AND WASHER (SEMS) (4)
 - 2 - ROLLER LEVER BRACKET ASSEMBLY MAY BE SET AT ANY POSITION AROUND AXIS OF PLUNGER
 - 3 - SUITABLE ONLY FOR APPLICATIONS IMPARTING A RAPID STROKE TO THE SWITCH PLUNGER

FORMTEK

DRAWN
OMW 10 MAY 71 CHECKED
DRAWN
OMW 10 MAY 71