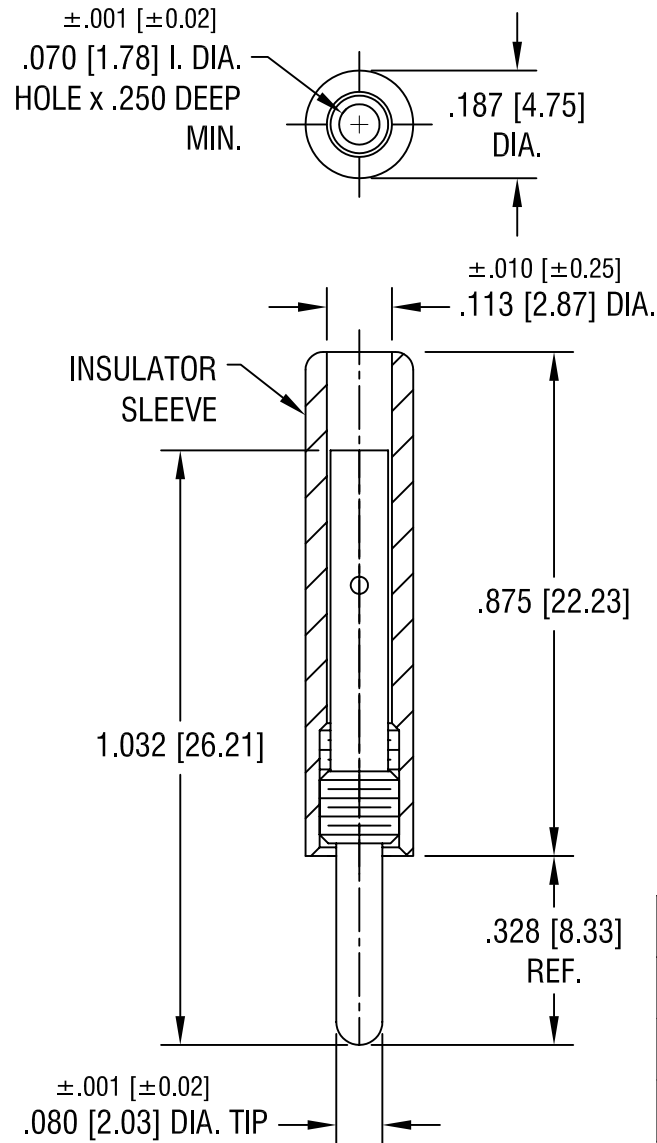


THIS DOCUMENT IS THE PROPERTY OF
KEYSTONE ELECTRONICS CORP. AND
SHALL NOT BE REPRODUCED, DISTRIBUTED
OR USED AS A BASIS FOR MANUFACTURE
WITHOUT PRIOR WRITTEN PERMISSION
FROM KEYSTONE ELECTRONICS CORP.



PART NO.	SLEEVE COLOR
6006	WHITE
6007	RED
6008	BLACK
6009	GREEN
6010	YELLOW
6011	BLUE

NOTES:

- TIP: MAT'L - BRASS, NICKEL PLATE
BODY: MAT'L - NYLON 6/6 PER ASTM D4066

KEYSTONE ELECTRONICS CORP.

ASTORIA, N.Y. 11105-2017

PART NAME				MINIATURE TEST TIP PLUG			
MATERIAL				AS NOTED			
FINISH		AS NOTED		DRN BY	BOONE	DATE	3.26.04
				APP'D	LN	SCALE	3X
TOLERANCES	INCH	[MM]	CODE	DWG NO.			
DECIMAL	$\pm .005$	[± 0.15]	C/M	6006-6011			
ANGULAR	$\pm 1^\circ$						
UNLESS OTHERWISE SPECIFIED							

DATE	DESCRIPTION	REV.