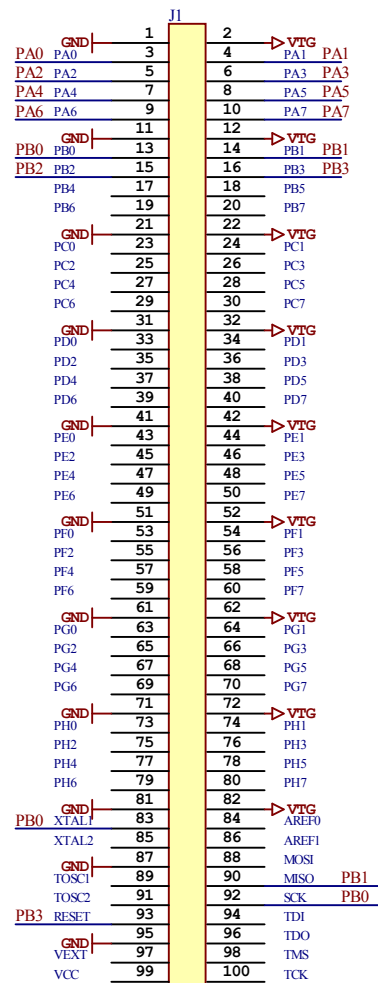
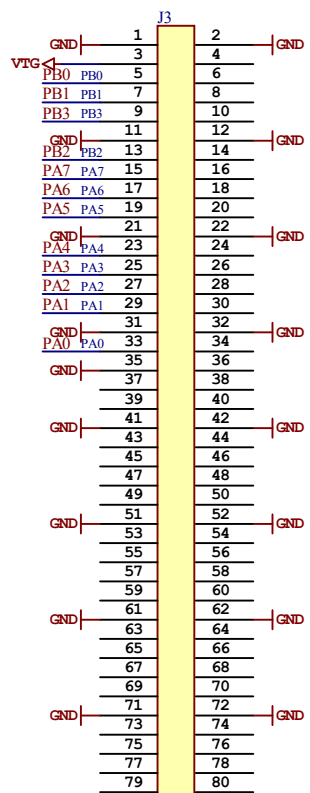
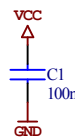


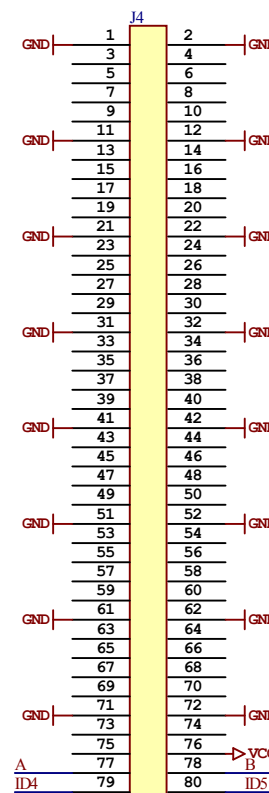
J3 and J4 mates up to the socket card, while J1 and J2 goes down to the mother board. J1 is physical placed below J3, and J2 below J4.



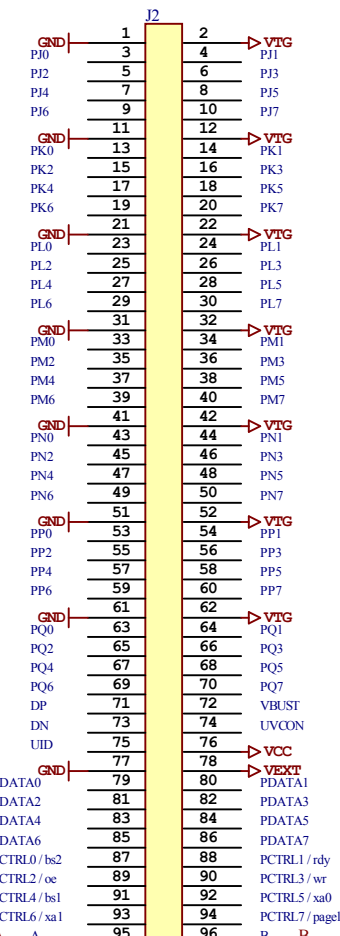
Mating FSI-150



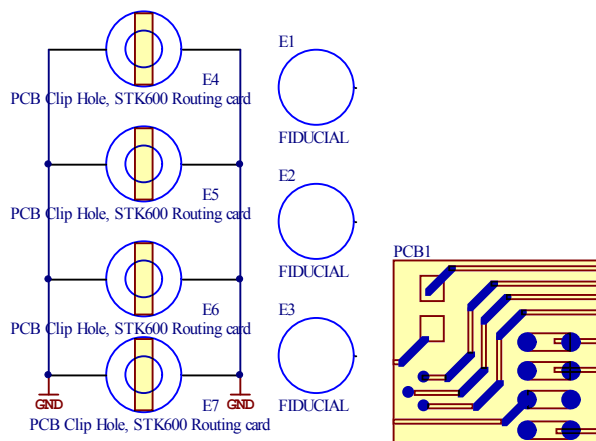
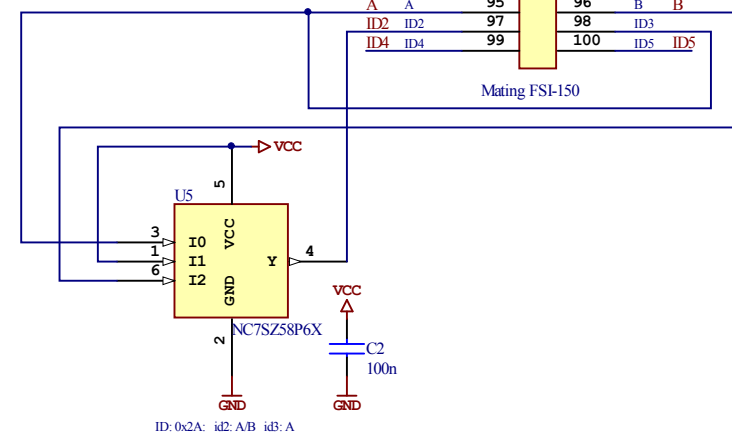
Mating FSI-140



Mating FSI-140



Mating FSI-150



A08-0662

ATMEL Norway	*			
Vestre Rosten 79	*			
N-7075 TILLER	*			
NORWAY				
Date:	24.08.2009	09:38:17	PAGE: 1 of 1	
Document number:	*	Revision: A		
TITLE: *				
STK600-RC014T-42 .SchDoc				

Comment	Description	Designator	Footprint	LibRef	Quantity
CAP-NONPOL	Ceramic capacitor, SMD 0603, X7R, 16V, ±10 %	C1, C2	AP1-00002	A01-0087	2
FIDUCIAL	Fiducial point for PC coordinates	E1, E2, E3	AP8-00100	A08-0065	3
Hole for clip between boards	Clip hole 4,2 mm with locking spring 10,1*2,0 mm	E4, E5, E6, E7	AP8-00215	A08-0281	4
Mating footprint only not a physical component	Mating footprint for FSI-150-03-G-D-AD	J1, J2	AP8-00169	A08-0180	2
Mating footprint only not a physical component	Mating footprint for FSI-140-03-G-D-AD	J3, J4	AP8-00170	A08-0181	2
PCB	STK600-RC014T-42 PCB	PCB1		A08-0662	1
7SZ57	Configurable 2-input	U5	AP6-00015	A06-0189	1