

# .060 (1.50) Shrouded Tip Plug

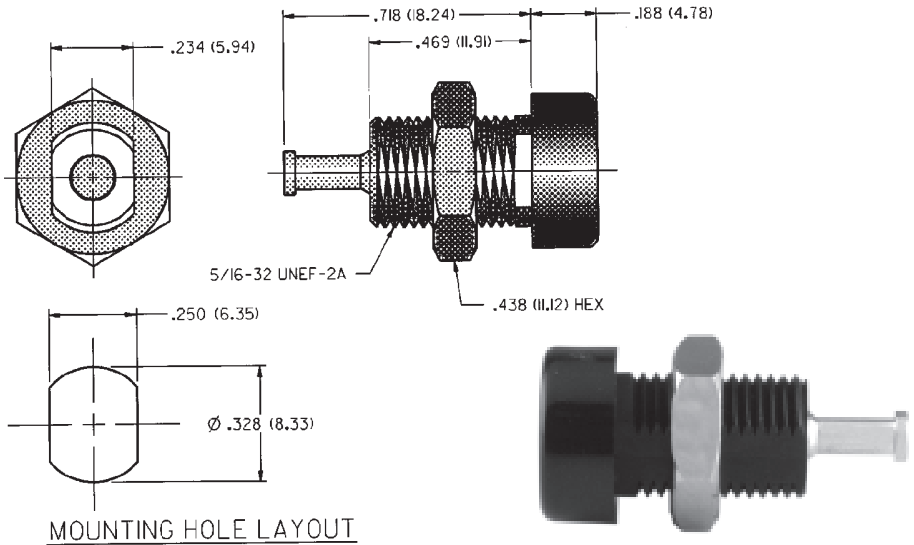
**SPECIFICATIONS**

**Contact and Nut:** Brass per QQ-B-626D  
**Finish:** Gold or silver  
**Body:** Nylon 6/6 per ASTM D4066  
**Hardware:** Nickel plated nut (unassembled)  
**Body Thread Stripping Torque:** 6 in. lb. (7 kg.cm.)  
**Panel Thickness:** Up to .343 (8.80)

**RATINGS**

**Current:** 7 amps  
**Breakdown Voltage:** 3500 Vrms minimum =  
**Contact Resistance:** 0.010 ohms maximum

INCHES (MILLIMETERS)  
 CUSTOMER DRAWINGS AVAILABLE UPON REQUEST



GOLD PLATING	
PART NO.	COLOR
105-1307-002	Yellow

For Standard Tip Jack: .060 (1.50) Diameter

**FEATURES:**

- Keyed mounting with double flats
- Shrouded
- Nylon UL approved for self extinguishing

MOUNTING HOLE LAYOUT