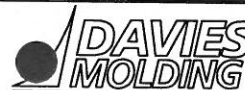


PART NAME: KNOB      SCALE: 1:1      DATE: 11/1/16      DR. BY JAM

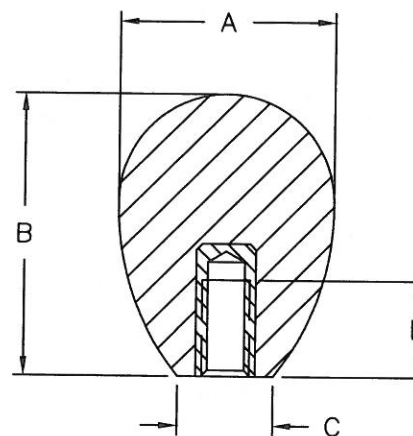
THIS DRAWING IS THE PROPERTY OF DAVIES MOLDING COMPANY, IS SUBMITTED SOLELY AS A DESIGN OR ENGINEERING PROJECT. WE ACCEPT NO RESPONSIBILITY WHATSOEVER FOR THE PRACTICAL APPLICATION OF THE PIECES MADE TO THIS DESIGN.



DESIGNERS & MANUFACTURERS  
OF KNOBS, HANDLES, CASES &  
CUSTOM PLASTIC COMPONENTS

P/N 0073-V-BB

	THREAD	A	B	C	D
0073BB	M6 X 1	28	37	12	12
0073-V	M8 X 1.25	28	37	12	12
0073-Z	M10 X 1.5	28	37	12	15



THREADED INTERNAL INSERT

KNOB MATERIAL: PHENOLIC  
COLOR: BLACK

INSERT MATERIAL: INTERNAL INSERTS ARE BRASS,  
PROJECTING STUDS ARE ZINC PLATED STEEL

TOLERANCES: UNLESS OTHERWISE SPECIFIED	DO NOT SCALE DRAWING			
	MM: X.XX ± 0.15MM X.X ± 0.4MM			
	ANG. ± 1°	CHANGES		