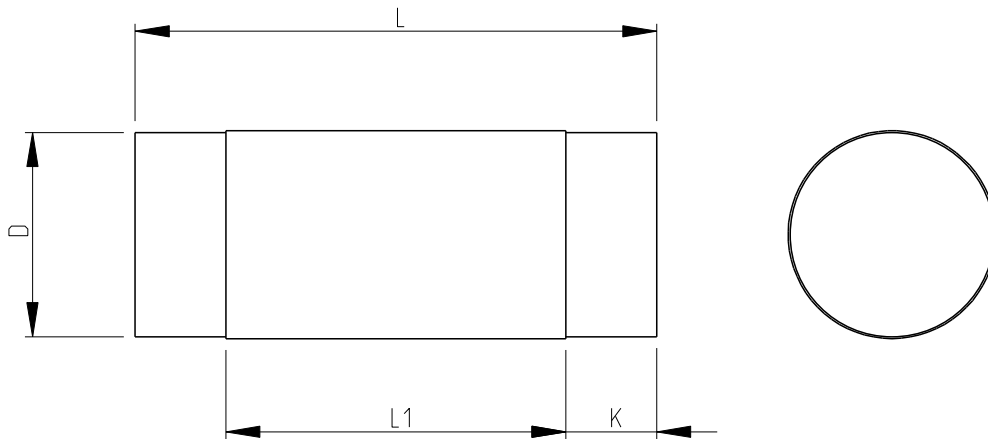


LOC	DIST	REVISIONS					
E	B	P	LTR	DESCRIPTION	DATE	DWN	APVD
		BA		NEW RELEASE	05MAY2010	PT	St.P

FOR FURTHER INFORMATION SEE DATA SHEET OF SMA-SERIES MELF RESISTORS



RoHS Compliant

Codes	L	∅D	K	L1 Min
0204	3.45±0.1	1.35±0.1	0.6±0.1	2.00
0207	5.90±0.1	2.20±0.1	1.0±0.1	3.40

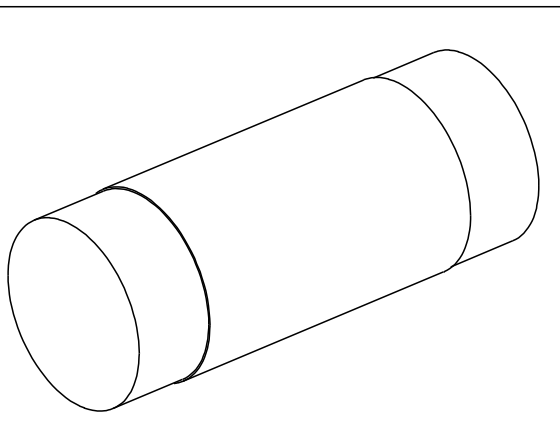
2008



RELEASED FOR PUBLICATION

ALL RIGHTS RESERVED.

THIS DRAWING IS UNPUBLISHED.

© COPYRIGHT 2008



DIMENSIONS:		DWN	05MAY2010	MATERIAL	FINISH
mm		PARUSURAM.T		-	-
TOLERANCES UNLESS OTHERWISE SPECIFIED:		CHK	05MAY2010	 TE Connectivity	
0 PLC ±0.2		SUBHASH.M			
1 PLC ±0.1		APVD	05MAY2010		
2 PLC ±		STEPHEN.P		NAME	
3 PLC ±		PRODUCT SPEC		MELF RESISTORS	
4 PLC ±		APPLICATION SPEC		SMA SERIES	
ANGLES ±5°		WEIGHT		SIZE	CAGE CODE
		-		A 4	00779
				DRAWING NO	RESTRICTED TO
				©=1879283	-
CUSTOMER DRAWING				SCALE	SHEET
				40:1	1 OF 1
				REV	BA