

THIS DOCUMENT CONTAINS PROPRIETARY DATA OF POLARIS INDUSTRIAL ENTERPRISES, INC. NO DISCLOSURE, REPRODUCTION, OR USE OF ANY PART THERE OF MAY BE MADE EXCEPT BY WRITTEN PERMISSION.

REV.	BY	DATE	APPRVL.	P/N
E	DMS	7/24/98	BT	MG22

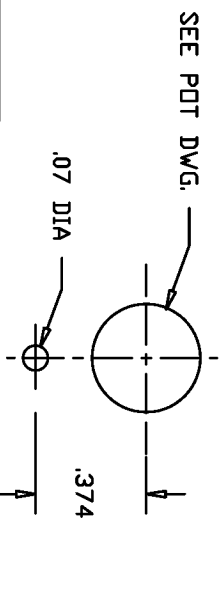
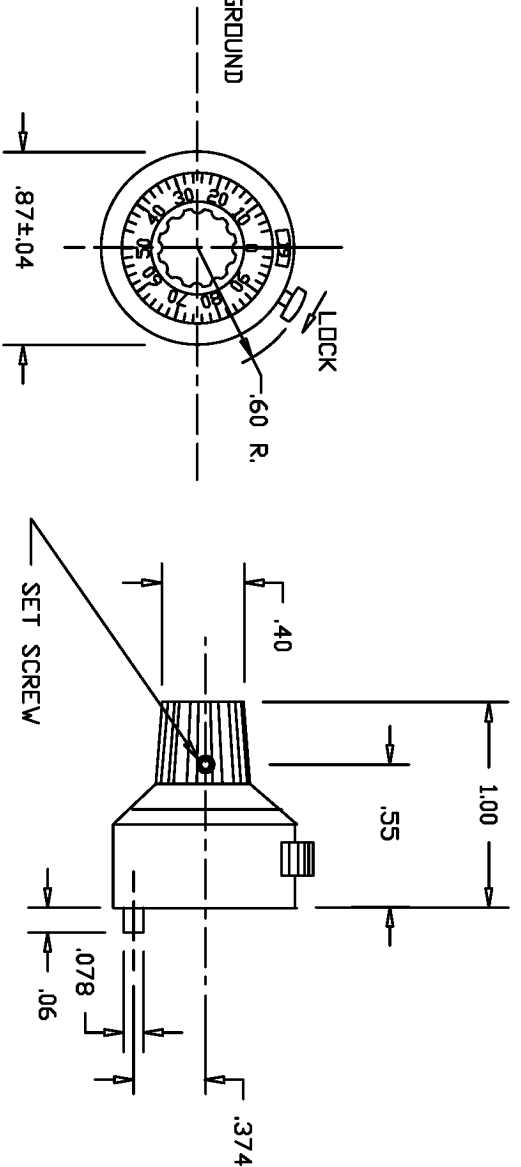
ADDED 'L' & 'N' SPECS.

**SPECIFICATIONS**

TURNS COUNTED ----- 20  
 DIAMETER ----- 7/8 INCH  
 EXTENSION FROM PANEL ----- 1.0 INCHES  
 PANEL THICKNESS(MAX) ----- 1/4 INCH  
 WEIGHT ----- .2 OZ  
 HOUSING MATERIAL ----- ALUMINUM  
 FINISH(HOUSING) ----- SEE CHART  
 KNOB MATERIAL ----- BLACK NYLON  
 NUMBERS ----- WHITE ON BLACK BACKGROUND

**FEATURES**

COUNTS 20 TURNS.  
 ONE PIECE MOUNTING  
 LARGE,EASY TO READ NUMBERS  
 SMOOTH ADJUSTMENT  
 OVER CENTER LOCK  
 ATTRACTIVE APPEARANCE  
 LOW COST



SEE PGT DWG.  
MOUNTING HOLE LAYOUT

MODEL	MATCHING SHAFT SIZE	COLOR	LOCK	MODEL	MATCHING SHAFT SIZE	COLOR	LOCK
MG22N-1/8	1/8	SATIN		MG22L-1/8	1/8	SATIN	
MG22N-1/4	1/4	SATIN	NO	MG22L-1/4	1/4	SATIN	YES
MG22N-6MM	6MM	SATIN		MG22L-6MM	6MM	SATIN	
MG22N-3/32	3/32	SATIN		MG22L-3/32	3/32	SATIN	
MG22N-1/8	1/8	BLACK		MG22L-1/8	1/8	BLACK	
MG22N-1/4	1/4	BLACK	NO	MG22L-1/4	1/4	BLACK	YES
MG22N-6MM	6MM	BLACK		MG22L-6MM	6MM	BLACK	
MG22N-3/32	3/32	BLACK		MG22L-3/32	3/32	BLACK	
MG22N-1/8	1/8	GRAY		MG22L-1/8	1/8	GRAY	
MG22N-1/4	1/4	GRAY	NO	MG22L-1/4	1/4	GRAY	YES
MG22N-6MM	6MM	GRAY		MG22L-6MM	6MM	GRAY	
MG22N-3/32	3/32	GRAY		MG22L-3/32	3/32	GRAY	

**TOLERANCES**  
 XX = +/- .010" FRACT. = +/- 1/64"  
 XXX = +/- .005" ANGLES = +/- 1/2"  
 ALL SPECIFICATIONS SUBJECT TO CHANGE WITHOUT NOTICE

SCALE	DATE: 1-20-86
NONE	BY
APP'RV'D	BT

CODE IDENT: 19477

**TITLE**  
 TURNS COUNTING DIAL

**PART NO.**  
 MG22