

THIS DOCUMENT CONTAINS PROPRIETARY DATA OF POLARIS INDUSTRIAL ENTERPRISES, INC. NO DISCLOSURE, REPRODUCTION, OR USE OF ANY PART THERE OF MAY BE MADE EXCEPT BY WRITTEN PERMISSION.

REV.	BY	DATE	APPRVL.	P/N
E	DMS	7/24/98	BT	MG22

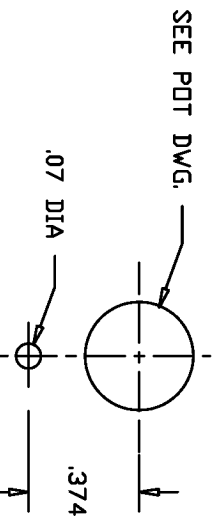
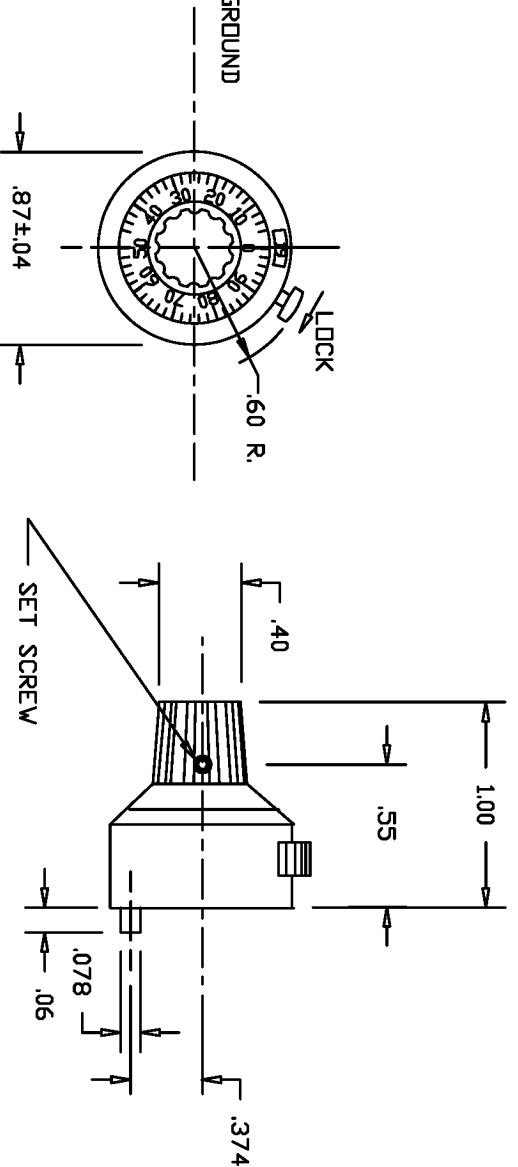
ADDED 'L' & 'N' SPECS.

SPECIFICATIONS

TURNS COUNTED ----- 20
 DIAMETER ----- 7/8 INCH
 EXTENSION FROM PANEL ----- 1.0 INCHES
 PANEL THICKNESS(MAX) ----- 1/4 INCH
 WEIGHT ----- .2 OZ
 HOUSING MATERIAL ----- ALUMINUM
 FINISH(HOUSING) ----- SEE CHART
 KNOB MATERIAL ----- BLACK NYLON
 NUMBERS ----- WHITE ON BLACK BACKGROUND

FEATURES

COUNTS 20 TURNS.
 ONE PIECE MOUNTING
 LARGE,EASY TO READ NUMBERS
 SMOOTH ADJUSTMENT
 OVER CENTER LOCK
 ATTRACTIVE APPEARANCE
 LOW COST

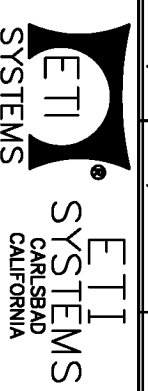


Mounting Hole Layout

MODEL	MATCHING SHAFT SIZE	COLOR	LOCK	MODEL	MATCHING SHAFT SIZE	COLOR	LOCK
MG22N-1/8	1/8	SATIN		MG22L-1/8	1/8	SATIN	
MG22N-1/4	1/4	SATIN	NO	MG22L-1/4	1/4	SATIN	YES
MG22N-6MM	6MM	SATIN		MG22L-6MM	6MM	SATIN	
MG22N-3/32	3/32	SATIN		MG22L-3/32	3/32	SATIN	
MG22N-1/8	1/8	BLACK		MG22L-1/8	1/8	BLACK	
MG22N-1/4	1/4	BLACK	NO	MG22L-1/4	1/4	BLACK	YES
MG22N-6MM	6MM	BLACK		MG22L-6MM	6MM	BLACK	
MG22N-3/32	3/32	BLACK		MG22L-3/32	3/32	BLACK	
MG22N-1/8	1/8	GRAY		MG22L-1/8	1/8	GRAY	
MG22N-1/4	1/4	GRAY	NO	MG22L-1/4	1/4	GRAY	YES
MG22N-6MM	6MM	GRAY		MG22L-6MM	6MM	GRAY	
MG22N-3/32	3/32	GRAY		MG22L-3/32	3/32	GRAY	

TOLERANCES
 XX = +/- .010" FRACT. = +/- 1/64"
 XXX = +/- .005" ANGLES = +/- 1/2"
 ALL SPECIFICATIONS SUBJECT TO CHANGE WITHOUT NOTICE

SCALE	DATE: 1-20-86
NONE	BY
APP'RV'D	BT
CODE IDENT: 19477	



TITLE
 TURNS
 COUNTING DIAL

PART NO.
 MG22