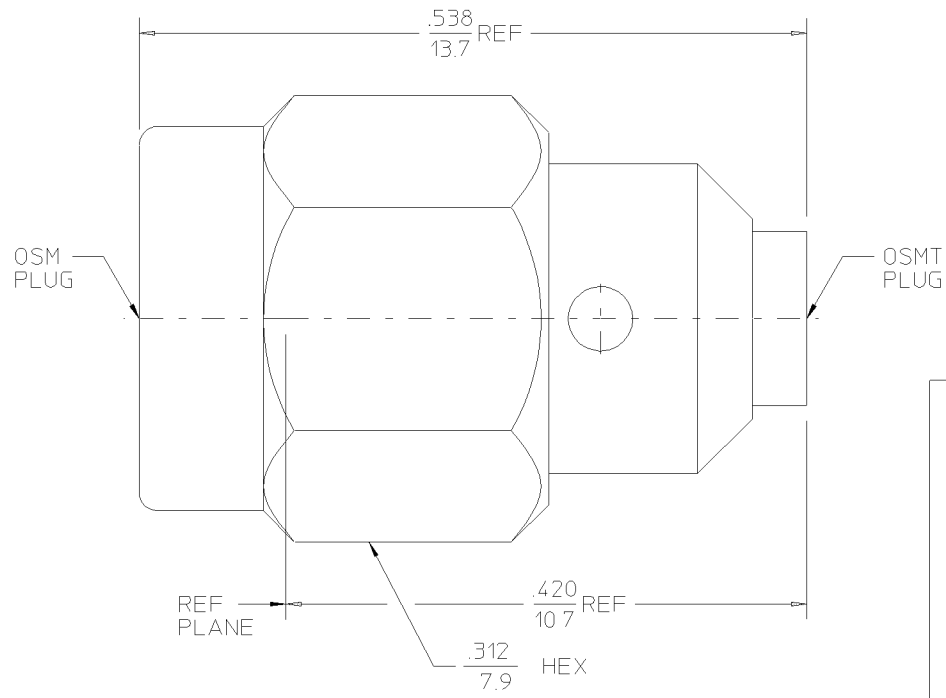



| REVISIONS | | | |
|-----------------|-------------|----------|---------------|
| REV | DESCRIPTION | DATE | APPROVED |
| 03 ₀ | REVISED | 10/27/96 | TCom 10/22/96 |



1055695-1
PART NUMBER

| COMPONENT | MATERIAL | FINISH |
|----------------|--|----------------------------|
| COUPLING NUT | STAINLESS STEEL PER ASTM-A484 AND ASTM-A582, TYPE 303 | GOLD PLATE PER MIL-G-45204 |
| HOUSING | BRASS PER ASTM-B-16 HALF HARD | GOLD PLATE PER MIL-G-45204 |
| DIELECTRIC | TFE FLUOROCARBON PER ASTM-D-1457 | N/A |
| CENTER CONTACT | BERYLLIUM COPPER PER ASTM B 196 OR ASTM B 197, ALLOY C17300, CONDITION H | GOLD PLATE PER MIL-G-45204 |
| RETAINING RING | BERYLLIUM COPPER PER ASTM B 194, ALLOY C17200, CONDITION H | N/A |
| GASKET | SILICONE RUBBER PER ZZ-R-765 | N/A |

NOTES:
1. CAPTURED CENTER CONTACT

| | | |
|--|-------------------------------------|--|
| UNLESS OTHERWISE SPECIFIED DIMENSIONS ARE IN INCHES TOLERANCE ON FRAC DEC. ANGLES ± 1/64 ± .005 ± 1° | DRAWN BY: <i>B.W.</i> DATE: 4/17/92 |  M/A-COM, Inc. Waltham, MA 02254 <i>an AMP company</i> |
| | CHECKED BY: <i>M.W.</i> 07/23/92 | |
| These drawings and specifications are the property of M/A-COM incorporated and shall not be reproduced or copied or used in whole or in part as the basis for the manufacture or sale of item(s) without written permission. | APPROD BY: <i>J.M.</i> 04/17/92 | TITLE OSMT PLUG TO OSM PLUG ADAPTER |
| | USE ASSY PROCEDURE | NO. AP. N/A |
| | SCALE 10 : 1 | SHEET 1 OF 1 |