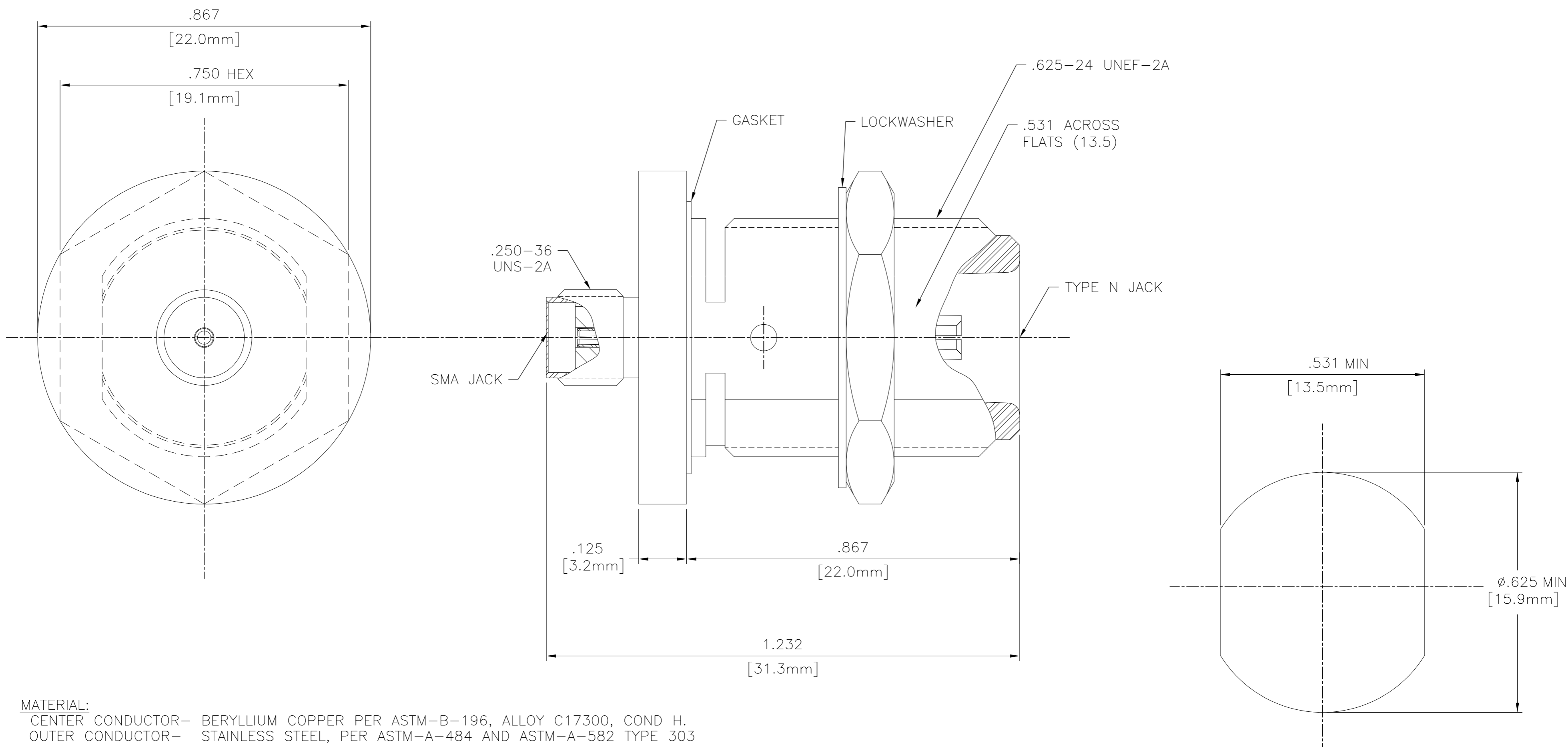


THIS DRAWING IS UNPUBLISHED. RELEASED FOR PUBLICATION  
 © COPYRIGHT - By - ALL RIGHTS RESERVED.

LOC	DIST	REVISIONS			
P	LTR	DESCRIPTION	DATE	DWN	APVD
HC	00	A	ECR-12-005726	27MAR12	RK MY



**MATERIAL:**  
 CENTER CONDUCTOR- BERYLLIUM COPPER PER ASTM-B-196, ALLOY C17300, COND H.  
 OUTER CONDUCTOR- STAINLESS STEEL, PER ASTM-A-484 AND ASTM-A-582 TYPE 303

DIELECTRIC- PTFE PER ASTM-D-1457

**PLATING:**  
 INNER CONDUCTOR- GOLD PER MIL-G-45204  
 OUTER CONDUCTOR- PASSIVATED PER QQ-P-35

RECOMENDED MOUNTING HOLE

THIS DRAWING IS A CONTROLLED DOCUMENT.		DWN G. VIERA 25APR03	TE Connectivity	
DIMENSIONS: INCHES		CHK D. CAMELIO 24APR03		
TOLERANCES UNLESS OTHERWISE SPECIFIED:		APVD D. CAMELIO 24APR03	NAME SMA JACK TO TYPE N JACK ADAPTER BULKHEAD FEEDTHROUGH (3684-2240-00)	
0 PLC ± - 1 PLC ± - 2 PLC ± - 3 PLC ± .005 4 PLC ± - ANGLES ± 1°		PRODUCT SPEC -	SIZE A2	CAGE CODE 00779
MATERIAL -		FINISH -	DRAWING NO C=1058675-1	RESTRICTED TO -
WEIGHT -		APPLICATION SPEC -	SCALE 5:1	SHEET 1 of 1
CUSTOMER DRAWING		REV A		