

PAM8003

Filterless 2W Class-D Stereo Audio Amplifier

Key Features

- 2W Output at 10% THD with a 4Ω Load and 5V Power Supply
- Filterless, Low Quiescent Current and Low EMI
- Low THD+N
- 64-step DC Volume Control
- Superior Low Noise
- Short Circuit Protection
- Thermal Shutdown
- Few External Components to Save the Space and Cost
- Pb-Free Package

Applications

- LCD Monitors / TV Projectors
- Notebook Computers
- Portable Speakers
- Portable DVD Players, Game Machines
- Cellular Phones/Speaker Phones

General Description

The PAM8003 is a 2W, class-D audio amplifier. It offers low THD+N, allowing it to achieve high-quality sound reproduction. The new filterless architecture allows the device to drive the speaker directly, requiring no low-pass output filters, thus to save the system cost and PCB area.

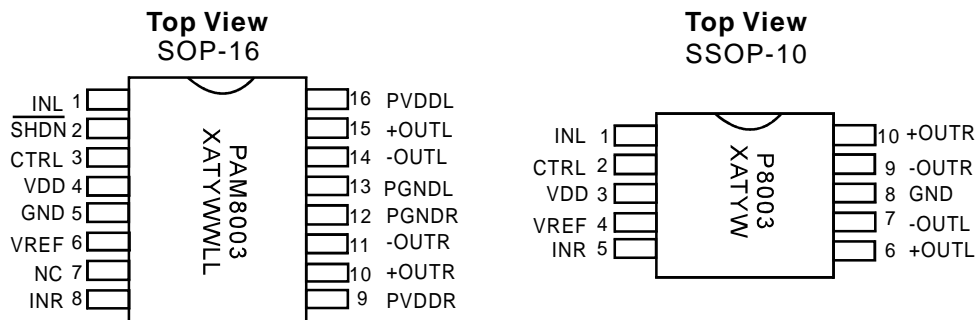
With the same numbers of external components, the efficiency of the PAM8003 is much better than that of class-AB cousins. It can extend the battery life, ideal for portable applications.

The PAM8003 is available in SOP-16L, MSOP-10L and TQFN3*3-16L package.

Ordering Information

Part Number	Package Type
PAM8003DR	SOP-16L
PAM8003SM	MSOP-10L

Pin Configuration



Typical Application Circuit

