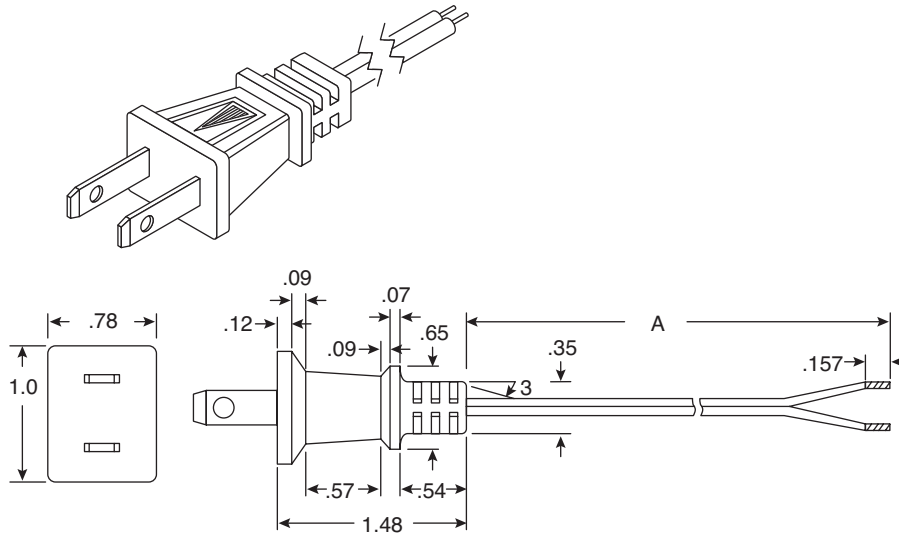


# AC Power Cords

173-11102-E, 173-11121-E, 173-11123-E,  
173-11124-E, 173-11125-E, 173-31102-E, 173-31103-E



AC Power Cords 173-11102-E, 173-11121-E, 173-11123-E, 173-11124-E, 173-11125-E, 173-31102-E, 173-31103-E



Dimensions: in.

SPECIFICATIONS	
<b>Cable:</b>	18 AWG (34/41), 2 Conductor, One Conductor Polarity Ribbed
<b>Stranding:</b>	41 x 34, Bare Copper
<b>Insulation:</b>	Coded PVC
<b>Rated:</b>	10A/125V, 1250W
<b>Plug:</b>	NEMA 1-15P, No Polarized Blade
RoHS Compliant	

MOUSER STOCK NO.	Type	Approx. O.D. of Cable (ø)	Color	Length (A)
173-11102-E	SPT-1	.106 x .213	Black	72
173-11121-E	SPT-1	.106 x .213	Black	120
173-11123-E	SPT-1	.106 x .213	Brown	72
173-11124-E	SPT-1	.106 x .213	Brown	120
173-11125-E	SPT-1	.106 x .213	Black	180
173-31102-E	SPT-2	.134 x .268	Black	72
173-31103-E	SPT-2	.134 x .268	Black	120

Date Last Revised: 07-16-07

Available from Mouser Electronics  
1-800-346-6873 / [www.mouser.com](http://www.mouser.com)

KC-300970

Specifications are subject to change without notice. No liability or warranty implied by this information. Environmental compliance based on producer documentation.