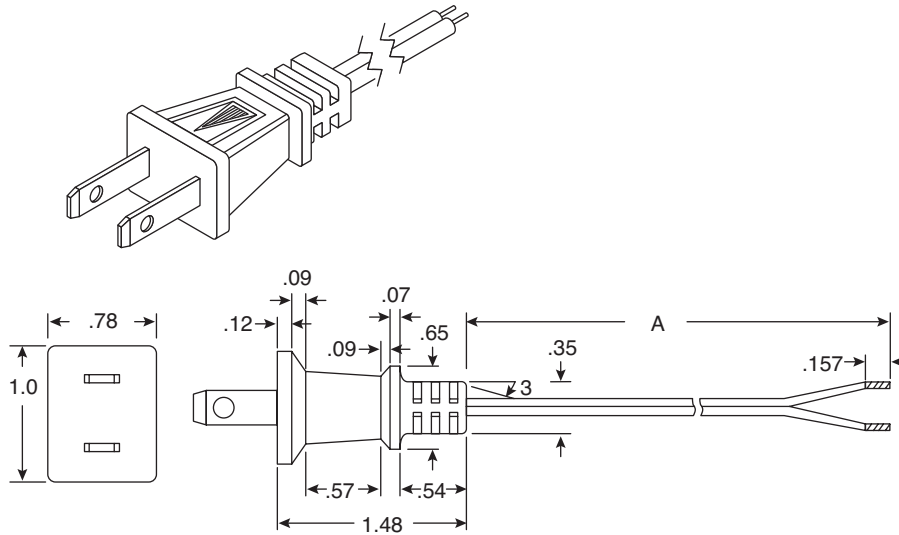


# AC Power Cords

173-11102-E, 173-11121-E, 173-11123-E,  
173-11124-E, 173-11125-E, 173-31102-E, 173-31103-E



AC Power Cords 173-11102-E, 173-11121-E, 173-11123-E, 173-11124-E, 173-11125-E, 173-31102-E, 173-31103-E



Dimensions: in.

| SPECIFICATIONS     |  |
|--------------------|--|
| <b>Cable:</b>      | 18 AWG (34/41), 2 Conductor, One Conductor Polarity Ribbed |
| <b>Stranding:</b>  | 41 x 34, Bare Copper                                       |
| <b>Insulation:</b> | Coded PVC  |
| <b>Rated:</b>      | 10A/125V, 1250W  |
| <b>Plug:</b>       | NEMA 1-15P, No Polarized Blade                             |
| RoHS Compliant     |  |

| MOUSER STOCK NO. | Type  | Approx. O.D. of Cable (ø) | Color | Length (A) |
|------------------|-------|---------------------------|-------|------------|
| 173-11102-E      | SPT-1 | .106 x .213               | Black | 72         |
| 173-11121-E      | SPT-1 | .106 x .213               | Black | 120        |
| 173-11123-E      | SPT-1 | .106 x .213               | Brown | 72         |
| 173-11124-E      | SPT-1 | .106 x .213               | Brown | 120        |
| 173-11125-E      | SPT-1 | .106 x .213               | Black | 180        |
| 173-31102-E      | SPT-2 | .134 x .268               | Black | 72         |
| 173-31103-E      | SPT-2 | .134 x .268               | Black | 120        |

Date Last Revised: 07-16-07

Available from Mouser Electronics  
1-800-346-6873 / [www.mouser.com](http://www.mouser.com)

KC-300970

Specifications are subject to change without notice. No liability or warranty implied by this information. Environmental compliance based on producer documentation.