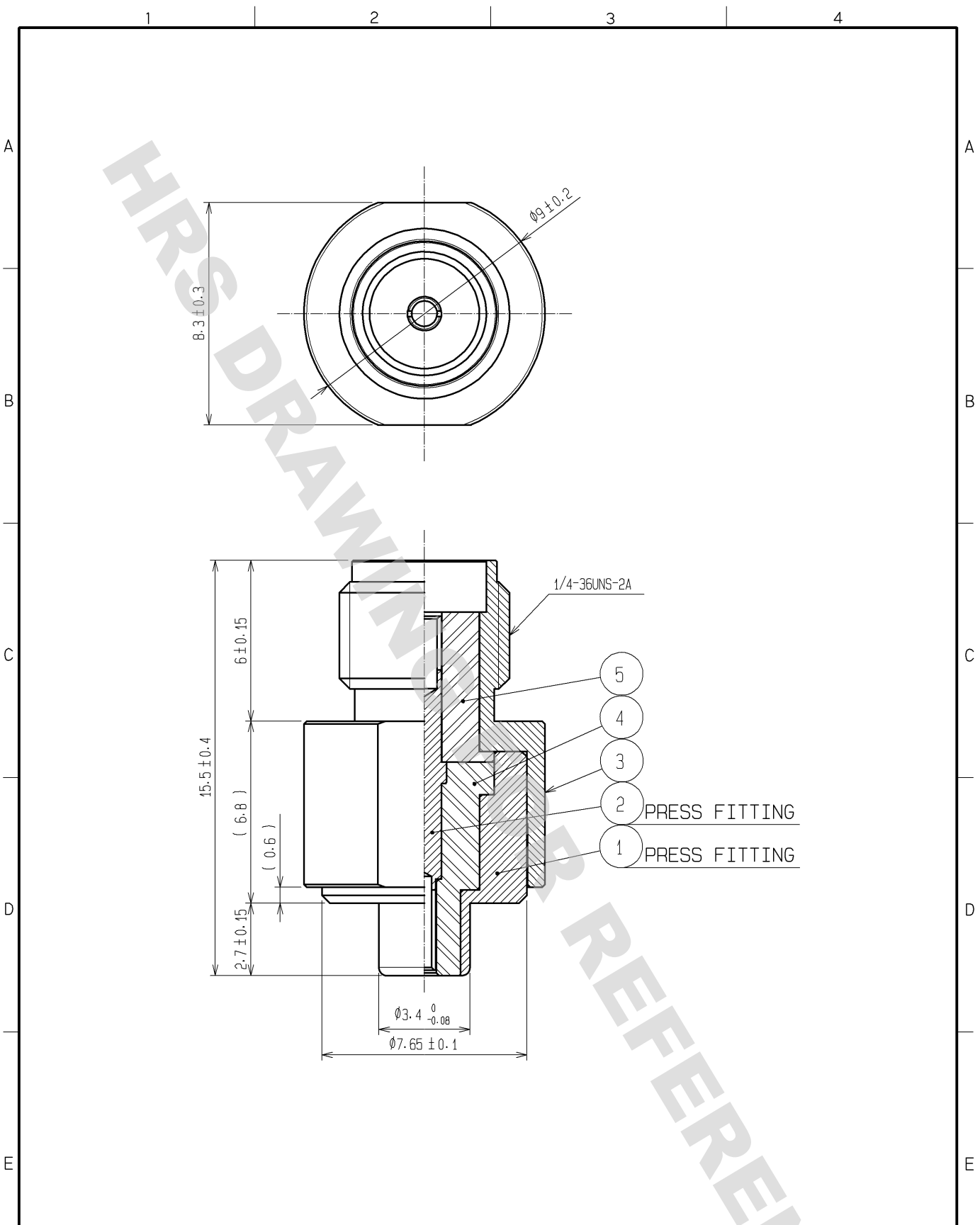


DRAWING FOR REFERENCE: This is subject to change without notice
08/11/2012



3	STAINLESS STEEL	PASSIVATE			
2	BERYLLIUM COPPER	GOLD PLATING	5	PTFE	
1	PHOSPHOR BRONZE	NICKEL PLATING	4	PTFE	
NO.	MATERIAL	FINISH . REMARKS	NO.	MATERIAL	FINISH . REMARKS

UNITS mm		SCALE 5 : 1	COUNT 	DESCRIPTION OF REVISIONS	DESIGNED	CHECKED	DATE
HIROSE ELECTRIC CO., LTD.		APPROVED : KJ. KAWAMURA	08.06.06	DRAWING NO.	EDC4-180501-00		
		CHECKED : RZ. KANO	08.06.06	PART NO.	MS-147R-HRMJ		
		DESIGNED : YH. MATSUO	08.06.06	CODE NO.	CL358-0212-0-00		
		DRAWN : AS. KASUGA	08.06.06		1/1		