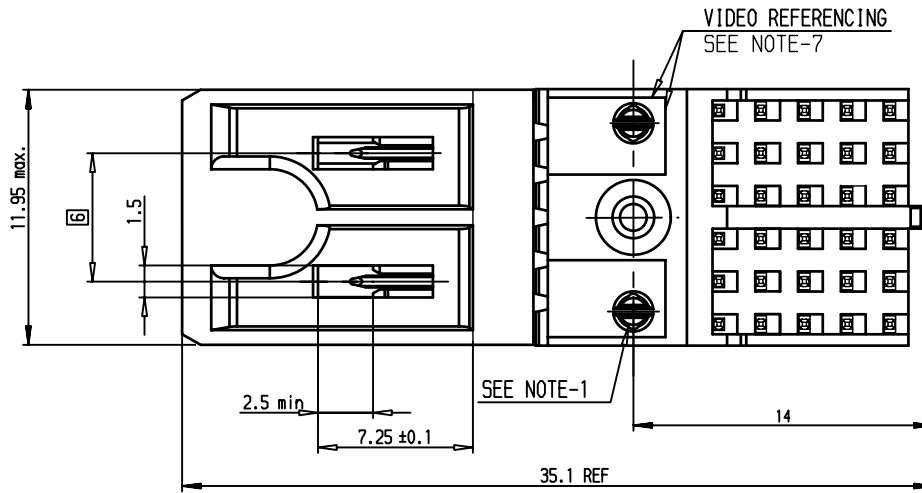


GENERAL CHARACTERISTICS AND ROHS INFORMATIONS:

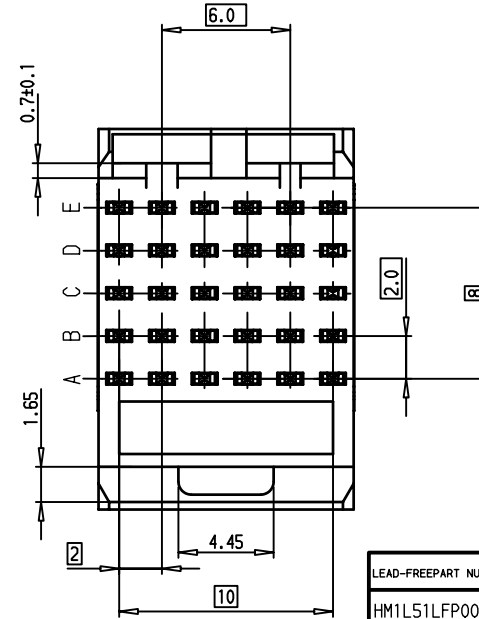
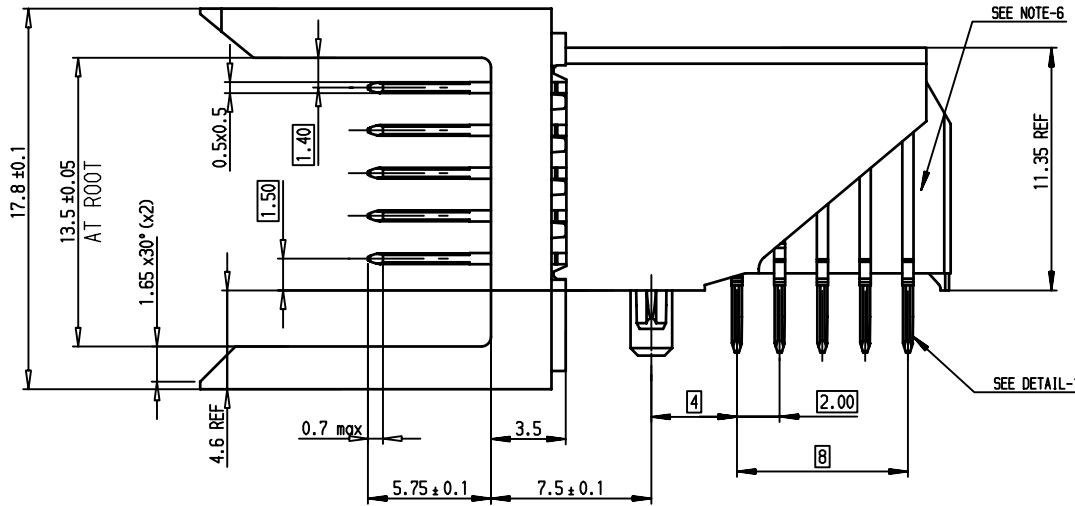
See PRODUCT SPECIFICATION: 6S-12-446

- NOTE-1: SPRING PEGS WITH LOW INSERTION FORCE $\leq 20\text{ N}$ PER MODULE
RETENTION FORCE > 10 N PER MODULE
 - NOTE-2: USE EXISTING CABLE TO BOARD CODING KEYS
 - NOTE-3: PLATING ON MATING PART, SEE PRODUCT SPEC: 6S-12-446
 - NOTE-4: PRODUCT MARKING = PRODUCT PART NUMBER + FCI+DATE CODE
 - NOTE-5: TRUE POS CONTROL WITH GRID GAUGE $\varnothing 0.65$ + WEIGHT 10 N
TRUE POS TOLERANCES ACCORDING TO MOUNTING RANGE = ± 0.35 (X AND Y)
 - NOTE-6: CENTRAL WALL WITH END REAR SUPPORT
 - NOTE-7: VIDEO REFERENCING ON LISIBLE+ACCURATE SHARP PLASTIC EDGES
 - NOTE-8: IF SUFFIX "P" IS ADDED PACKAGING IS TRAYS,
BUT MARKING WILL BE WITHOUT "P"
- Example P/N: HM1L51LFP000H6PLF, Marking: HM1L51LFP0006LF

A



B

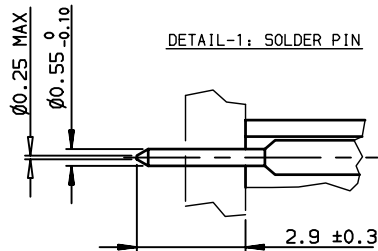


LEAD-FREE PART NUMBER	PERFORMANCE LEVEL
HM1L51LFP000H6PLF	STANDARD P/N, See Prod. Spec 6S-12-446
HM1L51LFP000HxPLF	CUSTOMER SPECIAL, Specific Plating



Copyright FCI.

D

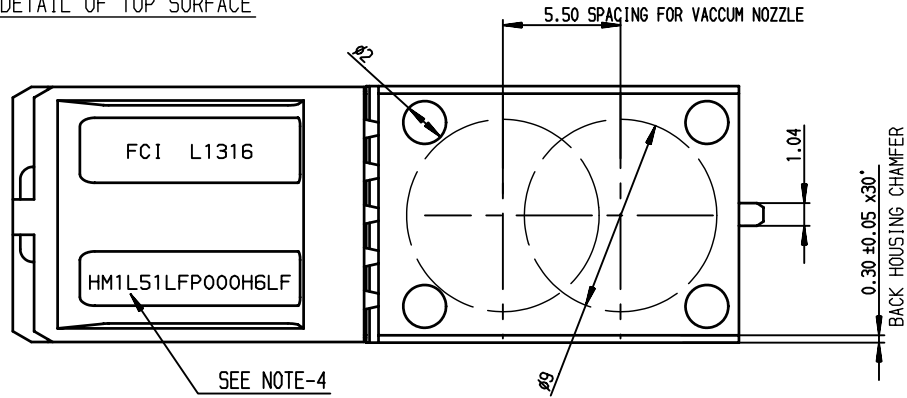


European Views

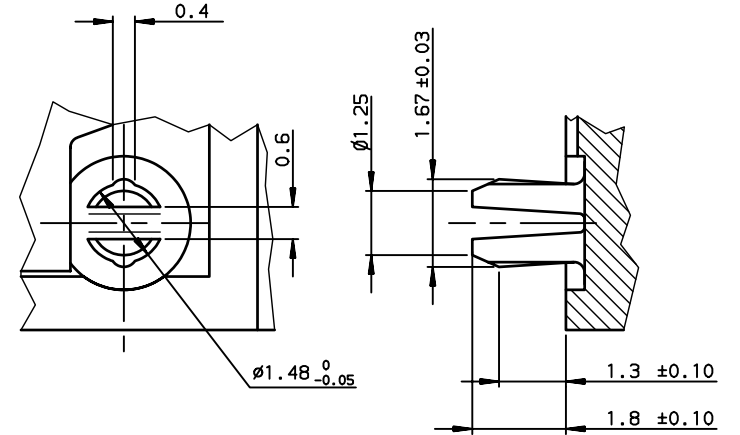
rev	ecn no	dr	date
A	LS07-0163	DVE	2007/06/11
-	-	-	-
-	-	-	-
-	-	-	-
-	-	-	-

www.fciconnect.com		surface ISO 1302	tolerance std ISO 406 ISO 1101	projection mm	TOLERANCES UNLESS OTHERWISE SPECIFIED	
Dr	VERITE	2007/06/11	ANGULAR	0.X	±0.1	size
Eng	VERITE	2007/06/11	LINEAR	0.XX	±0.1	A3
Chr	LEGARE	2007/06/11	0.XX' ±2'	0.XXX	±0.1	Scale
Appr	LEGARE	2007/06/11	Product family	METRAL		4
				ECN		LS07-0163
				Spec ref		-
FCI		title METRAL RA HDR PIP CONVERG		dwg no		Rev.
		WB 5x6-without HDF		C-8626-11320-1		A
catalog no				CUSTOMER		sheet 1 of 3

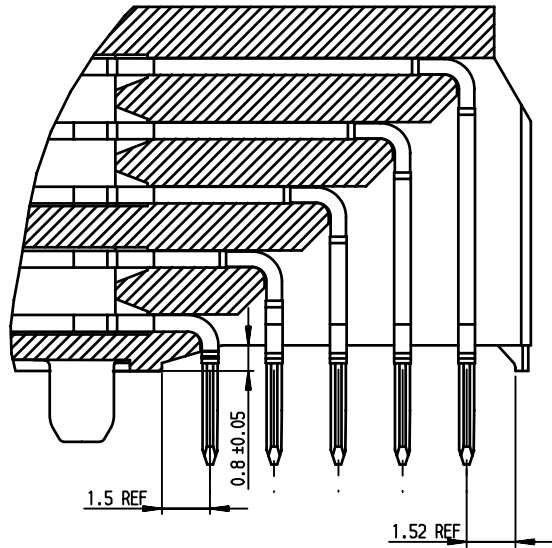
DETAIL OF TOP SURFACE



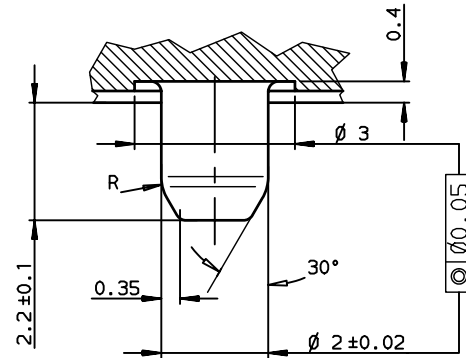
DETAIL OF RETENTION PEGS (2x) SCALE 10/1



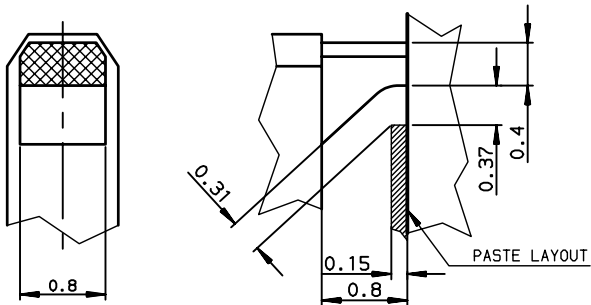
DETAIL OF STAND-OFF SCALE- 6/1



DETAIL OF CENTRAL PEG SCALE 10/1



DETAIL OF REAR SUPPORT SCALE-20/1



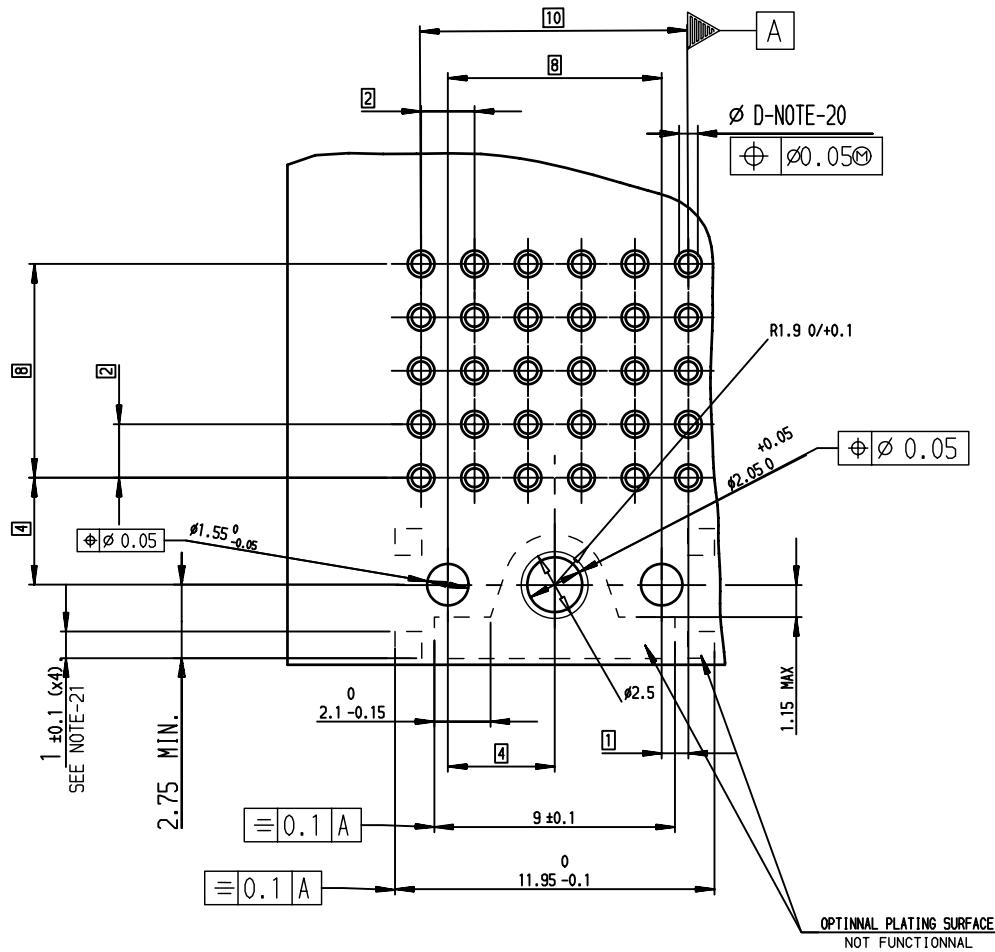
European Views

www.fciconnect.com		surface ISO 1302	<input checked="" type="checkbox"/>	tolerance std ISO 406 ISO 1101	projection 	mm
TOLERANCES UNLESS OTHERWISE SPECIFIED						
Dr	VERITE	2007/06/11	ANGULAR	0.X	±0.1	size A3
Eng	VERITE	2007/06/11	LINEAR	0.XX	±0.1	Scale 4
Chr	LEGARE	2007/06/11	0.XX' ±2'	0.XXX	±0.1	ECN LS07-0163
Appr	LEGARE	2007/06/11	Product family	METRAL		Spec ref -
		title METRAL RA HDR PIP CONVERG			dwg no C-8626-11320-2	Rev. A
catalog no		-			CUSTOMER	sheet 2 of 3



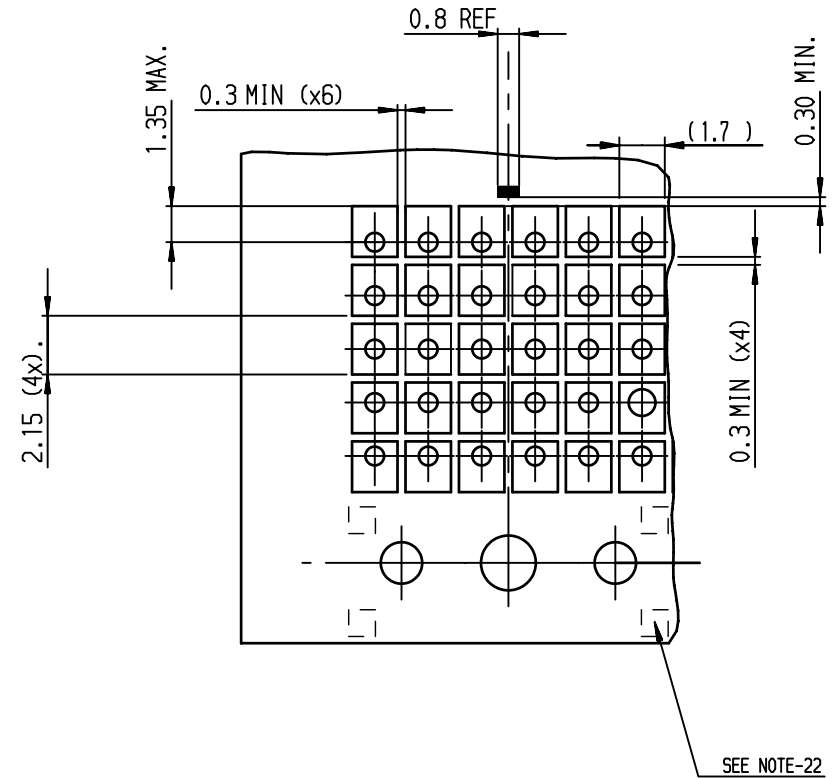
Copyright FCI.

RECOMMENDED PCB LAYOUT



NOTE-20: PTH DIMENSIONS - ØD
 - DRILL DIAMETER = (0.85 REF) and Plating
 - See Product Spec ; 65-12-446
 NOTE-21: 4 SQUARE REFERENCE PADS
 NOTE-22: NO PASTE ALLOWED ON 4 REFERENCE PADS
 NOTE-23: PRODUCT REAR SUPPORT LOCATION
 NOTE-24: RECOMMENDED PASTE THICKNESS = 0.15

RECOMMENDED STENCIL LAYOUT



European Views

www.fciconnect.com		surface ISO 1302 ✓	tolerance std ISO 406 ISO 1101	projection mm	TOLERANCES UNLESS OTHERWISE SPECIFIED	
Dr	VERITE	2007/06/12	ANGULAR	0.X	±0.1	size A3
Eng	VERITE	2007/06/12	LINEAR	0.XX	±0.1	Scale 5
Chr	LEGARE	2007/06/12	0.XX' ±2'	0.XXX	±0.1	ECN LS07-0163
Appr	LEGARE	2007/06/12	Product family	METRAL	Spec ref	-
title METRAL RA HDR PIP CONVERG WB 5x6- without HDF catalog no -			dwg no C-8626-11320-3 Rev. A		CUSTOMER sheet 3 of 3	