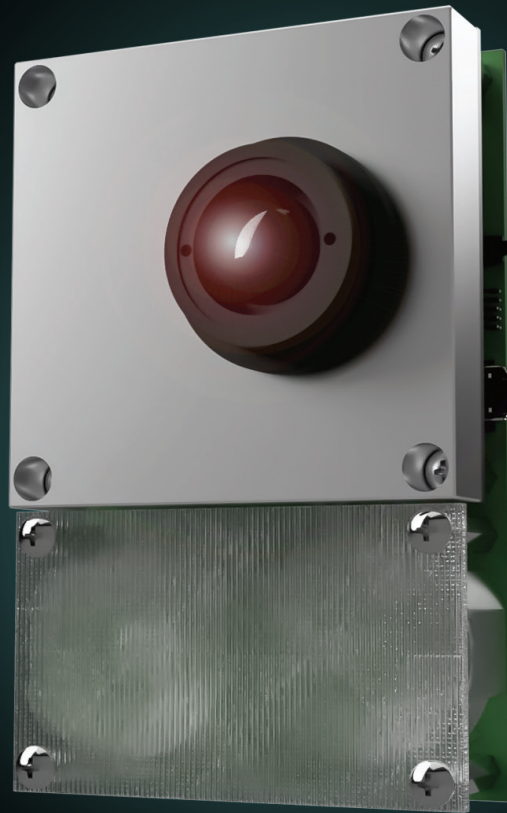


# LeddarTech®



## LEDDAR M16

MULTI-ELEMENT  
SENSOR MODULE

# LEDDAR M16

## HIGH-PERFORMANCE, COST-EFFECTIVE, DETECTION AND RANGING FOR ANY ENVIRONMENT

### MULTI-ELEMENT SENSOR MODULE

The Leddar® M16 Sensor Module is an advanced sensing solution that combines 16 independent active elements into a single sensor, resulting in rapid, continuous and accurate detection and ranging — including lateral discrimination — in the entire wide beam, without any moving parts. The Leddar M16 can be easily integrated to add sensing intelligence to almost any application, enabling developers and integrators to make the most of this cutting-edge technology while providing unmatched flexibility.

### RECEIVER ASSEMBLY

The Leddar receiver includes 16 independent segments with simultaneous acquisition capabilities. Several beam options are available, ranging from 9° to 95° (see back page). The beam width and height depend on the selected beam option.

### SOURCE AND CONTROL ASSEMBLY

The Leddar source and control assembly includes IR LED emitters with a dominant wavelength of 940 nm and incorporates the processing and I/O for the targeted applications. The source and control assembly beam matches the receiver assembly.

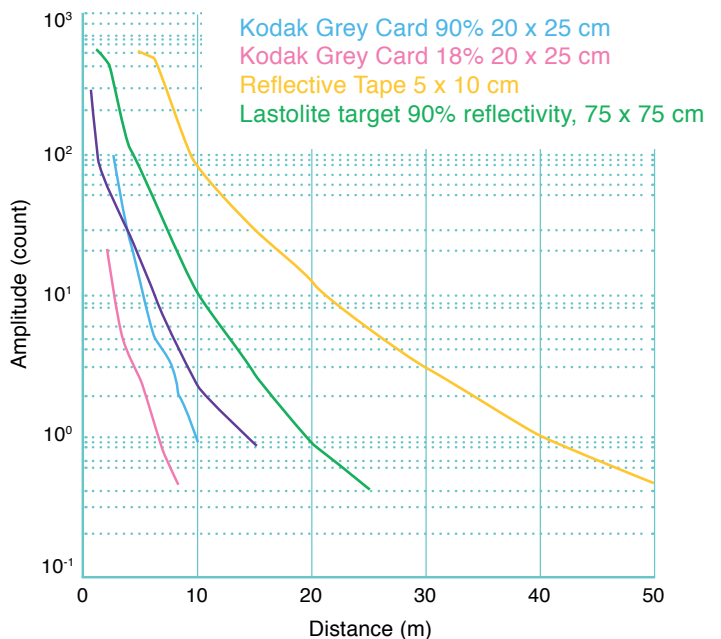
### INTERFACES

A 3.81 mm x 8 pin male header is provided for interfacing through a cable harness or terminal block. A USB “Mini-B” connector is also provided for use with the Leddar® Software Development Kit, and a 2 x 20, 0.050” header is provided for custom expansion. Please contact the factory for specific interface requirements.

### SOFTWARE DEVELOPMENT KIT (SDK)

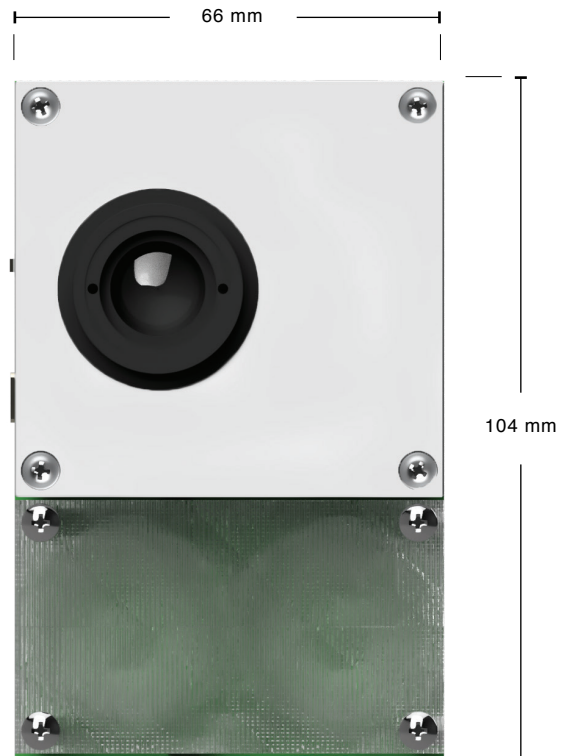
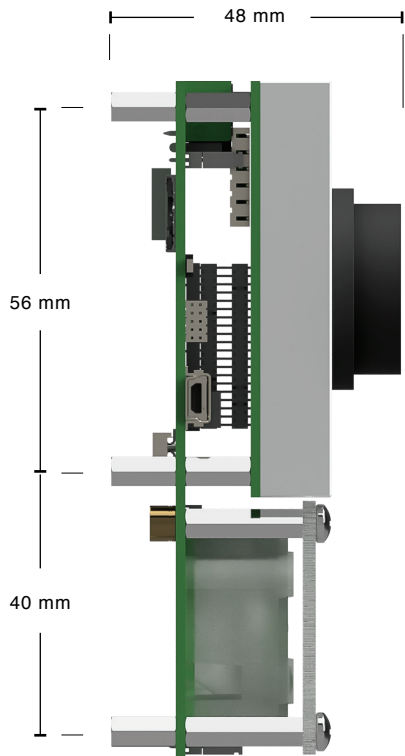
The Leddar Enabler SDK provides a user-friendly application programming interface (API) with .Net and C libraries and code examples. Sample code for RS-485/MODBUS for both Windows and Linux, as well as LabVIEW and MATLAB integration examples, are also provided.

### AMPLITUDE VS DISTANCE



The chart above displays the detection amplitude of a 45° sensor for five reference objects (photography grey cards and reflective tape) of varying size and reflectivity.

# LEDDAR M16



The module can be mounted from the back with six M3 machine screws.

## CHARACTERISTICS

- **Beams** 9°, 18°, 24°, 34°, 45°, 95°
- **Interfaces** USB, RS-485, CAN, UART
- **Wavelength** 940 nm
- **Power supply** 12 or 24 VDC (jumper - selectable)
- **Dimensions** 104 mm x 66mm x 48mm<sup>1</sup>
- **Weight** 180 g

<sup>1</sup> Apply to 45-degree model; different dimensions apply to other models, according to optics.

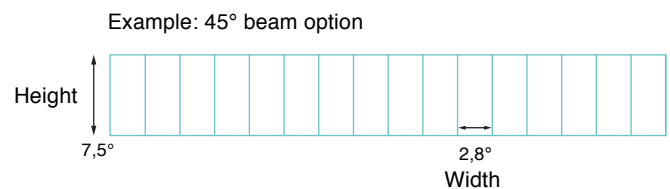
## SYSTEM PERFORMANCE

- **Detection range** 0 to 100 meters (325 ft.)<sup>2</sup>
- **Accuracy** 5 cm
- **Data refresh rate** 6.25 Hz to 100 Hz<sup>3</sup>
- **Operating temperature range** -40°C to + 85°C
- **Meets IEC 62471 2006 criteria:** Exempt lamp classification
- **Distance precision** 6 mm
- **Distance resolution** 10 mm
- **Power consumption** 4 W

<sup>2</sup> Varies according to optics and target.

<sup>3</sup> Depends on configuration.

## HEIGHT AND WIDTH OF 45° BEAM OPTION



## ORDERING INFORMATION

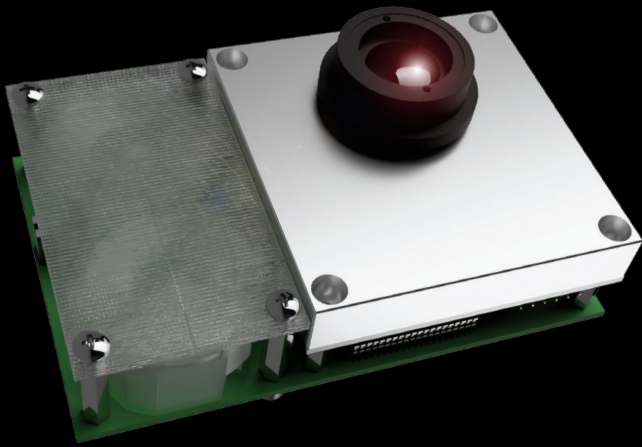
### LED - MOD - XX - 10

□ Beam selection:  
9°, 18°, 24°, 34°, 45°, 95°

□ Interfaces :  
10 = USB, RS-485, CAN, UART

# LEDDAR M16

**HIGH-PERFORMANCE, COST-EFFECTIVE,  
DETECTION AND RANGING FOR ANY  
ENVIRONMENT.**



## OVERVIEW

### ✓ Module Features

- 16 independent segments with simultaneous acquisition and lateral discrimination capabilities
- 9° to 95° beam options, for optimized field of view
- 0 to 100 meter detection range (325 ft.)
- Rapid data acquisition time up to 50 Hz

### ✓ Leddar M16 Benefits

- Proven reliability, even in harsh conditions
- Immune to ambient light
- No moving parts, for ultimate robustness
- Easy to integrate, includes Leddar Enabler SDK
- Low power consumption
- Best cost/performance ratio

#### LeeddarTech HQ

4535 boul. Wilfrid-Hamel, Office 240  
Quebec City (Quebec) G1P 2J7  
Canada

Phone: 1-418-653-9000  
Toll Free: 1-855-865-9900  
Fax: 1-418-653-9099

[leddartech.com](http://leddartech.com)

The content of this datasheet is subject to change without notice. Leddar™ is a registered trademark of LeddarTech Inc. Leddar® technology is covered by one or more of the following U.S. patents: 7,855,376 B2, 7,554,652, 8,319,949 B2, 8,310,655, 8,242,476, 8,908,159, 8,767,215 B2 or international equivalents. Other patents pending. The content of this datasheet is subject to change without notice. Find the most recent version of our datasheet on our website. Printed in Canada.  
Copyright LeddarTech Inc. © All rights reserved.

