

MATERIALS AND FINISHES:

BODY: STAINLESS STEEL  
FINISH: PASSIVATED

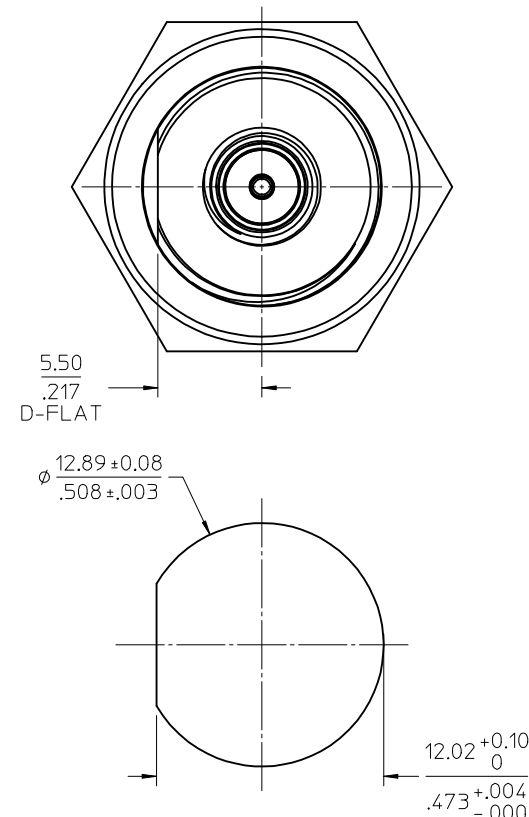
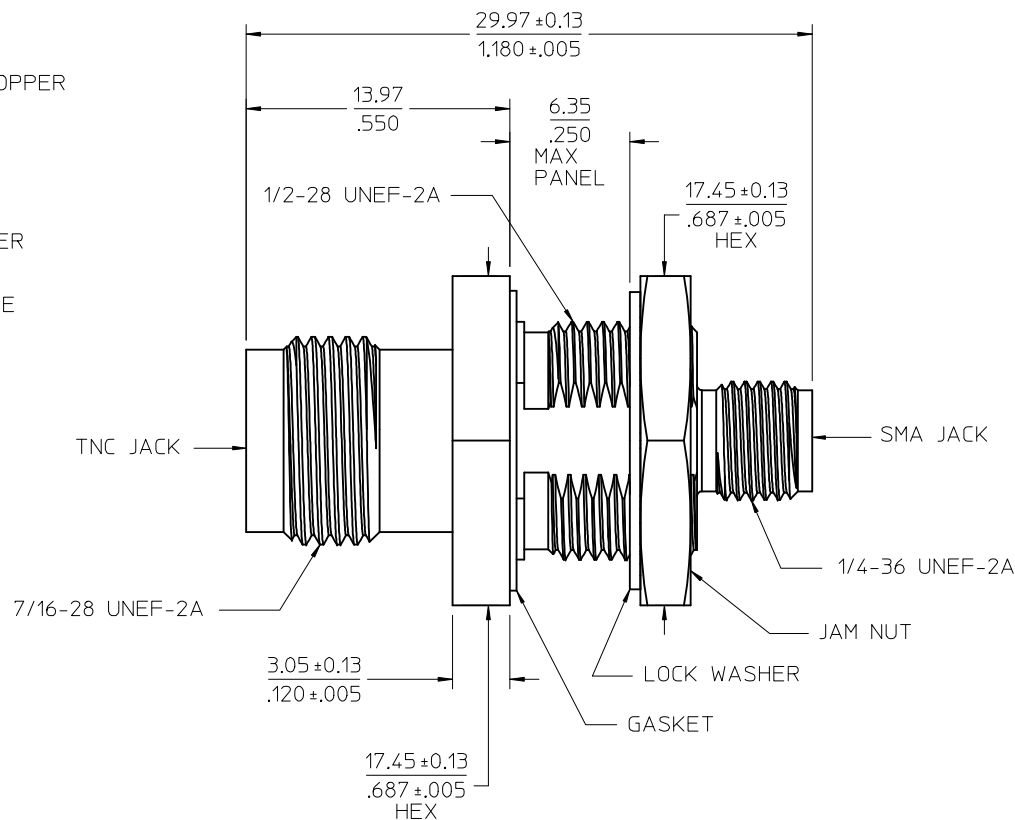
CENTER CONTACT: BERYLLIUM COPPER  
FINISH: GOLD

INSULATOR: TEFLON

GASKET, O-RING: SILICONE RUBBER

LOCKWASHER: PHOSPHOR BRONZE  
PLATED NICKEL

JAM NUT: BRASS  
PLATED NICKEL



73386-1800
PART NO.

ALL DIMENSIONS ARE REFERENCE UNLESS SPECIFIED

RECOMMENDED  
PANEL LAYOUT

CHG: ADDED HEX TOL EC NO: URF2015-0009 DRWN: JLEE02 2014/07/09 CHKD: SSS 2014/07/09 APPR: WSPINK 2014/07/10	QUALITY SYMBOLS ▽=0 ▽=0	GENERAL TOLERANCES (UNLESS SPECIFIED)		DIMENSION STYLE MM/IN		SCALE METRIC	DESIGN UNITS METRIC		THIRD ANGLE PROJECTION	
		4 PLACES ± --- + --- 3 PLACES ± --- ± --- 2 PLACES ± --- ± --- 1 PLACE ± --- ± ---	mm INCH ± --- ± --- ± --- ± --- ± --- ± ---	DRAWN BY JLEE02	DATE 2014/05/06	TITLE BSA, TNC J TO SMA J BH 50 OHMS EWR-5388, BSA-TNC/SMA				
		ANGULAR ± 2 °		CHECKED BY SSS	DATE 2014/05/06	MOLEX INCORPORATED				
		DRAFT WHERE APPLICABLE MUST REMAIN WITHIN DIMENSIONS		APPROVED BY WSPINK	DATE 2014/06/13	MATERIAL NO. SEE TABLE	DOCUMENT NO. SD-73386-180	SHEET NO. 1 OF 1		