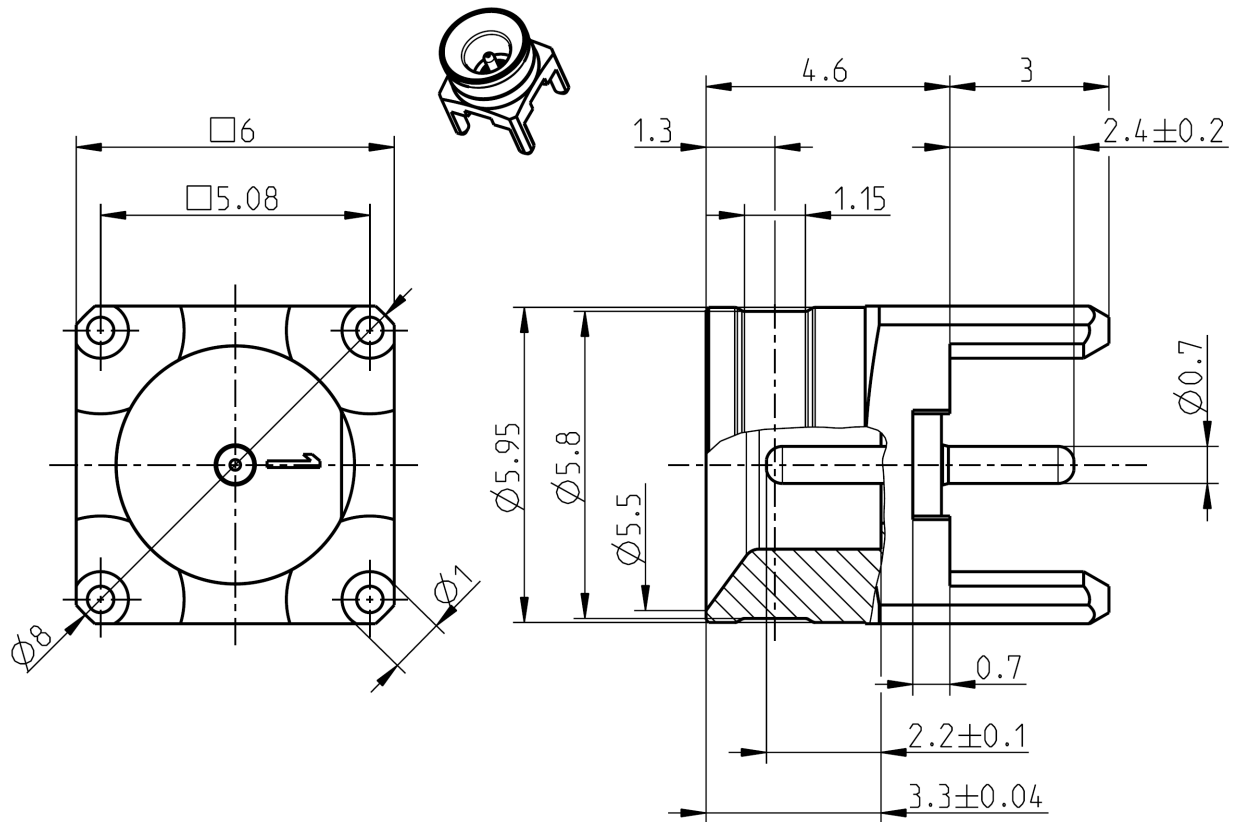


Longwipe-SMP

Straight Plug PCB Catchers mitt

17S14D-400L5



All dimensions are in mm; tolerances acc. ISO 2768 m-H

Interface

According to

Rosenberger Longwipe SMP 17S/K000-000

Documents

PCB layout

B 30

Tape & reel packaging

VG139.60000

Material and plating

Connector parts

- Center contact
- Outer contact
- Dielectric

Material

- Brass
- Brass
- PEEK

Plating

- AuroDur®, gold plated
- AuroDur®, gold plated

Dieses Dokument ist urheberrechtlich geschützt • This document is protected by copyright • Rosenberger Hochfrequenztechnik GmbH & Co. KG

RF_35/08.13/6.1

Longwipe-SMP

Straight Plug PCB Catchers mitt

17S14D-400L5

Electrical data

Impedance	50 Ω
Frequency	DC to 6 GHz
Return loss	≥ 28 dB @ DC to 3 GHz ≥ 23 dB @ 3 GHz to 6 GHz
Insertion loss	≤ 0.05 x √f [GHz] dB
Insulation resistance	≥ 5 GΩ
Center contact resistance	≤ 6 mΩ
Outer contact resistance	≤ 2 mΩ
Test voltage (at sea level)	500 V rms
Working voltage (at sea level)	335 V rms
Contact Current	≤ 1.2A DC

- Connector only, Return loss in application depends decisive on PCB layout –

Mechanical data

Mating cycles	
if mating part is Smooth bore, Catchers mitt	≥ 1000
Center contact captivation	≥ 7 N
Engagement force	
- Smooth bore, Catchers mitt	≤ 9 N
Disengagement force	
- Smooth bore, Catchers mitt	≥ 2.2 N

Environmental data

Temperature range	-65 °C to +155 °C
Rapid change of temperature (related to SMP)	IEC 60068-2-14 (-65°C to 155°C, 1h dwell, 50 cycles)
Vibration (related to SMP)	MIL-STD-202, Method 204, Condition B
Shock (related to SMP)	MIL-STD-202, Method 213, Condition A
Damp heat (related to SMP)	IEC 60068-2-78 (40°C, 93% RH, 56d)
High temperature endurance	IEC 60169-1, Sub-clause 18 (+155°C, 250 hours)
Max. soldering temperature	IEC 61760-1, +260 °C for 10 sec.
RoHS	compliant

Tooling

N/A

Suitable cables

N/A

Weight

Weight 0.85 g/pce

While the information has been carefully compiled to the best of our knowledge, nothing is intended as representation or warranty on our part and no statement herein shall be construed as recommendation to infringe existing patents. In the effort to improve our products, we reserve the right to make changes judged to be necessary.

Draft	Date	Approved	Date	Rev.	Engineering change number	Name	Date
S. Mühlbacher	17.04.14	S_Muehlbacher	23.03.15	c00	14-1585	C_Vitzthum	23.03.15

Rosenberger Hochfrequenztechnik GmbH & Co. KG
 P.O.Box 1260 D-84526 Tittmoning Germany
www.rosenberger.de

Tel. : +49 8684 18-0
 Email : info@rosenberger.de

Page
 2 / 2