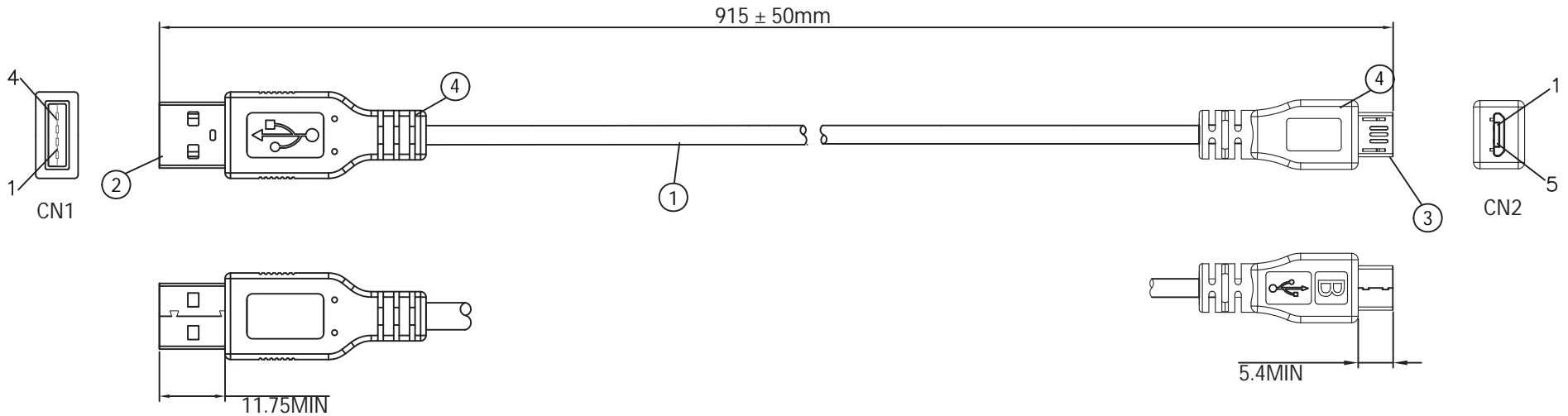
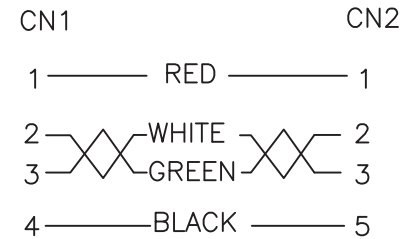


THESE DRAWINGS ARE THE PROPERTY OF QUALTEK ELECTRONICS AND NOT TO BE REPRODUCED FOR OR COMMUNICATED TO A THIRD PARTY WITHOUT THE EXPRESS WRITTEN PERMISSION OF AN OFFICER OF QUALTEK ELECTRONICS.

| REVISION | | | |
|----------|-------------------|----------|----------|
| REV. | DESCRIPTION | DATE | APPROVED |
| B | Updated Tolerance | 05-08-19 | LY |
| | | | |



CONNECTION



SHELL — BRAID & DRAIN — SHELL

NOTES:

1. CABLE: UL2725
28AWG*1PR+28AWG*2C+AEB(AL) 65%
OUTER JACKET: WHITE, OD: 4.0 ± 0.2mm
2. CONNECTOR: USB A TYPE MALE
INSULATOR: WHITE PBT
PIN G/F
NICKEL PLATED SHELL
3. CONNECTOR: MICRO USB B TYPE MALE
INSULATOR: BLACK
PIN G/F
NICKEL PLATED SHELL
4. PVC MOLDED: 45P WHITE
5. ELECTRICAL TEST:
<1>.100% OPEN SHORT & MISS WIRE TEST
<2>.INSULATION RESISTANCE: DC300V 10M ohm MIN.
<3>.CONDUCTOR RESISTANCE: 2 ohm MAX.

CONTROLLED

| | | | | |
|----------------|--------------------|---|--------------|----------------|
| Dim range (mm) | Tolerance +/- (mm) | Qualtek Electronics Corp. WCI DIVISION | | |
| | | Part Number: 3025010-03 | | RoHS Compliant |
| 0-1 | 0.15 | Description: USB 4P(A)/M - MICRO USB 5P(B)/M | | |
| 1-6 | 0.20 | | | |
| 6-18 | 0.30 | RFQ# 2505D | UNIT: mm | REV. B |
| 18-50 | 0.50 | | Drawn / Date | Checked / Date |
| 50-120 | 0.70 | R. Nuti 06-13-13 | 06-13-13 | LY / 06-13-13 |
| 120-250 | 0.90 | | | |
| 250-500 | 1.20 | | | |

Mouser Electronics

Authorized Distributor

Click to View Pricing, Inventory, Delivery & Lifecycle Information:

[Qualtek:](#)

[3025010-03](#)