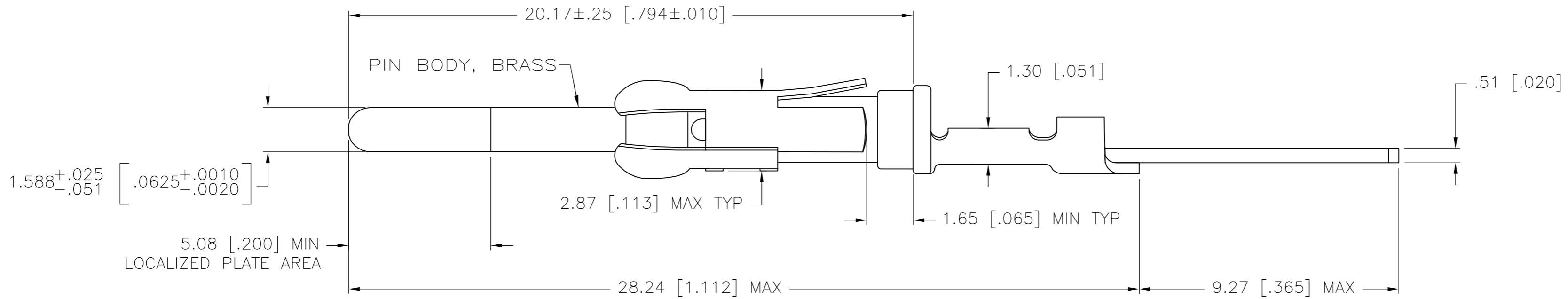
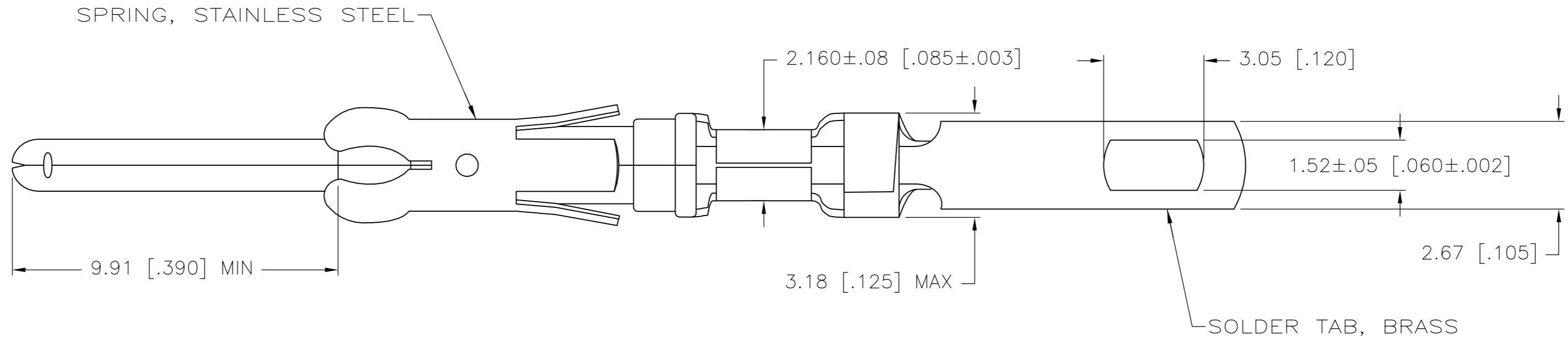


THIS DRAWING IS UNPUBLISHED. RELEASED FOR PUBLICATION
 © COPYRIGHT - ALL RIGHTS RESERVED.

REVISIONS				
P	LTR	DESCRIPTION	DATE	APVD
T2		REVISED PER ECO-16-004223	21JUL2016	NK MZ



- ① 1.27µm [.000050] MIN TIN-LEAD OVER
1.27µm [.000050] MIN NICKEL.
- ② 0.76µm [.000030] MIN GOLD IN LOCALIZED PLATE AREA, 0.25µm [.000010] MIN GOLD ON THE REMAINDER ALL OVER
1.27µm [.000050] MIN NICKEL.
- ③ 2.54µm [.000100] MIN TIN-LEAD OVER
1.27µm [.000050] MIN NICKEL.
- ④ 2.54µm [.000100] MIN TIN OVER
1.27µm [.000050] MIN NICKEL.
- ⑤ 1.27µm [.000050] MIN TIN OVER
1.27µm [.000050] MIN NICKEL.

OBSOLETE	④	SMALL PACK	②	202236-8
		STANDARD	②	202236-7
	③	SMALL PACK	⑤	202236-6
		STANDARD	⑤	202236-5
		SMALL PACK	①	202236-4
		SMALL PACK	②	202236-3
		STANDARD	①	202236-2
		STANDARD	②	202236-1
	FINISH SOLDER TAB	PACKAGING TYPE	FINISH	PART NO

THIS DRAWING IS A CONTROLLED DOCUMENT.		DWN H MOLL 27SEP90	TE TE Connectivity	
DIMENSIONS: mm [INCHES]		CHK J.McCLINTON 15DEC90		
TOLERANCES UNLESS OTHERWISE SPECIFIED:		APVD A. BOULLIANNE 15DEC90	NAME PIN ASSEMBLY, LOOSE PIECE, TYPE III+	
0 PLC ± -		PRODUCT SPEC -	SIZE A2 CAGE CODE 00779 C=202236	
1 PLC ± -		APPLICATION SPEC -	DRAWING NO -	
2 PLC ± 0.13[.005]		WEIGHT -	RESTRICTED TO -	
3 PLC ± -		FINISH PIN BODY:SEE TABLE	SCALE 8:1 SHEET 1 of 1	
4 PLC ± -		CUSTOMER DRAWING	REV T2	
ANGLES ± -				
MATERIAL SEE CALL OUT				