

PLEASE CHECK WWW.MOLEX.COM FOR LATEST PART INFORMATION

Part Number: [1705020001](#)
Status: **Active**
Overview: [CXP Interconnect System](#)
Description: CXP EF-Long Body without Cover, 84 Circuit

Documents:

[Drawing \(PDF\)](#) [Application Specification AS-170465-0002 \(PDF\)](#)
[Product Specification PS-170502-0001 \(PDF\)](#) [RoHS Certificate of Compliance \(PDF\)](#)

Agency Certification

CSA LR19980
 UL E107635

General

Product Family I/O Connectors
 Series [170502](#)
 Application Board-to-Board, Module-to-Board, Wire-to-Board
 Component Type Cage Assembly, Plug
 Overview [CXP Interconnect System](#)
 Product Name iPass+™
 Type N/A
 UPC 884982298026

Physical

Boot Color N/A
 Circuits (Loaded) 84
 Circuits (maximum) 84
 Durability (mating cycles max) 250
 Flammability 94V-0
 Lock to Mating Part Yes
 Material - Metal Phosphor Bronze
 Material - Plating Mating Nickel
 Material - Plating Termination Copper
 Material - Resin High Temperature Thermoplastic
 Net Weight 45.243/g
 Orientation Right Angle
 PCB Locator Yes
 PCB Retention Yes
 Packaging Type Tray
 Panel Mount Yes
 Pitch - Mating Interface 0.80mm
 Pitch - Termination Interface 0.80mm
 Plating min - Mating 0.762µm
 Polarized to Mating Part Yes
 Polarized to PCB Yes
 Temperature Range - Operating -40°C to +85°C
 Termination Interface: Style Through Hole - Compliant Pin

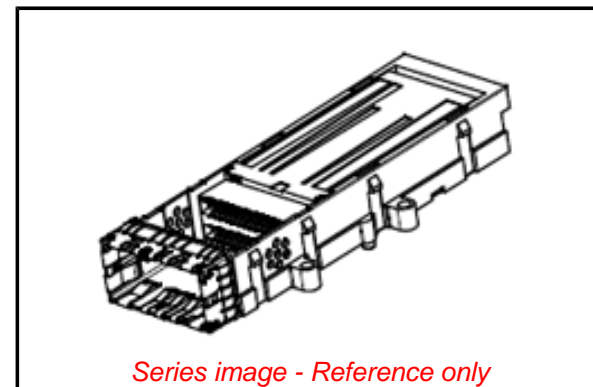
Electrical

Current - Maximum per Contact 0.5A
 Voltage - Maximum 30V AC (RMS)/DC

Material Info

Reference - Drawing Numbers

Application Specification AS-170465-0002
 Electrical Model Document EE-170502-0001
 Product Specification PS-170502-0001



Series image - Reference only

EU ELV

Not Relevant

EU RoHS

Compliant

REACH SVHC

Not Contained Per -
 ED/108/2014 (17 Dec
 2014)

Halogen-Free

Status

Low-Halogen

**Need more information on product
 environmental compliance?**

Email productcompliance@molex.com
 Please visit the [Contact Us](#) section for any
 non-product compliance questions.

China ROHS

ELV

China RoHS

Green Image

Not Relevant

Search Parts in this Series

[170502 Series](#)

Application Tooling | [FAQ](#)

*Tooling specifications and manuals are
 found by selecting the products below.
 Crimp Height Specifications are then
 contained in the Application Tooling
 Specification document.*

Global

Description

Product #

CXP Press-In Tool [0622030031](#)

This document was generated on 03/30/2016

PLEASE CHECK WWW.MOLEX.COM FOR LATEST PART INFORMATION