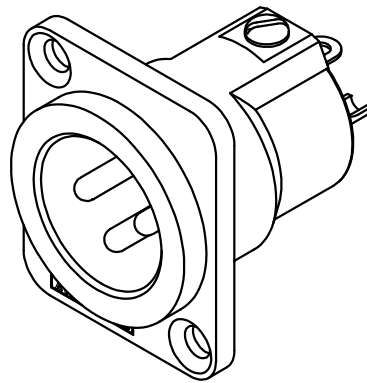


PANEL CUT OUT



ISO VIEW

AC*MDZ	INSERT No.
AC3MDZ	156-4066-*00
AC3MMDZ	156-4068-*00
AC4MDZ	156-4069-*00
AC5MDZ	156-4070-*00
AC6AMDZ	156-4071-*00
AC7MDZ	156-4072-*00

3	UPDATE TO AMPHENOL TITLE BLOCK & LOGO ADD SHEET 2 OF 2 FOR CUSTOMER DRAWING	L.V	02-10-01	7869
2	UPDATE TO AMPHENOL TITLE BLOCK & LOGO INCLUDE THE CONNECTOR ASSEMBLY VIEW	L.V	01-11-00	7661
0	FIRST ISSUE	R.D.	22-09-95	----
REV.	CHANGE DETAILS	BY	DATE	CHG/No

UNLESS OTHERWISE SPECIFIED TOLERANCE TO BE		THIS DOCUMENT IS THE PROPERTY OF AMPHENOL AUSTRALIA PTY. LTD.. NO PART THEREOF MAY BE REPRODUCED AND USED WITHOUT THE PRIOR WRITTEN CONSENT OF THE OWNER			
LINEAR	ANGULAR	CAD FILE: 00819103	DRN: R.D.	DATE: 22-09-95	TITLE:
X ± 1	X' ± 1'	MATL: REFER TO COMPONENT	CKD: M.N.H	DATE: 24-10-01	AC*MDZ PANEL MOUNT CUSTOMER DRAWING
X.X ± 0.5	X'X' ± 30'	FINISH: REFER TO COMPONENT	APP'D: P.M	DATE: 29-10-01	Amphenol
X.XX ± 0.10	X'X'X' ± 15'	DO NOT SCALE	THIRD ANGLE PROJECTION	SCALE: 2:1 UOS	Amphenol Australia Pty Ltd, 2 Fineways Blvd, Keesborough, Vic 3173
DIMENSIONS IN MILLIMETRES		PART No: 128459-0000		DRAWING NO. SHEET	
		SIZE: A3		128459-0000 2 of 2	