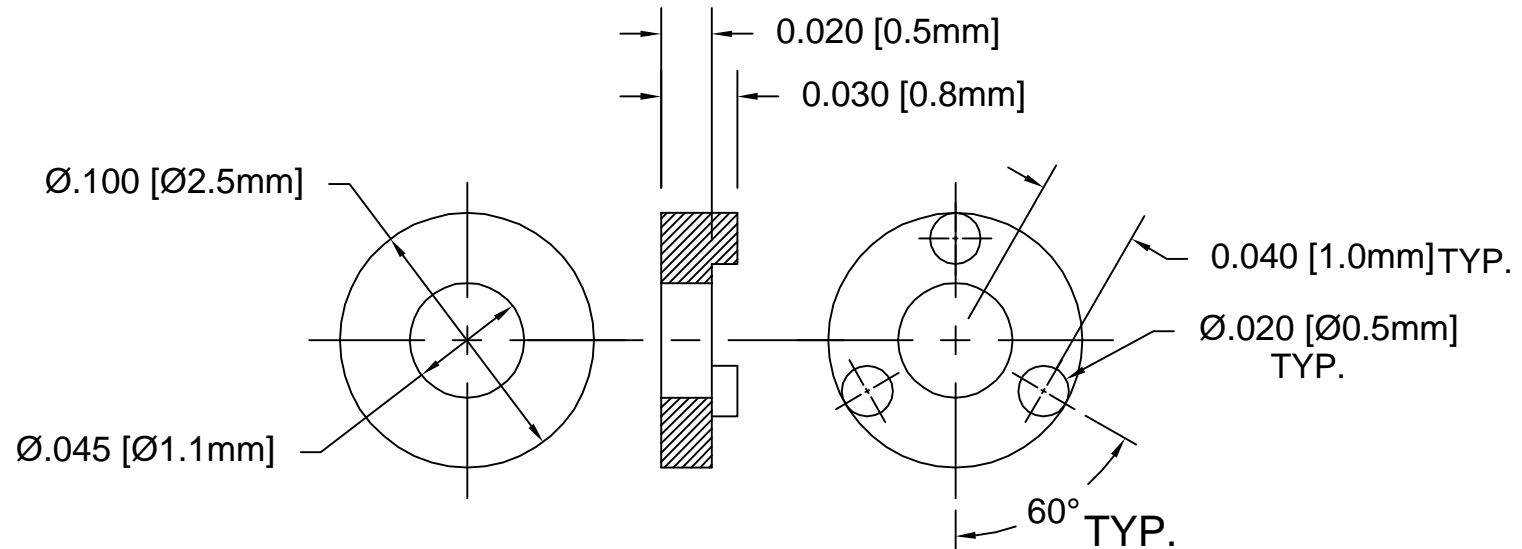

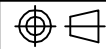


REV.	DESCRIPTION	DATE	APPROVED
C	Engineering Update w/o Changes	02/20/04	M. C.



2. MATERIAL: NYLON 6/6, 94V-2, WHITE. BIVAR MATERIAL CODE 04-WE.
 BASF ULTRAMID NYLON 6/6 A3K WHITE.

1. GENERAL SPECIFICATIONS: BIVAR MOLDED COMPONENT SPECIFICATION BV00-E101.

STANDARD TOLERANCE (UNLESS OTHERWISE SPECIFIED)		 4 THOMAS, IRVINE, CA. 92618 TEL: (949) 951-8808 FAX: (949) 951-3974	
DECIMALS	ANGULAR		TITLE: PERM-O-PAD
.X ± .1	X° ± 1°		PART NO: 413-030
.XX ± .01			REVISION: C
.XXX ± .005		CAGE CODE : 32559	SHEET # 1 OF 1
DESIGNED: Shane Irving	DATE: 05/12/98	CAD GENERATED DOCUMENT. DO NOT MEASURE DRAWING.	
CHECKED: D. Green	DATE: 02/20/04		