

4

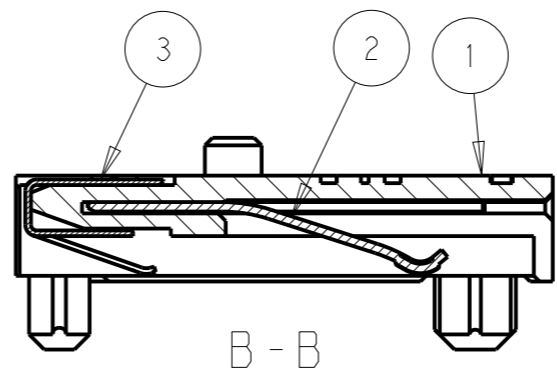
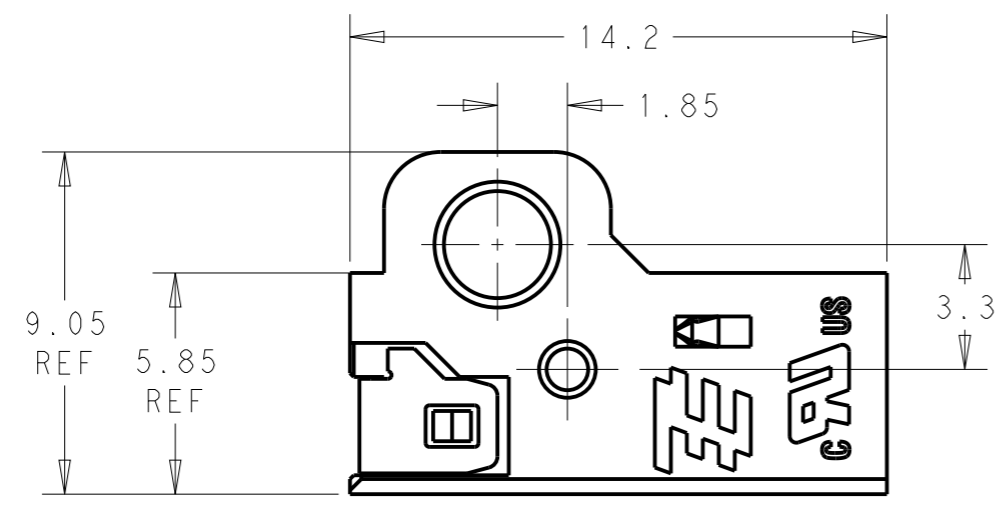
3

2

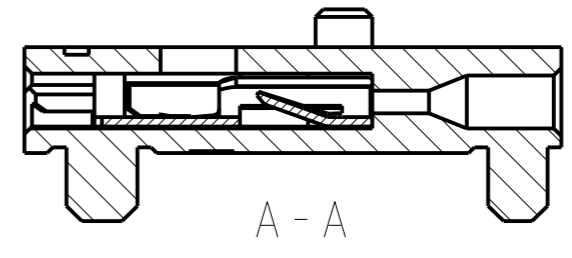
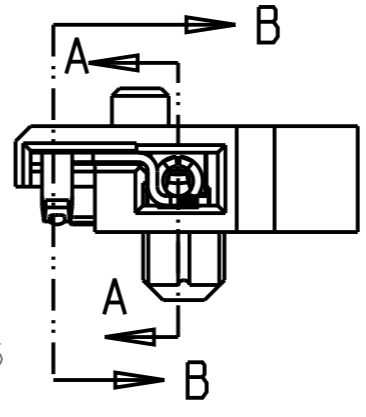
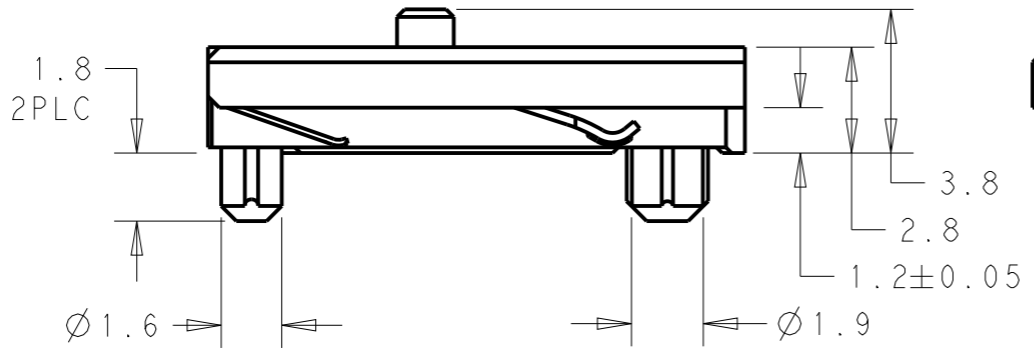
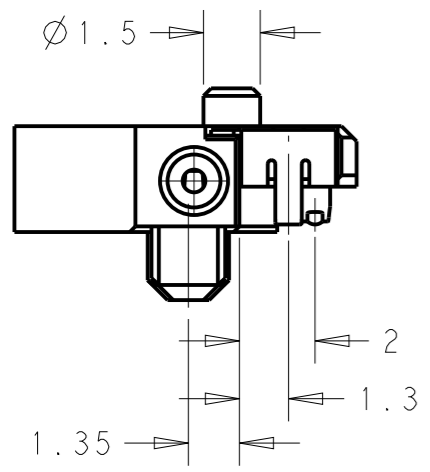
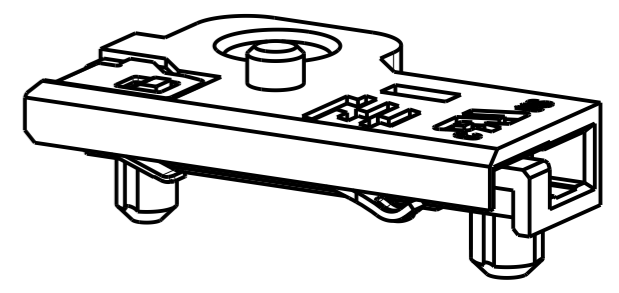
1

THIS DRAWING IS UNPUBLISHED. RELEASED FOR PUBLICATION 20
 © COPYRIGHT 20 BY - ALL RIGHTS RESERVED.

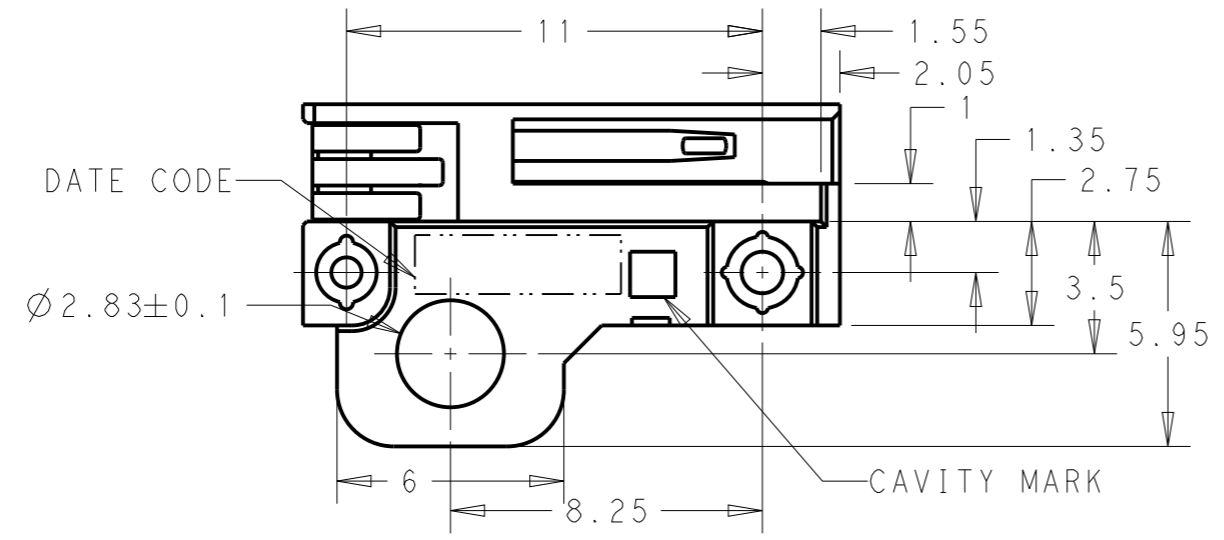
LOC	DIST	REVISIONS			
P	LTR	DESCRIPTION	DATE	DWN	APVD
J	-	C	REVISD PER ECO-13-011400	15JUL2013	KH PO
		D	REVISD(ECR-14-000923)	22JAN2014	T.N N.Y



2134318-1:AS SHOWN



← WIRE INSERTION DIRECTION




STAINLESS STEEL	SPRING PLATE	③
COPPER ALLOY LED MODULE CONTACT AREA : GOLD PLATED ALL OVER UNDER NICKEL PLATED	CONTACT	②
LCP	HOUSING	①
MATERIAL & FINISH	NAME	ITEM

- 1. APPLICABLE WIRES : AWG24 SOLID (Sn COATING)
INSULATION DIAMETER : Ø1.35MAX
- 2. APPLICABLE SCREW : M2.6
- 3. SCREW TIGHTENING TORQUE : 18cN-m MAX
- 4. ABOUT HOUSING VISUAL STANDARD : TO CONFORM TYCO ELECTRONICS CORPORATION INTERNAL RULE.

THIS DRAWING IS A CONTROLLED DOCUMENT.

DIMENSIONS:	TOLERANCES UNLESS OTHERWISE SPECIFIED:
mm	±0.15
	Ø PLC ±
	1 PLC ±0.5
	2 PLC ±0.13
	3 PLC ±0.013
	4 PLC ±0.000
	ANGLES ±2
MATERIAL	FINISH
SEE TABLE	-

DWN KIRAN HOLAL 11JUL2013	 TE Connectivity	NAME LUMAWISE LED HOLDER TYPE LUMIPACK N1	RESTRICTED TO
CHK OTT PETER 11JUL2013			
APVD OTT PETER 11JUL2013			
PRODUCT SPEC			
APPLICATION SPEC	SIZE	CAGE CODE	DRAWING NO
WEIGHT	A3	00779	C-2134318
Customer Drawing	SCALE	SHEET	REV
	5:1	1 OF 2	D

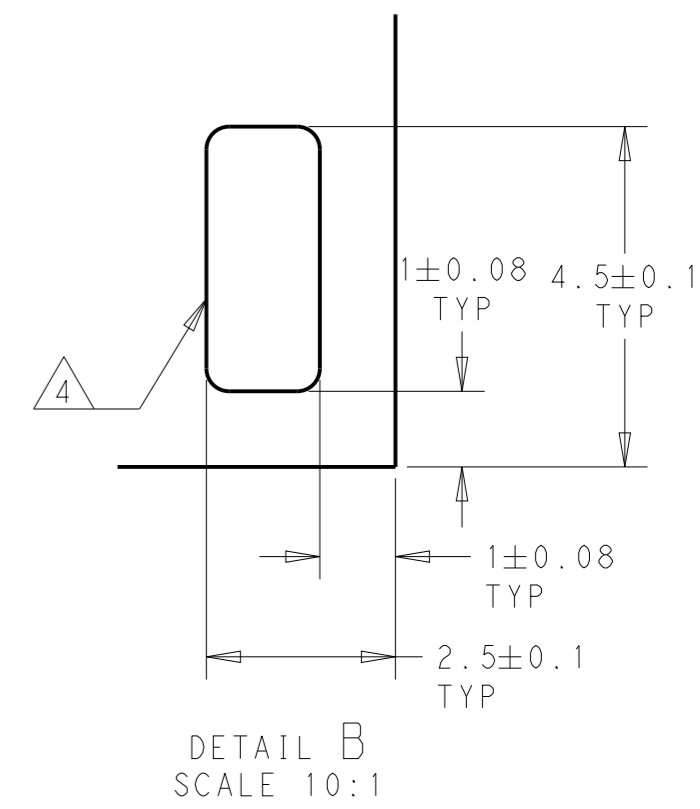
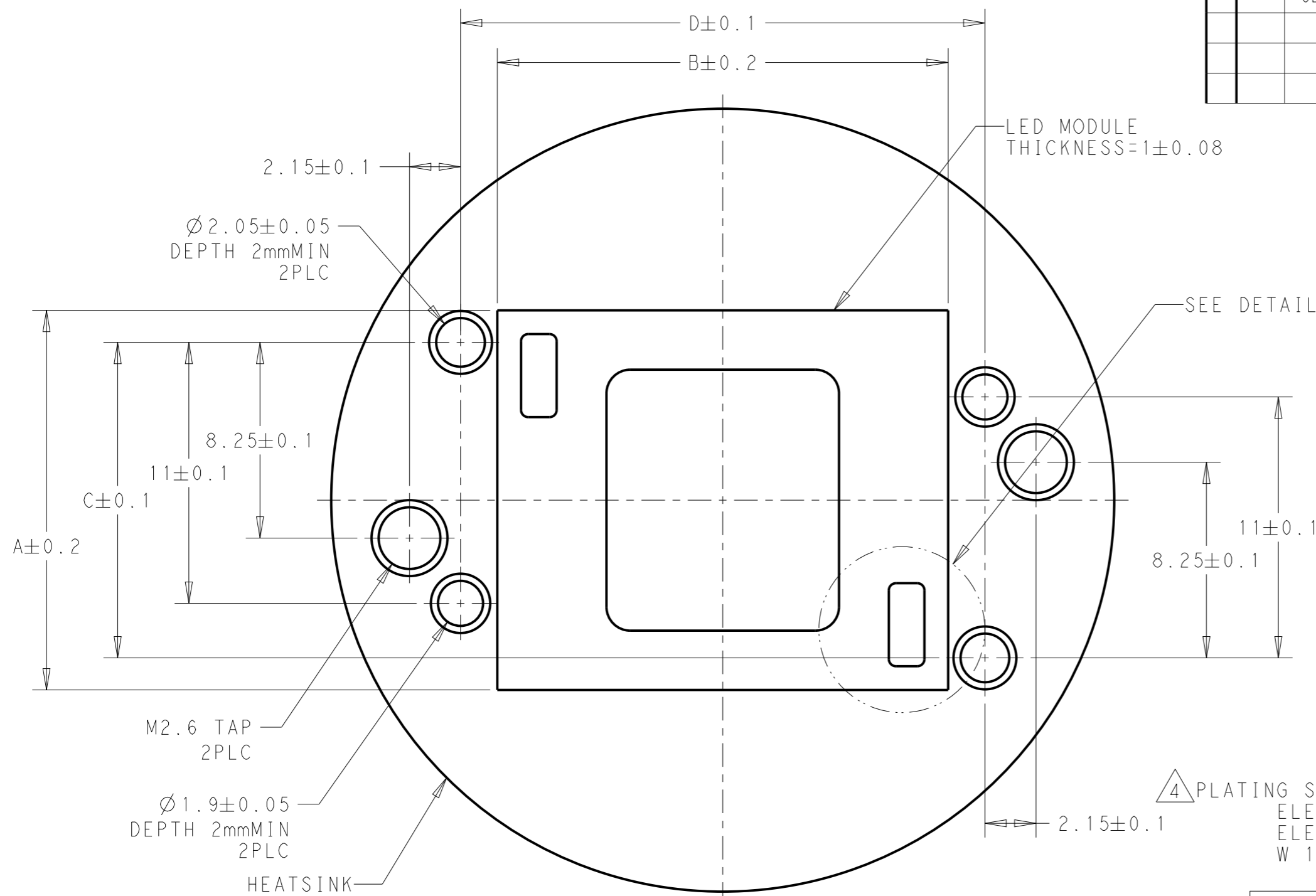
THIS DRAWING IS UNPUBLISHED.

RELEASED FOR PUBLICATION

20

© COPYRIGHT 20 BY - ALL RIGHTS RESERVED.

LOC	DIST	REVISIONS			
P	LTR	DESCRIPTION	DATE	DWN	APVD
J	-	SEE SHEET 1	-	-	-



4 PLATING SPEC
 ELECTROLESS Au PLATING 0.5µmMIN
 ELECTROLESS Ni PLATING 5µm (UNDER PLATING)
 W 10µm (UNDER PLATING)

LED MODULE & HEATSINK RECOMMEND DIMENSION

22.1	13.3	19	16	1619 TYPE
18.1	9.3	15	12	1215 TYPE
D	C	B	A	LED MODULE TYPE

THIS DRAWING IS A CONTROLLED DOCUMENT.		DWN	STE TE Connectivity	
DIMENSIONS: mm		CHK		
TOLERANCES UNLESS OTHERWISE SPECIFIED: ±0.15		APVD	NAME LUMAWISE LED HOLDER TYPE LUMIPACK N1	
0 PLC ±		PRODUCT SPEC	SIZE CAGE CODE DRAWING NO RESTRICTED TO	
1 PLC ±0.5		APPLICATION SPEC	A300779 C-2134318	
2 PLC ±0.13		WEIGHT	SCALE 5:1 SHEET 2 OF 2 REV D	
3 PLC ±0.013		Customer Drawing		
4 PLC ±0.0001				
ANGLES ±2				
FINISH -				
MATERIAL SEE TABLE				