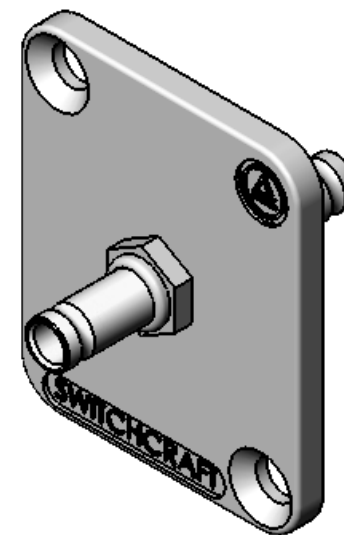


**RECOMMENDED
PANEL CUT-OUT**



NOTES:

1. ELECTRICAL SPECIFICATIONS:

IMPEDANCE: 75 Ω
FREQUENCY RANGE: 0-3 GHz
W/S VOLTAGE: 250 Vrms
INSULATION RESISTANCE: 1 G Ω min.
CONTACT RESISTANCE: 30 m Ω max. (Initial)
INSERTION LOSS: -1.0 dB max.
RETURN LOSS: per SMPTE 424 M

2. MECHANICAL SPECIFICATIONS:

OPERATING TEMPERATURE: -40°C to +85°C
LIFE: 500 cycles min.

3. MATERIAL:

FLANGE: ZINC ALLOY
SHELLS, MOUNTING NUT: COPPER ALLOY, NICKEL PLATED
CONTACT: COPPER ALLOY, GOLD PLATED
INSULATORS: THERMOPLASTIC

4. FOR FLANGE MOUNTING SCREWS TO BE SHIPPED WITH ASSEMBLY, ADD THE SUFFIX "PKG" TO THE PART NUMBER.

5. DIMENSIONS SHOWN FOR REFERENCE ONLY

6. THIS PRODUCT IS RoHS COMPLIANT

PART NUMBER	FLANGE FINISH
EHDIN1023X2	NICKEL
EHDIN1023X2B	BLACK

CUSTOMER DRAWING

REV	ECO NUMBER	DATE	BY	APVD
A	26775	06/09/11	BL	TJK
REVISIONS				

UNLESS OTHERWISE SPECIFIED

1. ALL DIMENSIONS IN INCHES
- TWO PLACE DECIMALS ± 0.02
- THREE PLACE DECIMALS ± 0.005

DO NOT SCALE DRAWING

THIS DRAWING DESCRIBES A DESIGN CONSIDERED PROPRIETARY IN NATURE, DEVELOPED AND MANUFACTURED BY SWITCHCRAFT INC. AND IS RELEASED ON A CONFIDENTIAL BASIS FOR IDENTIFICATION PURPOSES ONLY.

SIZE	WIDTH	MULT	LBS/M	TEMPER
FINISH				MATERIAL
SPEC No.				SPEC No.
FIRST USED ON		SCALE 2:1		
DATE DRAWN	BY	CHKD	APVD	
2/17/11	PNK	PNK 2/17/11	SRC 2/17/11	
NAME			PART No.	REV
EH SERIES DIN 1.0/2.3 FEED-THRU, RoHS			EHDIN1023X2	A

SolidWorks CAD File **B**

Mouser Electronics

Authorized Distributor

Click to View Pricing, Inventory, Delivery & Lifecycle Information:

[Switchcraft:](#)

[EHDIN1023X2](#) [EHDIN1023X2B](#) [EHDIN1023X2BPKG](#) [EHDIN1023X2PKG](#)