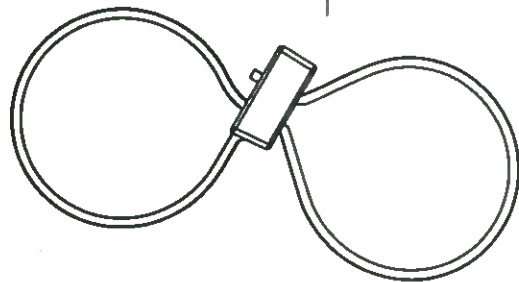
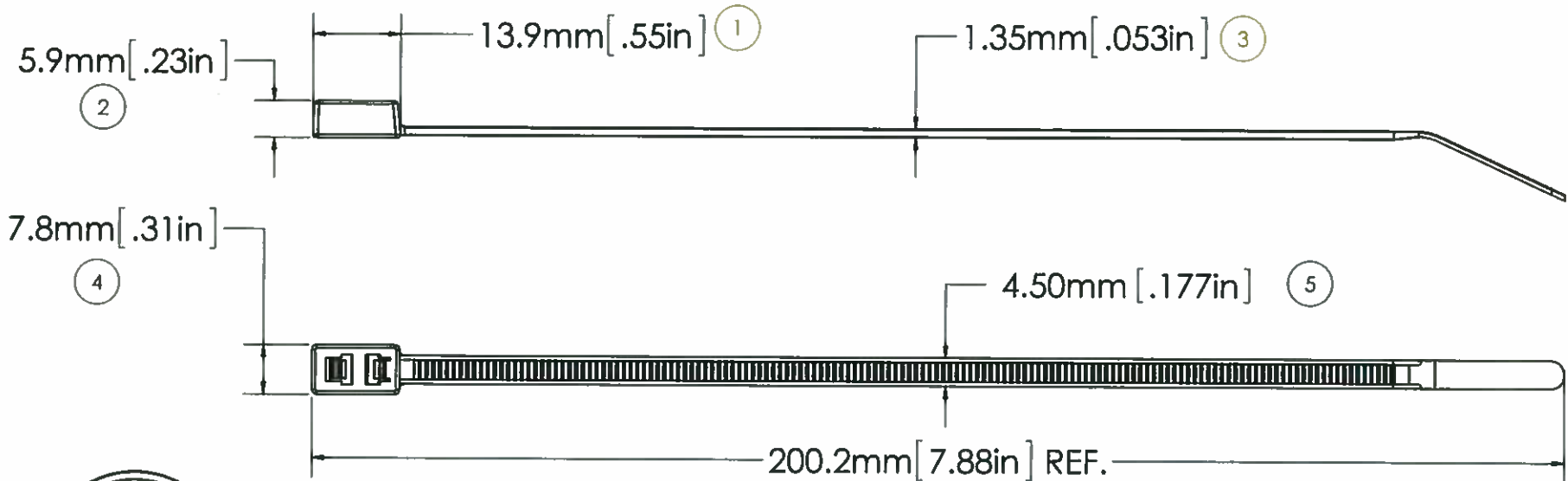


AVERY DENNISON MARKETING SPECIFICATION

| HISTORY | | |
|---------|---------|---|
| REV. | DATE | DESCRIPTION |
| B | 3.10.15 | ADDED MIN INSTALL TEMP; UL LOGO AND 5000 PER CASE CHG LOOP TENSILE TO NEWTONS |

THE SUBJECT MATTER DISCLOSED HEREIN EMBODIES PROPRIETARY INFORMATION WHICH IS THE CONFIDENTIAL PROPERTY OF THE AVERY DENNISON CO. NONE OF WHICH SHALL BE COPIED, REPRODUCED, DISCLOSED TO OTHERS, PUBLISHED OR USED IN WHOLE OR IN PART, FOR ANY PURPOSE OTHER THAN THAT FOR WHICH IT IS BEING MADE AVAILABLE WITHOUT THE EXPRESS ADVANCE WRITTEN PERMISSION OF A DULY AUTHORIZED AGENT OF THE COMPANY. THIS DOCUMENT IS THE PROPERTY OF THE AVERY DENNISON CO. AND IS TO BE RETURNED TO THE COMPANY ON DEMAND.



ASSEMBLED VIEW



| | |
|--------------------------|---|
| LOOP TENSILE STRENGTH: | 50 LBF / 220N MIN. PER AS-23190 |
| OPERATING TEMP RANGE: | -40°F (-40°C) TO 221°F (105°C) |
| MIN. INSTALLATION TEMP.: | 32°F(0°C) |
| WEIGHT: | 0.04864 OZ./1.43 GRAMS |
| BUNDLE DIAMETER: | Ø.63" MIN TO: ONE LOOP UP TO Ø 1.5" OR TWO LOOPS UP TO Ø 0.75" EACH |
| TOOL: | 12001 - HAND INSTALLATION TOOL 12500 - PNEUM. INSTALLATION TOOL |
| TOOL TENSION SETTING: | 6 - 8 |
| PACKAGING: | 100/BAG 5000/CASE |

NOTE: THESE CABLE TIES ARE PLENUM RATED AND HAVE A FLAMMABILITY RATING OF V-2

APPROVALS: ENG. APPR. *[Signature]* 3-13-15
Q.A. APPR. *[Signature]* 3-13-15

| | | |
|---------------------------|--------------|-------------------------------|
| SPECIFIED TOLERANCES ARE: | | MATERIAL |
| .XX ± .03 IN. | .X ± .7 MM | NYLON 6/6 |
| .XXX ± .01 IN. | .XX ± .25 MM | COLOR |
| ANGULAR: ± 2° | | BLACK, HEAT STABILIZED |

| | | |
|--|-------------|---|
| AVERY DENNISON <small>FASTENER DIVISION FITCHBURG, MA 01420 U.S.A. TEL. 1-800-225-5913 FAX. 978-353-8157</small> | DESCRIPTION | 7.5" CABLE TIE, STD, DOUBLE HEADED |
| | STOCK NO. | 10428-0 |
| | REV. | B |

5 4 3 2 1