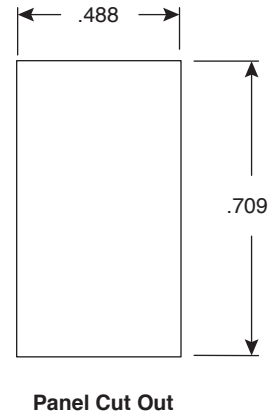
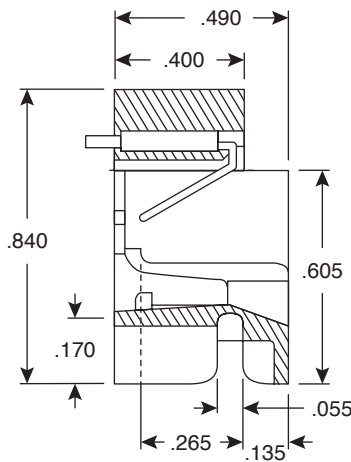
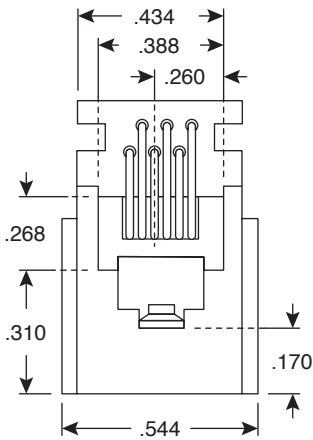
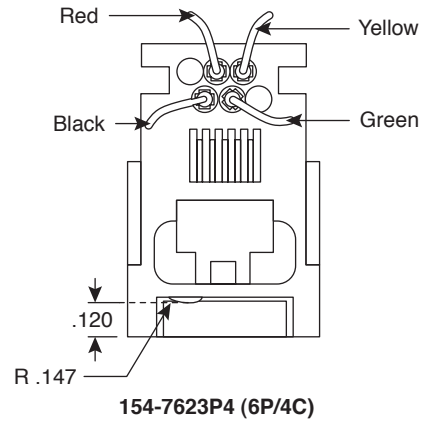
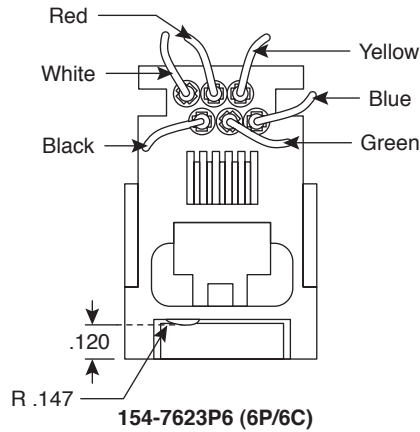
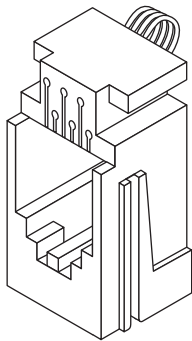


# Modular Jacks

154-7623P4, 154-7623P6

**KOBI**CONN

Modular Jacks



Dimensions: In.

## SPECIFICATIONS

<b>Type:</b>	Modular Jacks with 4" Leads
<b>Housing:</b>	ABS Resin, Gray
<b>Contact:</b>	ø.45mm (ø.018"), Phosphor Bronze Alloy
<b>Wire:</b>	26AWG, PVC Insulation
<b>Wire O.D.:</b>	1.105mm
<b>Insulation Resistance:</b>	10MΩ min.
<b>Contact Resistance:</b>	20mΩ max.
<b>Dielectric Strength:</b>	1,000Vrms 60Hz
<b>Retention Strength:</b>	7.7kgs Between Jack and Plug
<b>Crimp Tensile Strength:</b>	2.27kgs

Date Last Revised: 10-19-05

Available from Mouser Electronics  
1-800-346-6873  
www.mouser.com

KC-300614

154-7623P4, 154-7623P6