

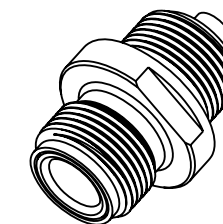
NOTES:

1. MATERIALS AND FINISHES (PLATING THICKNESS IN MICRO-INCHES):  
 TYPE N BODY - BRASS, NICKEL PLATING  
 MCX BODY - BRASS, GOLD PLATING  
 CONTACT - BERYLLIUM COPPER, GOLD PLATING  
 INSULATOR - PTFE, NATURAL  
 O-RING - SILICONE RUBBER, RED
2. ELECTRICAL:  
 A. IMPEDANCE: 50 OHM  
 B. FREQUENCY RANGE: DC TO 6 GHz  
 C. VSWR (RETURN LOSS): 1.30 (17.7 dB), MAX.  
 D. INSERTION LOSS: 0.2 dB AT 6 GHz  
 E. DIELECTRIC WITHSTANDING VOLTAGE: 1000 VRMS, MIN.
3. MECHANICAL:  
 A. DURABILITY: 100 CYCLES MIN.  
 B. TEMPERATURE RANGE: -40° C TO +125° C  
 C. WATER IMMERSION: IP67
4. PACKAGING:  
 A. QUANTITY: SINGLE PACK  
 B. BAG MARKING: AMPHENOL RF  
 APH-NJ-MCXJ  
 DATE CODE

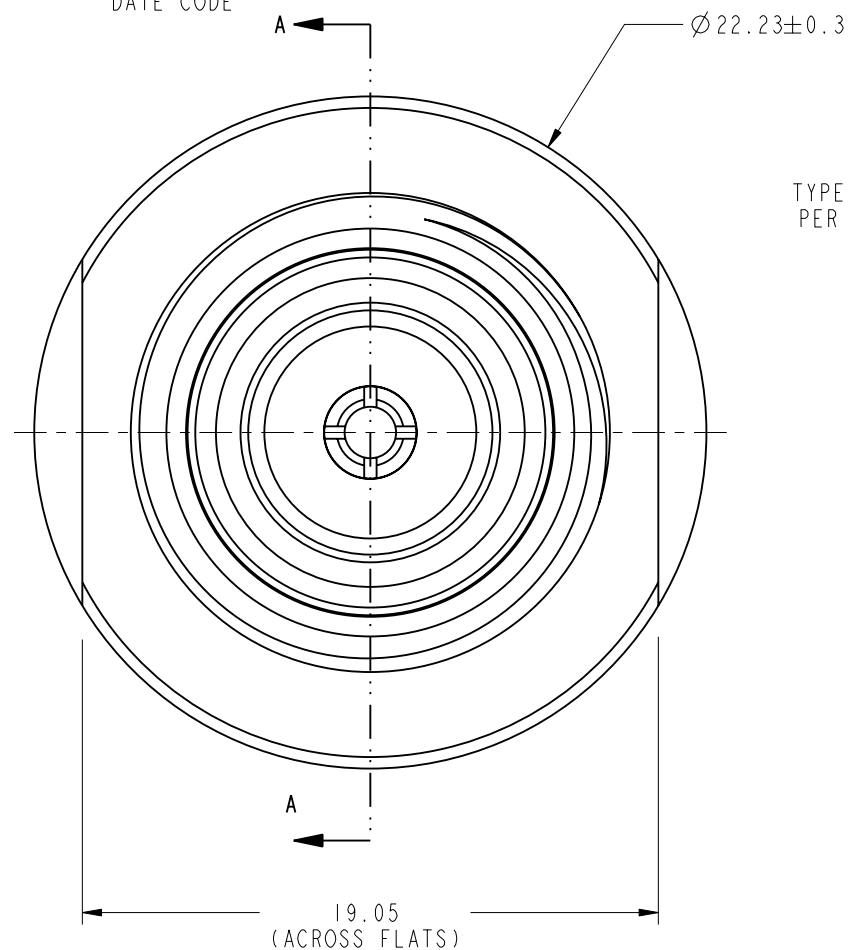
THIRD ANGLE PROJ.

REVISIONS

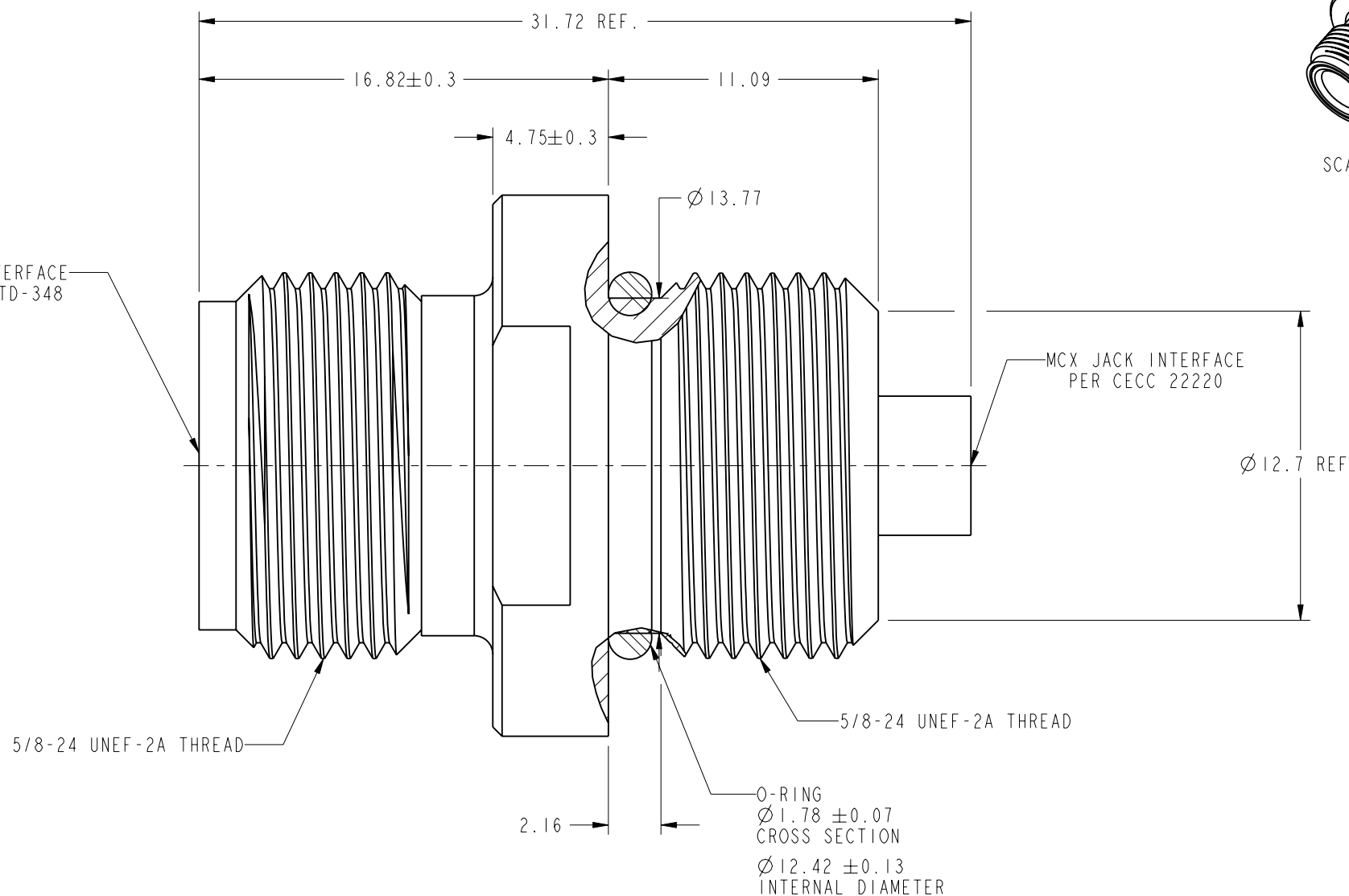
REV	DESCRIPTION	DATE	ECO	APPR
A	RELEASE TO MFG.	14-Aug-07	47074	RY
B	SEE SHEET 1 \RD-DM07091901R	20-Sep-07	-	Angela
C	SEE SHEET 1 PER RD-DM08080601B	13-Aug-08	-	S.H
D	SEE SHEET 1 / RD-DM11112901T2	30-Jan-12	48870	S.H
E	ADDED INSERTION LOSS NOTE & SYNCHED DRAWING	25-Nov-13	49615	SH
F	ADDED O-RING MATERIAL	26-May-14	49960	JTS



SCALE 1.000



TYPE N INTERFACE PER MIL-STD-348



**CUSTOMER OUTLINE DRAWING**  
 ALL OTHER SHEETS ARE FOR INTERNAL USE ONLY

UNLESS OTHERWISE SPECIFIED, DIMENSIONS ARE IN METRIC AND TOLERANCES ARE: < 0.5mm ± 0.05mm    0.5 - 6mm ± 0.1mm    6 - 30mm ± 0.2mm    30 - 120mm ± 0.3mm    ANGLES ± 1°	MATERIAL	DRAWN J. CHEN	DATE 26-May-14	TITLE TYPE N JACK TO MCX JACK ADAPTER SEALED (IP 67)	Amphenol RF www.amphenolrf.com
	NOTICE - These drawings, specifications, or other data (1) are, and remain the property of Amphenol corp. (2) must be returned upon request; and (3) are confidential and not to be disclosed to any person other than those to whom they are given by Amphenol Corp. the furnishing of these drawings, specifications, or other data by Amphenol Corp., or to any other person to anyone for any purpose is not to be regarded by implication or otherwise in any manner licensing, granting rights to permitting such holder or any other person to manufacture, use or sell any product, process or design, patented or otherwise, that may in any way be related to or disclosed by said drawings, specifications, or other data.	REFERENCE EAR #2115    AND    615X-2286-100	ENGINEER D. HU		
	CONFIGURATION LEVEL: <input type="checkbox"/> <input type="checkbox"/>	APPROVED S. HSIEH	DATE 26-May-14	SCALE: 4.0:1.0    SHEET 2 OF 2	ITEM NO. APH-NJ-MCXJ
	FINISH	CAD FILE		DWG SIZE B    REV F	PART NO. APH-NJ-MCXJ