

Spezifikation für Freigabe / specification for release

Kunde / customer :

Artikelnummer / part number :

7491192912

LF



Bezeichnung :

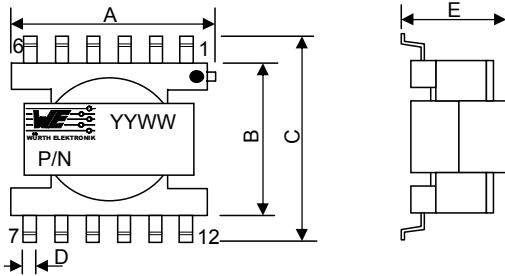
POWER OVER ETHERNET-ÜBERTRAGER WE-PoE

description :

POWER OVER ETHERNET-TRANSFORMER WE-PoE

DATUM / DATE : 2006-08-01

A Mechanische Abmessungen / dimensions :



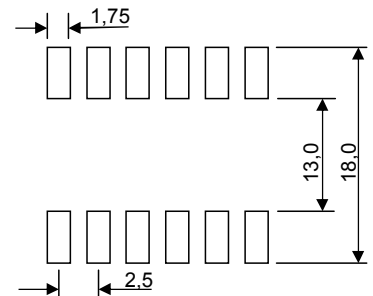
	ER14,5/6	
A	16,3 max.	mm
B	12,0 typ.	mm
C	16,8 max.	mm
D	0,7 ± 0,1	mm
E	7,4 max.	mm

● = Marking Pin 1

B Elektrische Eigenschaften / electrical properties :

Eigenschaften / properties	Testbedingungen / test conditions		Wert / value	Einheit / unit	tol.
Induktivität / inductance	100 kHz / 0,1 V	L_{0N1}	210	μH	$\pm 10\%$
Übersetzungsverhältnis / turns Ratio	N1 : N2 : N3 : N4 : N5	TR	1:0,42:0,12:0,08:0,29		$\pm 3\%$
DC-Widerstand N1 / DC-resistance N1	@ 20°C	$R_{DC N1}$	360	m Ω	max.
DC-Widerstand N2 / DC-resistance N2	@ 20°C	$R_{DC N2}$	250	m Ω	max.
DC-Widerstand N3 / DC-resistance N3	@ 20°C	$R_{DC N3}$	25,0	m Ω	max.
DC-Widerstand N4 / DC-resistance N4	@ 20°C	$R_{DC N4}$	18,0	m Ω	max.
DC-Widerstand N5 / DC-resistance N5	@ 20°C	$R_{DC N5}$	57,0	m Ω	max.
Streuinduktivität N1 / leakage inductance N1	100 kHz / 0,1V	$L_{S N1}$	2,5	μH	max.
Hochspannung / hipot	N1, N2 => N3, N4, N5	HV	1,5	kV	

C Lötpad / soldering spec. :



D Prüfgeräte / test equipment :

WK3260B für/for L

HP 34401 A für/for I_{DC} und/and R_{DC}

E Testbedingungen / test conditions :

Luftfeuchtigkeit / humidity: 33%
Umgebungstemperatur / temperature: +20°C

F Werkstoffe & Zulassungen / material & approvals :

Basismaterial / base material: Ferrit/ ferrite
Spulenkörper / Bobbin: UL-V0
Draht / wire: 2UEWF 155°C or equiv.
Kontaktmaterial/ contact plating: Cu-Ag tinned

G Eigenschaften / general specifications :

Betriebstemp. / operating temperature: -40°C - + 125°C
Umgebungstemp. / ambient temperature: -40°C - + 85°C
Schaltfrequenz / Switching frequency: 200 kHz - 250 kHz
Eingangsspannungsbereich / Input Voltage: 36 - 57 V
Ausgangsdaten / Output data: 12,0V / 0,58A
Co-Planarität / Co-Planarity: < 0,1 mm

Freigabe erteilt / general release:	Kunde / customer	
.....
Datum / date	Unterschrift / signature	
.....	
	Würth Elektronik	
.....
Geprüft / checked	Kontrolliert / approved	
.....	
	Name	Änderung / modification Datum / date
	TBr	Version 3 2006-08-01
	TBr	Version 2 2005-12-13
	TBr	Version 1 2005-06-22

Würth Elektronik eiSos GmbH & Co.KG

D-74638 Waldenburg · Max-Eyth-Straße 1 - 3 · Germany · Telefon (+49) (0) 7942 - 945 - 0 · Telefax (+49) (0) 7942 - 945 - 400
http://www.we-online.com

Spezifikation für Freigabe / specification for release

Kunde / customer :

Artikelnummer / part number :

7491192912

LF



Bezeichnung :

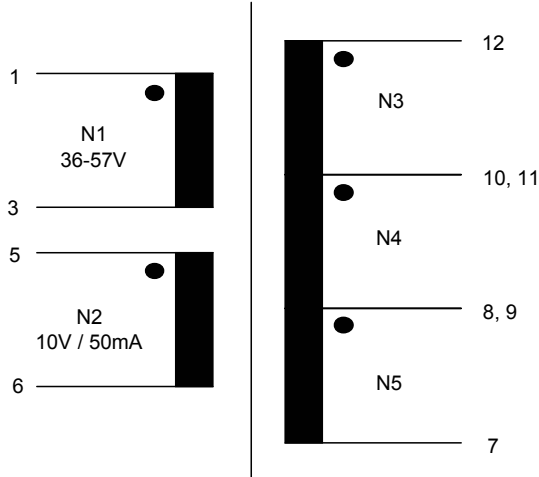
POWER OVER ETHERNET-ÜBERTRAGER WE-PoE

description :

POWER OVER ETHERNET-TRANSFORMER WE-PoE

DATUM / DATE : 2006-08-01

H Schaltbild / Schematics



N3-N5: 12V / 0,58A

N3-N4: 5V

N3: 3,3V

Freigabe erteilt / general release:	Kunde / customer		
.....		
Datum / date	Unterschrift / signature		
	Würth Elektronik		
	TBr	Version 3	2006-08-01
	TBr	Version 2	2005-12-13
	TBr	Version 1	2005-06-22
Geprüft / checked	Kontrolliert / approved		Datum / date
	Name	Änderung / modification	

Würth Elektronik eiSos GmbH & Co.KG

D-74638 Waldenburg · Max-Eyth-Straße 1 - 3 · Germany · Telefon (+49) (0) 7942 - 945 - 0 · Telefax (+49) (0) 7942 - 945 - 400
<http://www.we-online.com>

Spezifikation für Freigabe / specification for release

Kunde / customer :

Artikelnummer / part number :

7491192912

LF



Bezeichnung :

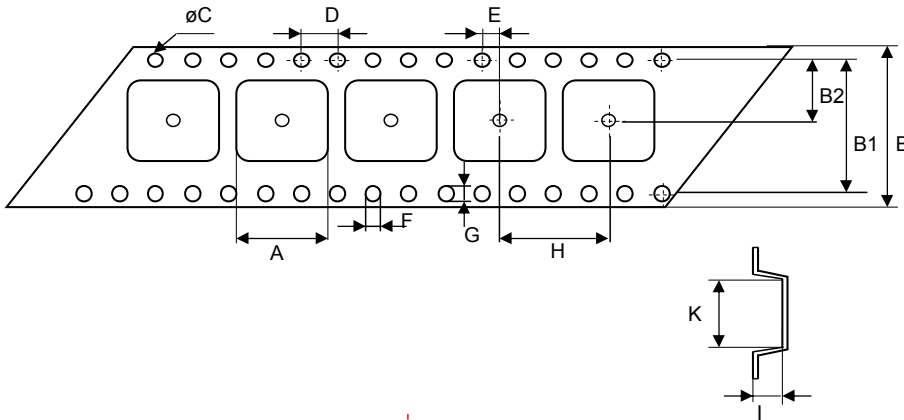
POWER OVER ETHERNET-ÜBERTRAGER WE-PoE

description :

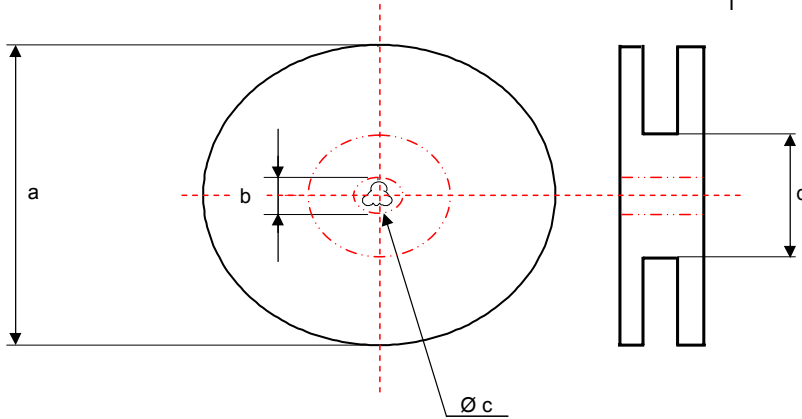
POWER OVER ETHERNET-TRANSFORMER WE-PoE

DATUM / DATE : 2006-08-01

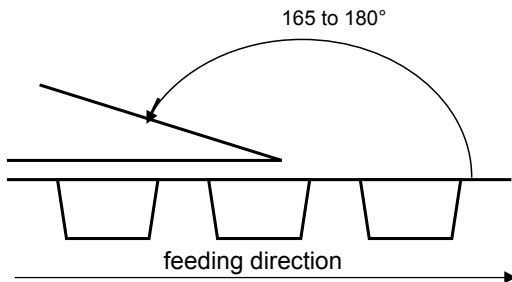
I Rollenspezifikation / tape and reel specification :



Gurtspezifikation / Tape specification:		
A	15,4 ± 0,1	mm
B	32,0 ± 0,3	mm
B1	28,4 ± 0,1	mm
B2	14,2 ± 0,1	mm
C	1,50 ^{+0,1} - 0,0	mm
D	4,00 ± 0,1	mm
E	2,00 ± 0,1	mm
F	1,50 ^{+0,1} - 0,0	mm
G	1,70 ^{+0,15} - 0,05	mm
H	20,0 ± 0,1	mm
I	7,50 ± 0,1	mm
K	16,6 ± 0,1	mm



Rollenspezifikation / Reel specification:		
a	330,0 ± 2,0	mm
b	21,00 ± 0,8	mm
c	13,00 ± 0,5	mm
d	100,0 ± 1,0	mm



The force for tearing off cover tape is 10 to 130 grams in arrow direction

Freigabe erteilt / general release:	Kunde / customer		
Datum / date	Unterschrift / signature		
	Würth Elektronik		
Geprüft / checked	Kontrolliert / approved		
	TBr	Version 3	2006-08-01
	TBr	Version 2	2005-12-13
	TBr	Version 1	2005-06-22
	Name	Änderung / modification	Datum / date

This electronic component has been designed and developed for usage in general electronic equipment. Before incorporating this component into any equipment where higher safety and reliability is especially required or if there is the possibility of direct damage or injury to human body, for example in the range of aerospace, aviation, nuclear control, submarine, transportation, (automotive control, train control, ship control), transportation signal, disaster prevention, medical, public information network etc, Würth Elektronik eiSos GmbH must be informed before the design-in stage. In addition, sufficient reliability evaluation checks for safety must be performed on every electronic component which is used in electrical circuits that require high safety and reliability functions or performance.

Würth Elektronik eiSos GmbH & Co.KG

D-74638 Waldenburg · Max-Eyth-Straße 1 - 3 · Germany · Telefon (+49) (0) 7942 - 945 - 0 · Telefax (+49) (0) 7942 - 945 - 400
http://www.we-online.com