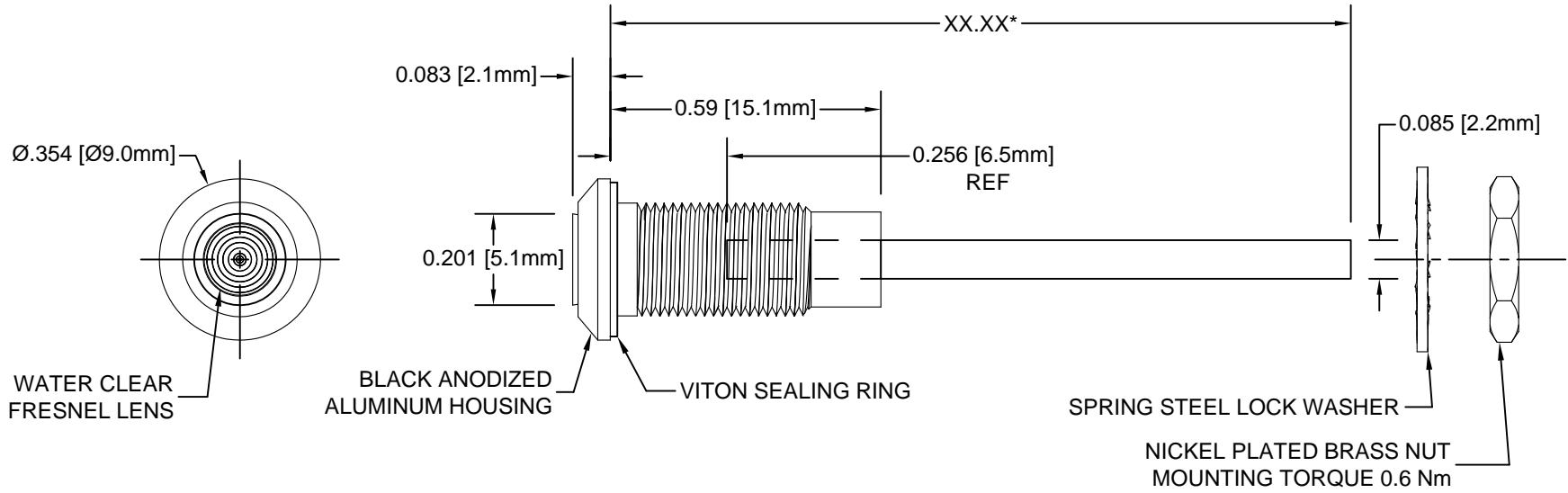
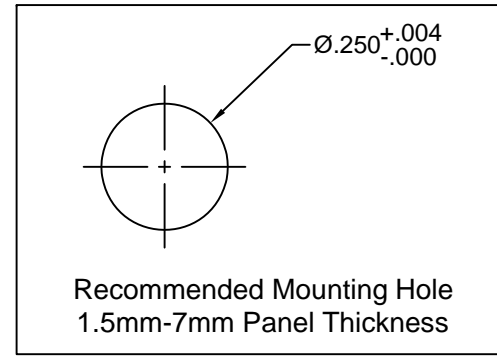


REV.	DESCRIPTION	DATE	APPROVED
B	Engineering Release	03/15/12	T. Y.
C	Added Note 5	12/10/12	T. Y.
D	Corrected Length Call Out & Updated Note 5	08/23/16	J. C.



*Length "XX.XX"	Tolerance
1.00" ~ 16.00"	±0.05"
16.25" ~ 40.00"	±0.15"
40.25" ~ 80.00"	±0.30"
80.25" ~ 500.0"	±0.5%

EXAMPLE:
PM3-A1522-6.50
 Series Fiber Length in 0.25" Increments



- NOTES:**
1. SEALED TO IP67 RATING
 2. ROHS COMPLIANT
 3. MOUNTING HARDWARE SHIPPED NON-ASSEMBLED
 4. INSERT VITON RING ON PANEL MOUNT PRIOR TO PANEL INSERTION
 5. ALLOWABLE CABLE CUT LENGTH IS UP TO 3 DECIMAL PLACES

STANDARD TOLERANCE (UNLESS OTHERWISE SPECIFIED)		BIVAR [®] 4 THOMAS, IRVINE, CA. 92618 TEL: (949) 951-8808 FAX: (949) 951-3974	
DECIMALS	ANGULAR		
.X ± .1	X° ± 1°	TITLE: IP67 Rated Metal Panel Mount Flexible Light Pipe Indicator	
.XX ± .02			
.XXX ± .010			
DESIGNED: T. Yin	DATE: 03/15/12	PART NO: PM3-A1522-XX.XX	REVISION: D
CHECKED: B. Oliver	DATE: 03/15/12	CAGE CODE : 32559	SHEET # 1 OF 1
CAD GENERATED DOCUMENT. DO NOT MEASURE DRAWING.			