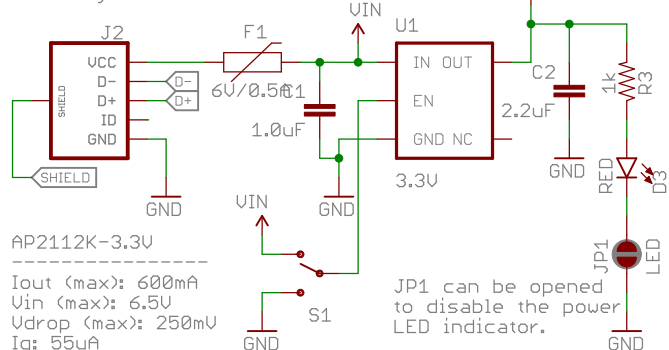


USB / Voltage Regulator

VIN Range: 3.5-6.0V



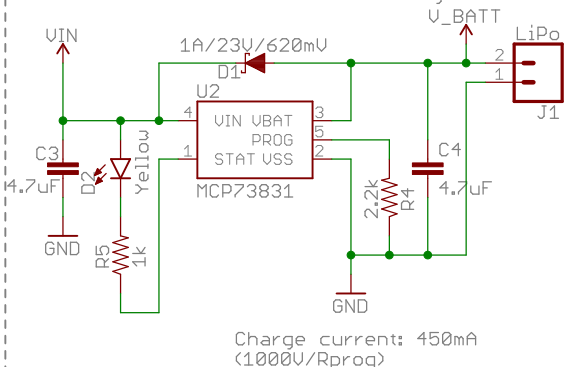
AP2112K-3.3V

Iout (max): 600mA
Vin (max): 6.5V
Vdrop (max): 250mV
Iq: 55uA

JP1 can be opened to disable the power LED indicator.

LiPo Charger

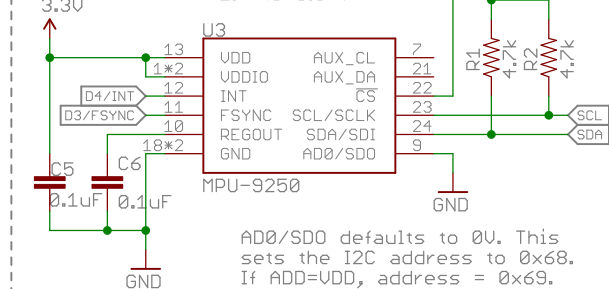
LiPo Range: 3.6-4.2V



Charge current: 450mA
(1000V/Rprog)

MPU-9250 9DoF

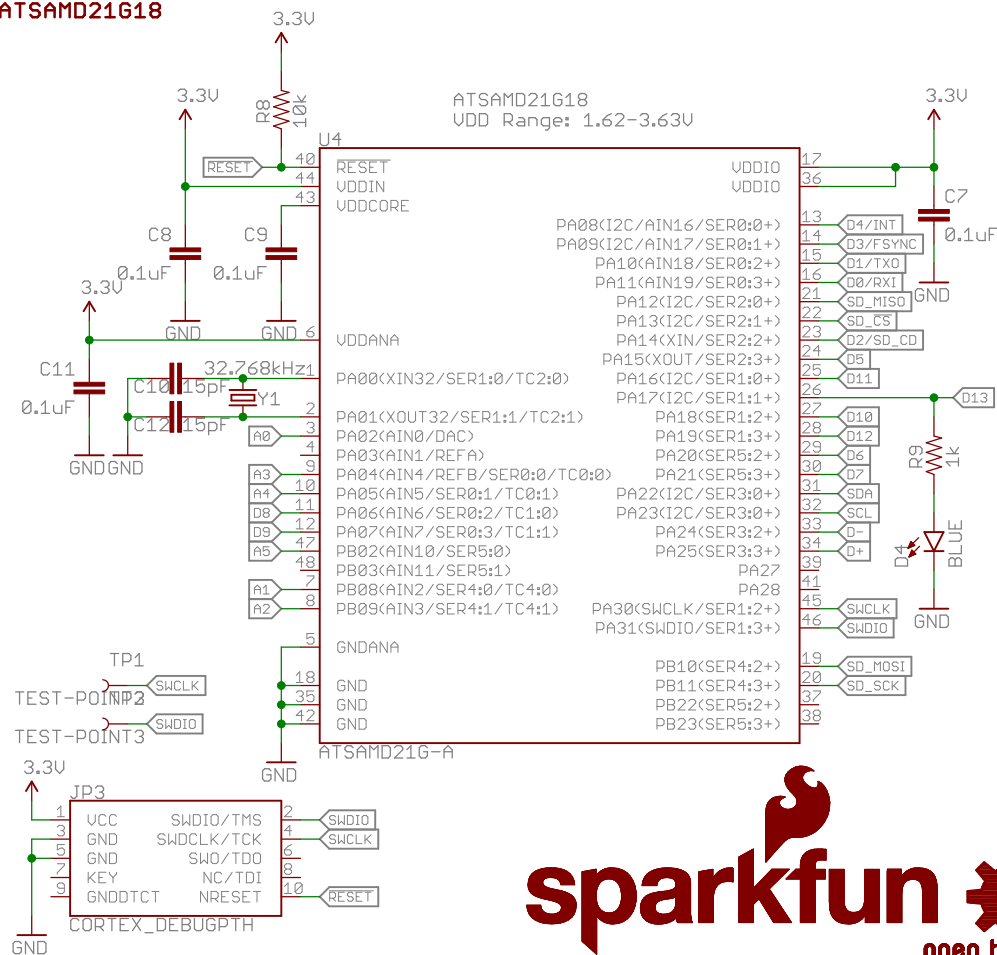
MPU9250 VDD:
2.4 to 3.6 V



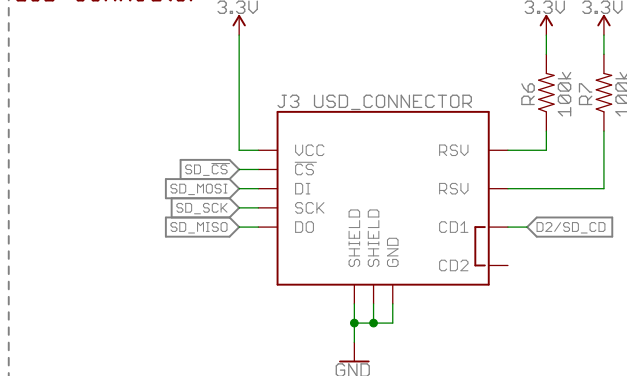
AD0/SDO defaults to 0V. This sets the I2C address to 0x68. If ADD=VDD, address = 0x69.

ATSAMD21G18

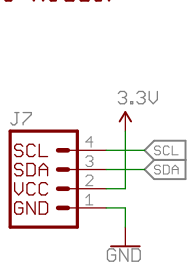
ATSAMD21G18
VDD Range: 1.62-3.63V



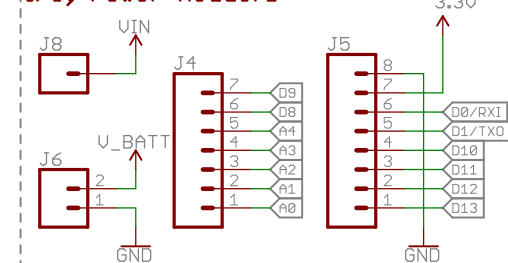
uSD Connector



I2C Header



I/O, Power Headers



Released under the Creative Commons Attribution Share-Alike 4.0 License
<https://creativecommons.org/licenses/by-sa/4.0/>

TITLE: sparkfun-9dof-razor-imu



Design by: Jim Lindblom

REV:
v30

based on the SparkFun 9DoF Razor

Date: 9/19/2016 11:54 AM

Sheet: 1/1

