



Main

| | |
|-------------------------------|--|
| Range of product | OsiSense XU |
| Series name | Application packaging |
| Electronic sensor type | Photo-electric sensor |
| Product specific application | Luminescence |
| Sensor name | XU5 |
| Sensor design | M18 |
| Detection system | Diffuse |
| [Sn] nominal sensing distance | 0.79 in (20 mm) spot Ø 3 x 1 mm for colour mark reading 0...3.15 in (0...80 mm) in diffuse mode |
| Material | Metal |
| Type of output signal | Discrete |
| Supply circuit type | DC |
| Wiring technique | 3-wire |
| Discrete output type | PNP |
| Discrete output function | 1 NO |
| Electrical connection | 1 male connector M12, 4 pins |
| Emission | Ultra-violet (transmission frequency = 370 nm) |

Complementary

| | |
|----------------------------|---|
| Enclosure material | Nickel plated brass |
| Lens material | PMMA |
| Output type | Solid state |
| Output function governance | Light |
| Add on output | Without |
| Status LED | 1 LED (green) output state |
| [Us] rated supply voltage | 12...24 V DC with reverse polarity protection |
| Supply voltage limits | 10...30 V DC |
| Switching capacity in mA | <= 100 mA (reverse polarity, overload and short-circuit protection) |
| Switching frequency | <= 1000 Hz |
| Voltage drop | <= 1.5 V (closed state), PNP |
| Current consumption | <= 20 mA (no-load) |
| Time delay range | 20 ms off-delay activation/deactivation by cabling method delay |
| Delay first up | <= 100 ms |
| Delay response | <= 0.5 ms |
| Delay recovery | <= 0.5 ms |
| Setting-up | Sensitivity adjustment with potentiometer |
| Diameter | 0.71 in (18 mm) |
| Length | 3.74 in (95 mm) |
| Product weight | 0.17 lb(US) (0.075 kg) |

Environment

| | |
|---------------------------------------|---|
| product certifications | CE CSA UL |
| ambient air temperature for operation | -13...131 °F (-25...55 °C) |
| ambient air temperature for storage | -40...158 °F (-40...70 °C) |
| vibration resistance | 7 gn, amplitude = +/- 0.6 mm (f = 10...55 Hz) conforming to IEC 60068-2-6 |
| shock resistance | 30 gn (duration = 11 ms) conforming to IEC 60068-2-27 |

The information provided in this documentation contains general descriptions and/or technical characteristics of the performance of the products contained herein. This documentation is not intended as a substitute for and is not to be used for determining suitability or reliability of these products for specific user applications. It is the duty of any such user or integrator to perform the appropriate and complete risk analysis, evaluation and testing of the products with respect to the relevant specific application or use thereof. Neither Schneider Electric Industries SAS nor any of its affiliates or subsidiaries shall be responsible or liable for misuse of the information contained herein.

Offer Sustainability

Not Green Premium product

Not Green Premium product

Compliant - since 1149 - Schneider Electric declaration of conformity

Compliant - since 1149 - Schneider Electric declaration of conformity

Reference not containing SVHC above the threshold

Reference not containing SVHC above the threshold

WARNING: This product can expose you to chemicals including:

WARNING: This product can expose you to chemicals including:

Diisononyl phthalate (DINP), which is known to the State of California to cause cancer, and

Diisononyl phthalate (DINP), which is known to the State of California to cause cancer, and

Di-isodecyl phthalate (DIDP), which is known to the State of California to cause birth defects or other reproductive harm.

Di-isodecyl phthalate (DIDP), which is known to the State of California to cause birth defects or other reproductive harm.

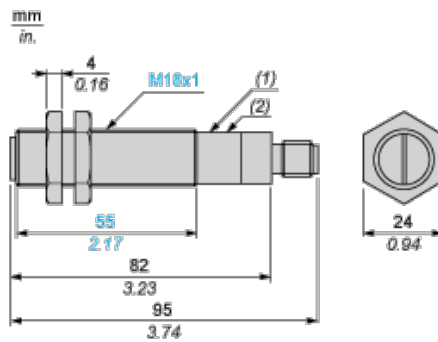
For more information go to www.p65warnings.ca.govFor more information go to www.p65warnings.ca.gov

Contractual warranty

Warranty period

18 months

Dimensions



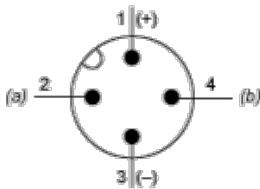
- (1) Potentiometer
(2) Green LED

Mounting and Clearance

Fixing nut tightening torque: < 15 N.m

Wiring Schemes

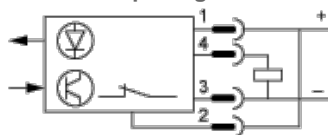
Connector Scheme



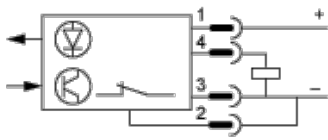
- (a) Time delay: "OFF delay" of output signal: - no time delay: connect contact 2 to (+), - 20 ms time delay: connect contact 2 to (-)
(b) Output

PNP Output (3-wire Discontinue Current)

Without output signal time delay

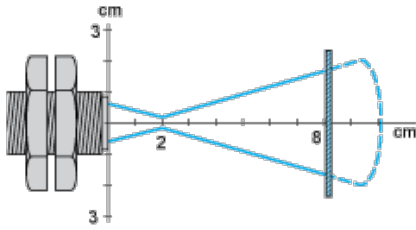


With output signal time delay (20 ms)



Curves

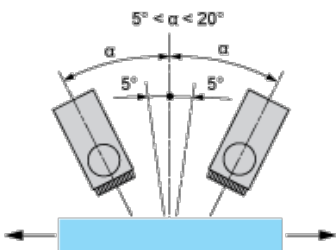
Detection Curves



Object 5 x 5 cm, white 90 %

Object 5 x 5 cm, white 90 %

Vertical Inclination



An angle of 5 to 10° from vertical is recommended for reflective or transparent surfaces Maximum vertical inclination: 20°