

## Single Pedal Without Cover

### LATCHING

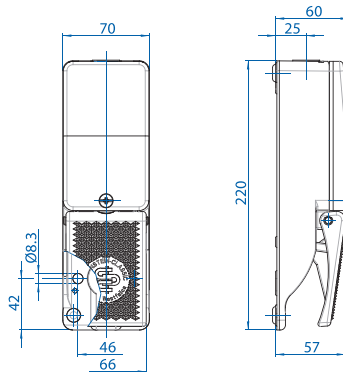
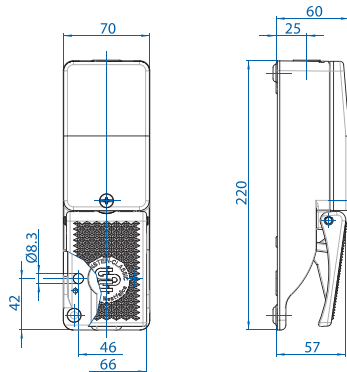


Latching Operation - Push pedal to change contact state. When you release the pedal, the contacts remain in that state. Push again to return to original state.

### ANALOG OUTPUT



Analog Output Operation - As the pedal is depress, voltage or amperage (depending on model) is increase. Features an additional programmable NP NO signaling contact that activates at a preset level.



Single pedal foot switch F1		
Article number	Designation	Switching contacts
		Pedal 1
616.1000.676	F1-A2Y	2NC
606.1100.001	F1-U1Y	1NC / 1NO

Single pedal foot switch F1		
Article number	Designation	Output Range
616.1500.723	F1-AU0-5	0 - 5 V
616.1500.724	F1-AU0-10	0 - 5 V
616.1500.725	F1-AI0-20	0 - 20 mA
616.1500.726	F1-AI4-20	4 - 20 mA